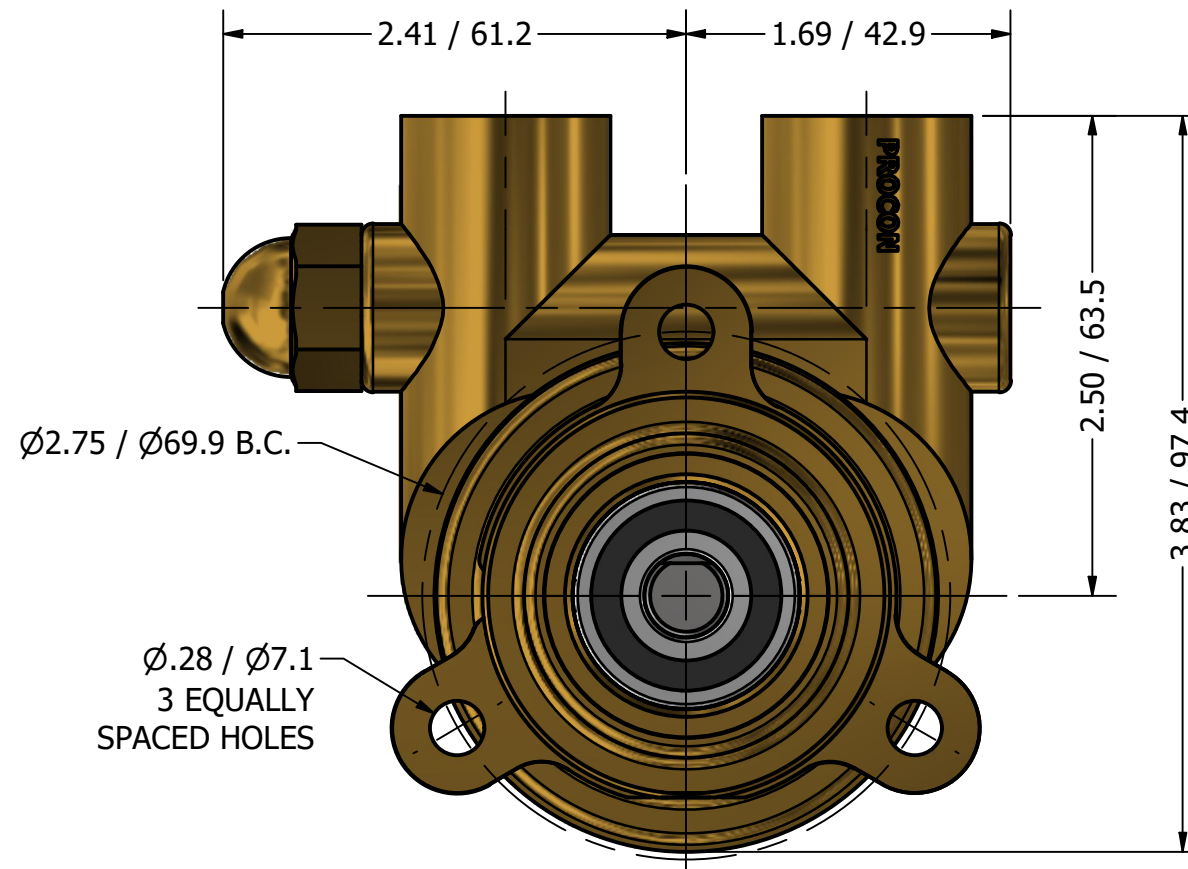
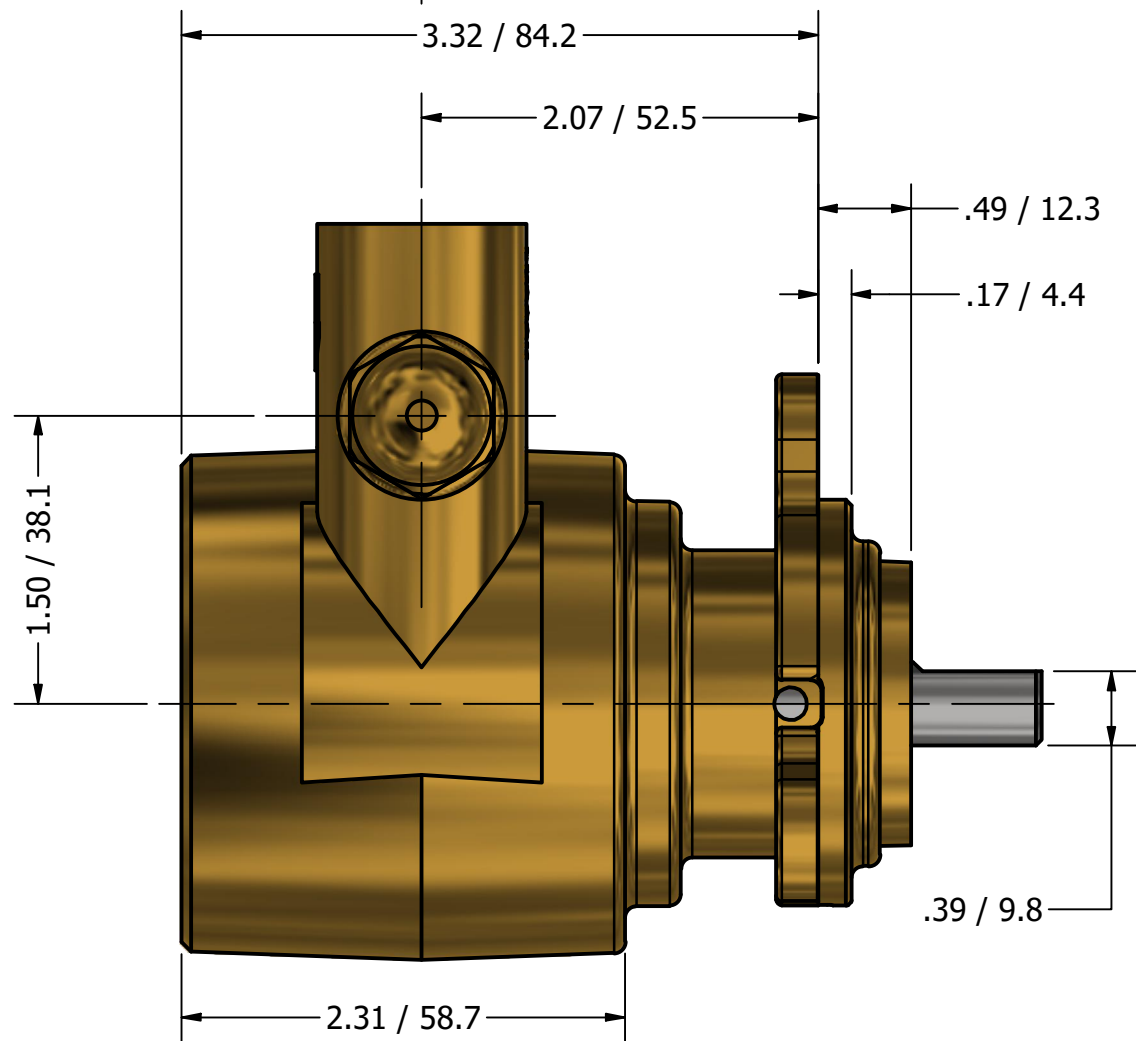


**SERIES 4
ROTARY VANE PUMP
BOLT-ON STYLE
"E" MOUNTING
G1/2 (BSPP) PORTS
WITH RELIEF VALVE**



Series 6 Nominal Volume*

| Flow rate (GPH/LPH) | Gallons Per Hour/Liters Per Hour | | | | | Brake Horsepower/Watts (motor shaft power) | | | | |
|------------------------|----------------------------------|-----------|-----------|-----------|-----------|--|---------|------------|------------|------------|
| | Pressure (PSI/Bar) | | | | | Pressure (PSI/Bar) | | | | |
| | 50/3.4 | 100/6.9 | 150/10.3 | 200/13.8 | 250/17.5 | 50/3.4 | 100/6.9 | 150/10.3 | 200/13.8 | 250/17.5 |
| 660/2,000 | 663/2,072 | 660/2,063 | 657/2,053 | 654/2,044 | 651/2,034 | .50/373 | .95/708 | 1.40/1,043 | 1.85/1,378 | 2.35/1,751 |
| 600/1,800 | 612/1,913 | 609/2,903 | 606/1,894 | 603/1,884 | 600/1,875 | .50/373 | .90/671 | 1.35/1,006 | 1.80/1,341 | 2.30/1,714 |
| 540/1,620 | 552/1,725 | 549/1,716 | 546/1,706 | 543/1,699 | 540/1,688 | .50/373 | .85/633 | 1.30/969 | 1.70/1,267 | 2.00/1,490 |
| 480/1,440 | 489/1,528 | 486/1,519 | 483/1,509 | 480/1,500 | 477/1,491 | .45/335 | .75/559 | 1.15/857 | 1.50/1,118 | 1.80/1,341 |
| 420/1,260 | 435/1,359 | 432/1,350 | 429/1,341 | 426/1,331 | 423/1,322 | .45/335 | .70/522 | 1.00/745 | 1.35/1,006 | 1.75/1,304 |
| 360/1,080 | 372/1,163 | 369/1,153 | 366/1,143 | 363/1,134 | 360/1,125 | .40/298 | .65/484 | .95/708 | 1.25/931 | 1.55/1,155 |
| 300/900 | 303/947 | 300/938 | 297/928 | 294/919 | 291/909 | .35/261 | .55/410 | .85/633 | 1.15/857 | 1.45/1,080 |

*GPH rating at 1725 RPM/60Hz and LPH rating at 1450 RPM/50Hz.

Performance based on pump tested with water at room temperature For certificate of compliance or declarations please visit www.proconpumps.com or email productcompliance@proconpump.com

PROCON[®]
custom | fluid | solutions[®]

FC1003 v2