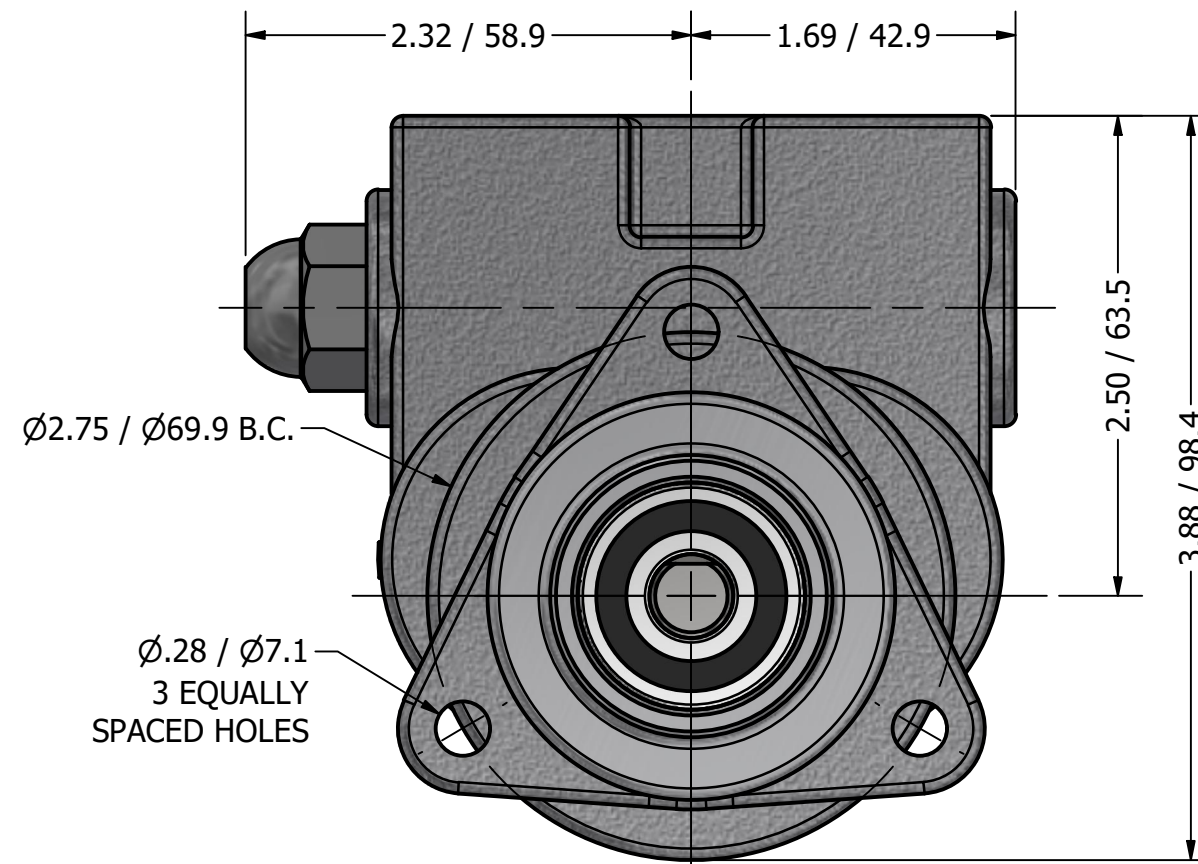
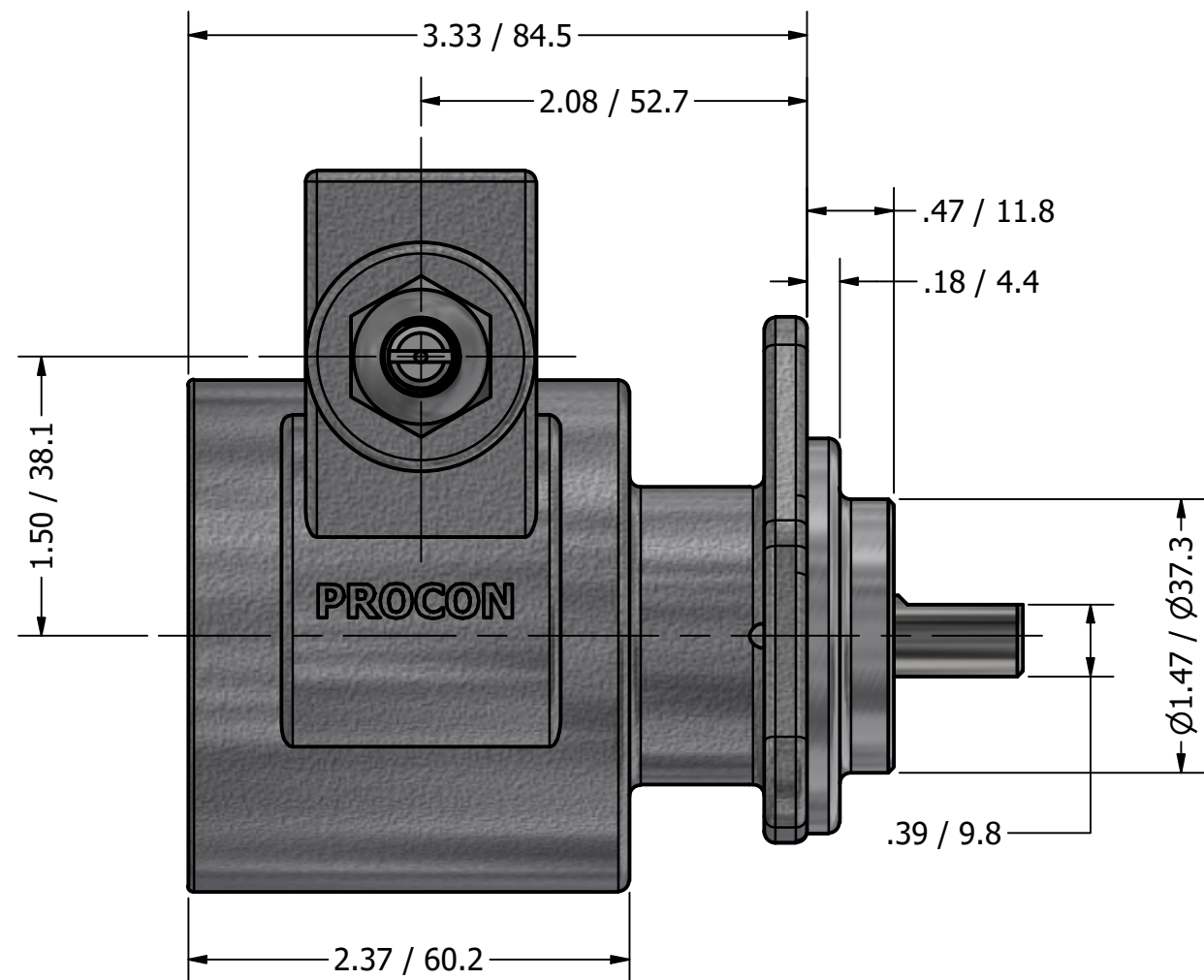


**SERIES 5
ROTARY VANE PUMP
BOLT-ON STYLE
"E" MOUNTING
G1/2 (BSPP) PORTS
WITH RELIEF VALVE**



Series 6 Nominal Volume*

Flow rate (GPH/LPH)	Gallons Per Hour/Liters Per Hour					Brake Horsepower/Watts (motor shaft power)				
	Pressure (PSI/Bar)					Pressure (PSI/Bar)				
	50/3.4	100/6.9	150/10.3	200/13.8	250/17.5	50/3.4	100/6.9	150/10.3	200/13.8	250/17.5
660/2,000	663/2,072	660/2,063	657/2,053	654/2,044	651/2,034	.50/373	.95/708	1.40/1,043	1.85/1,378	2.35/1,751
600/1,800	612/1,913	609/2,903	606/1,894	603/1,884	600/1,875	.50/373	.90/671	1.35/1,006	1.80/1,341	2.30/1,714
540/1,620	552/1,725	549/1,716	546/1,706	543/1,699	540/1,688	.50/373	.85/633	1.30/969	1.70/1,267	2.00/1,490
480/1,440	489/1,528	486/1,519	483/1,509	480/1,500	477/1,491	.45/335	.75/559	1.15/857	1.50/1,118	1.80/1,341
420/1,260	435/1,359	432/1,350	429/1,341	426/1,331	423/1,322	.45/335	.70/522	1.00/745	1.35/1,006	1.75/1,304
360/1,080	372/1,163	369/1,153	366/1,143	363/1,134	360/1,125	.40/298	.65/484	.95/708	1.25/931	1.55/1,155
300/900	303/947	300/938	297/928	294/919	291/909	.35/261	.55/410	.85/633	1.15/857	1.45/1,080

*GPH rating at 1725 RPM/60Hz and LPH rating at 1450 RPM/50Hz.

Performance based on pump tested with water at room temperature For certificate of compliance or declarations please visit www.proconpumps.com or email productcompliance@proconpump.com

PROCON[®]
custom | fluid | solutions[®]

FC1003 v2