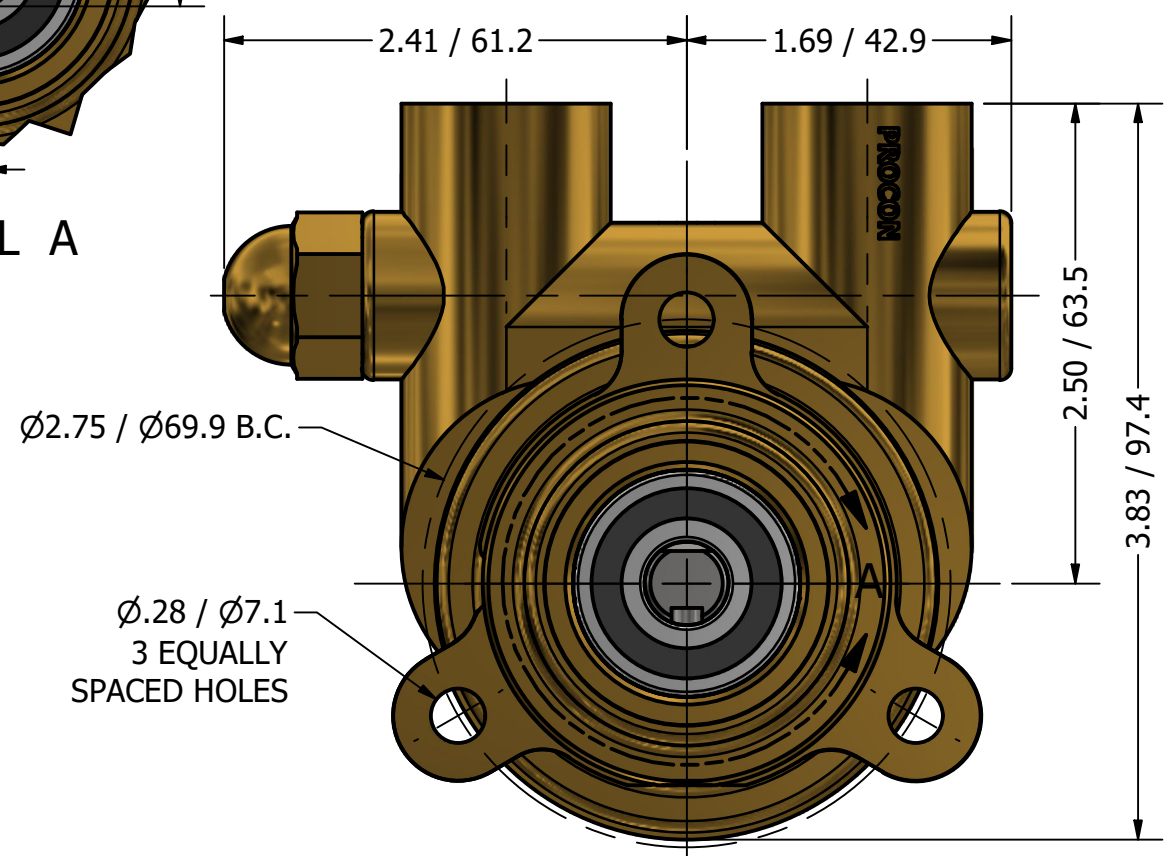
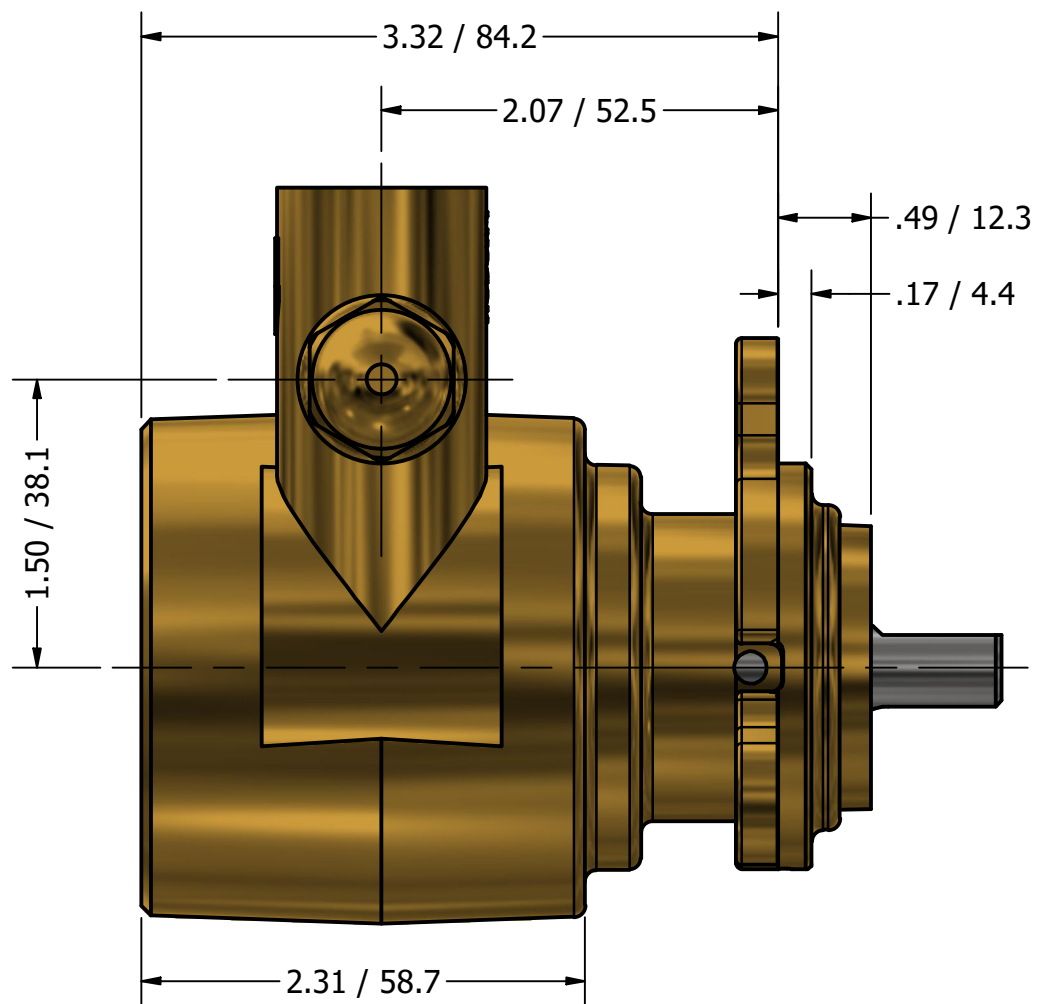
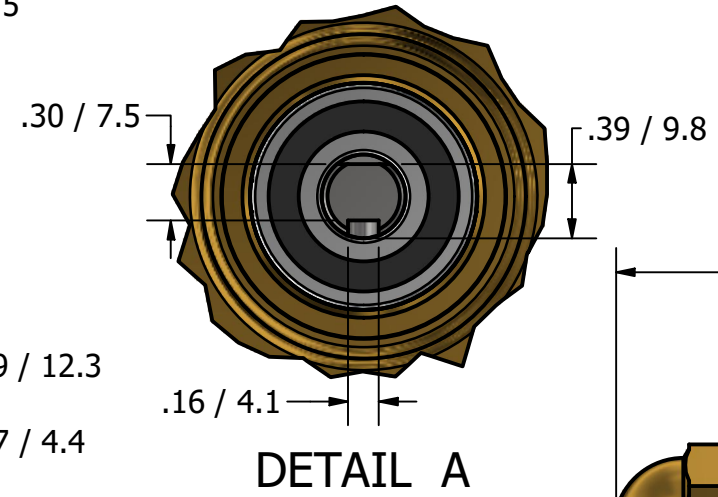
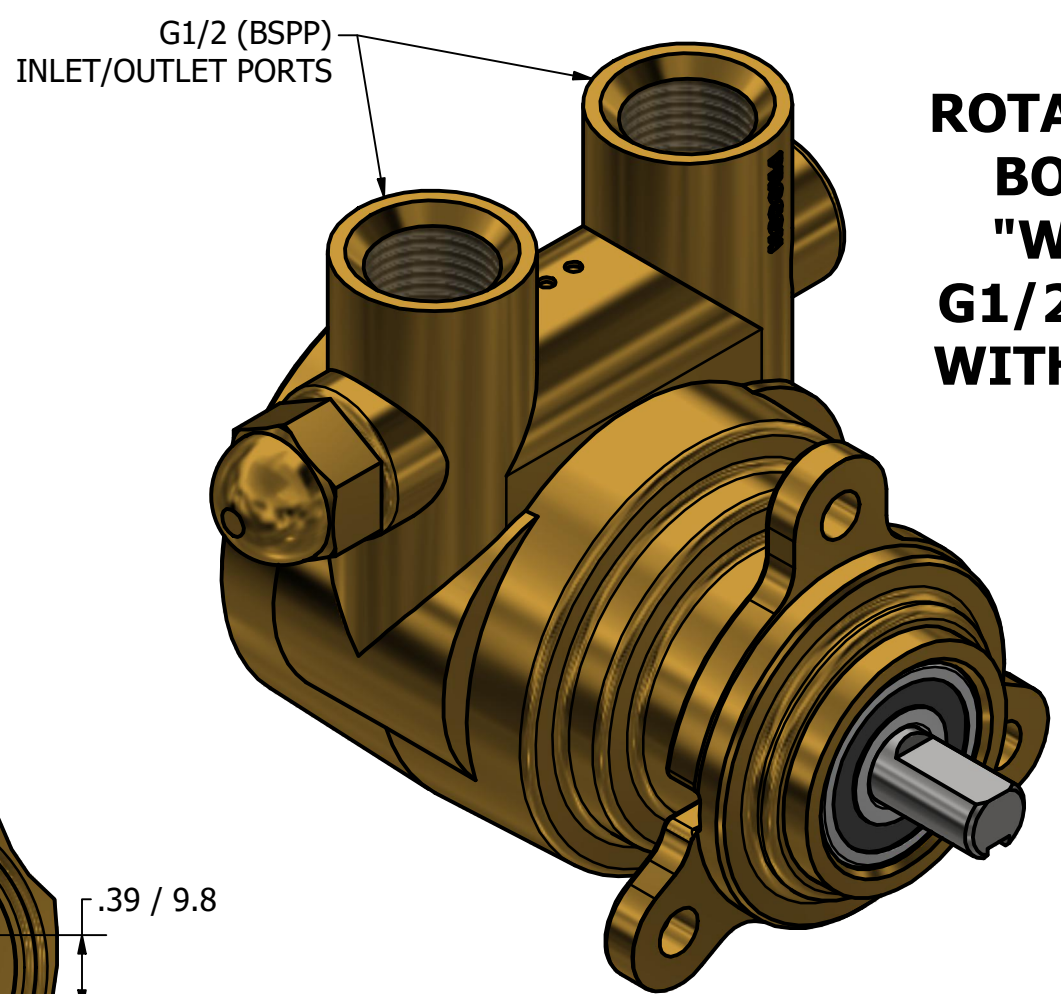
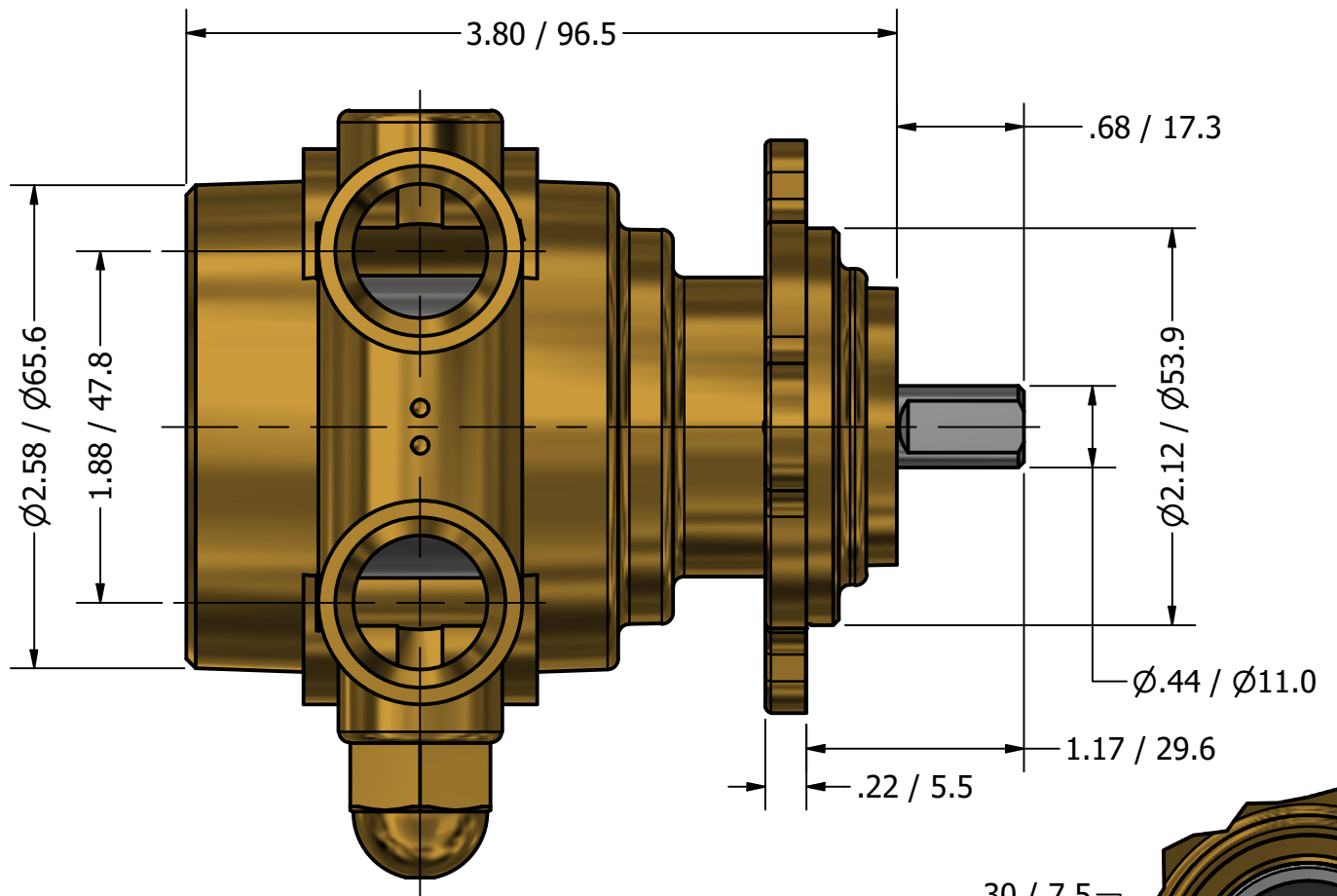


**SERIES 4  
 ROTARY VANE PUMP  
 BOLT-ON STYLE  
 "W" MOUNTING  
 G1/2 (BSPP) PORTS  
 WITH RELIEF VALVE**



## Series 4 and 5 Nominal Volume\*

| Flow rate<br>(GPH/<br>LPH) | Gallons Per Hour/Liters Per Hour |           |           |           |           | Brake Horsepower/Watts (motor shaft power) |          |           |          |          |
|----------------------------|----------------------------------|-----------|-----------|-----------|-----------|--|----------|-----------|----------|----------|
|                            | Pressure (PSI/Bar)               |           |           |           |           | Pressure (PSI/Bar)                         |          |           |          |          |
|                            | 50/3.4                           | 100/6.9   | 150/10.3  | 200/13.8  | 250/17.5  | 50/3.4                                     | 100/6.9  | 150/10.3  | 200/13.8 | 250/17.5 |
| 330/1,000                  | 331/1,034                        | 330/1,031 | 328/1,025 | 327/1,022 | 326/1,019 | 0.33/246                                   | 0.55/410 | 0.78/581  | 1.00/745 | 1.22/909 |
| 265/800                    | 265/828                          | 263/822   | 261/816   | 259/809   | 257/803   | 0.24/179                                   | 0.43/320 | 0.63/469  | 0.82/611 | 1.01/753 |
| 240/725                    | 243/759                          | 240/750   | 236/738   | 232/725   | 228/713   | 0.21/157                                   | 0.37/276 | 0.54/402  | 0.70/522 | 0.86/641 |
| 215/650                    | 218/681                          | 215/672   | 211/659   | 207/647   | 203/634   | 0.20/149                                   | 0.35/261 | 0.50/3723 | 0.65/484 | 0.80/596 |
| 190/575                    | 193/603                          | 190/594   | 189/591   | 182/569   | 178/556   | 0.18/134                                   | 0.33/246 | 0.47/351  | 0.61/455 | 0.75/559 |
| 165/500                    | 168/525                          | 165/516   | 161/503   | 157/491   | 153/478   | 0.17/127                                   | 0.30/224 | 0.43/320  | 0.57/425 | 0.70/522 |
| 140/425                    | 143/447                          | 140/438   | 136/425   | 132/413   | 128/400   | 0.16/119                                   | 0.28/209 | 0.40/298  | 0.52/387 | 0.64/477 |
| 115/350                    | 116/363                          | 115/359   | 111/347   | 107/334   | 103/322   | 0.15/112                                   | 0.25/186 | 0.35/261  | 0.45/335 | 0.55/410 |

\*GPH rating at 1725 RPM/60Hz and LPH rating at 1450 RPM/50Hz.

Performance based on pump tested with water at room temperature For certificate of compliance or declarations please visit [www.proconpumps.com](http://www.proconpumps.com) or email [productcompliance@proconpump.com](mailto:productcompliance@proconpump.com)

**PROCON**<sup>®</sup>  
custom | fluid | solutions<sup>®</sup>

**FC1002 v2**