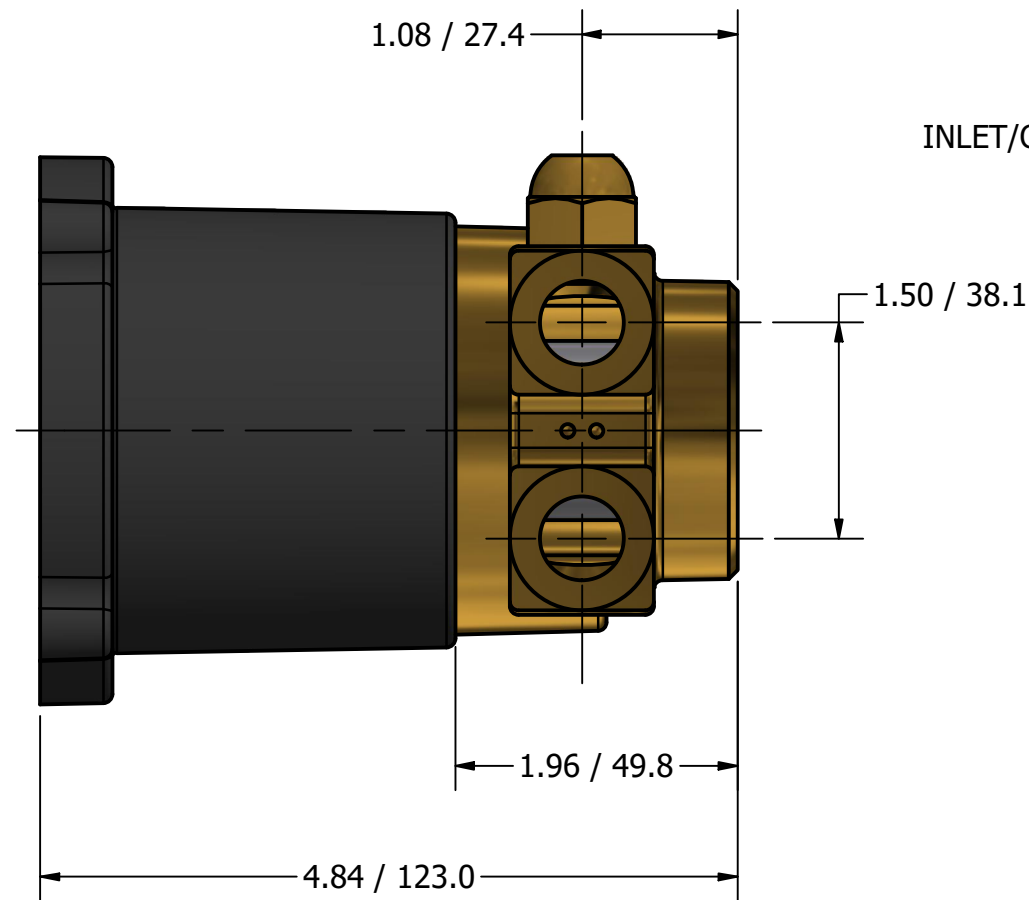
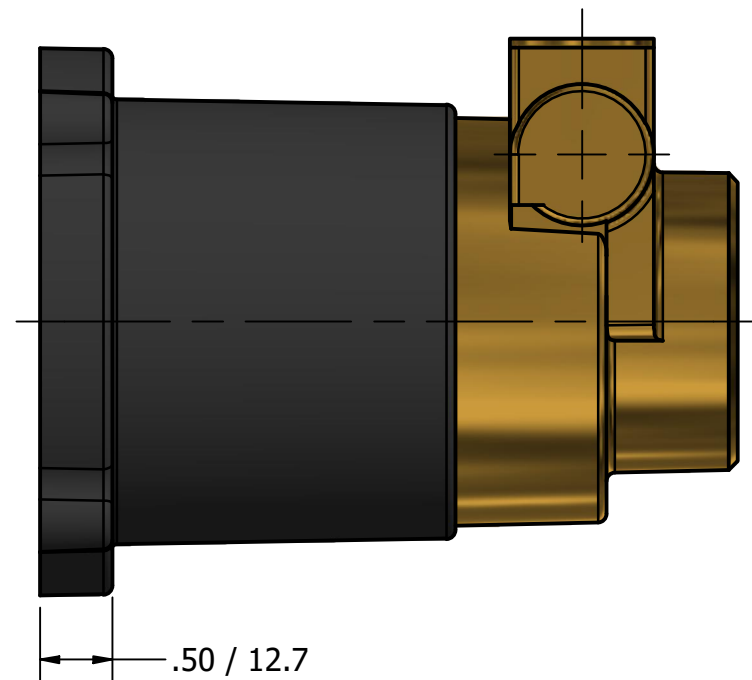
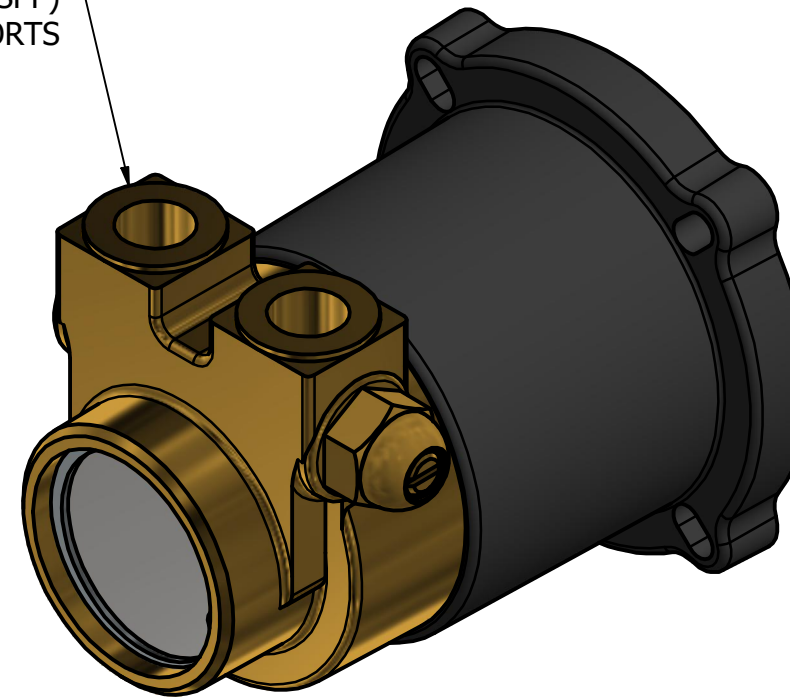


**SERIES 2
MAG DRIVE PUMP
G3/8 (BSPP) PORTS
WITH RELIEF VALVE**



G3/8 (BSPP)
INLET/OUTLET PORTS



$\varnothing 3.42 / \varnothing 86.9$ B.C.

.27 / 6.8 X .43 / 10.9
4 EQUALLY
SPACED SLOTS

