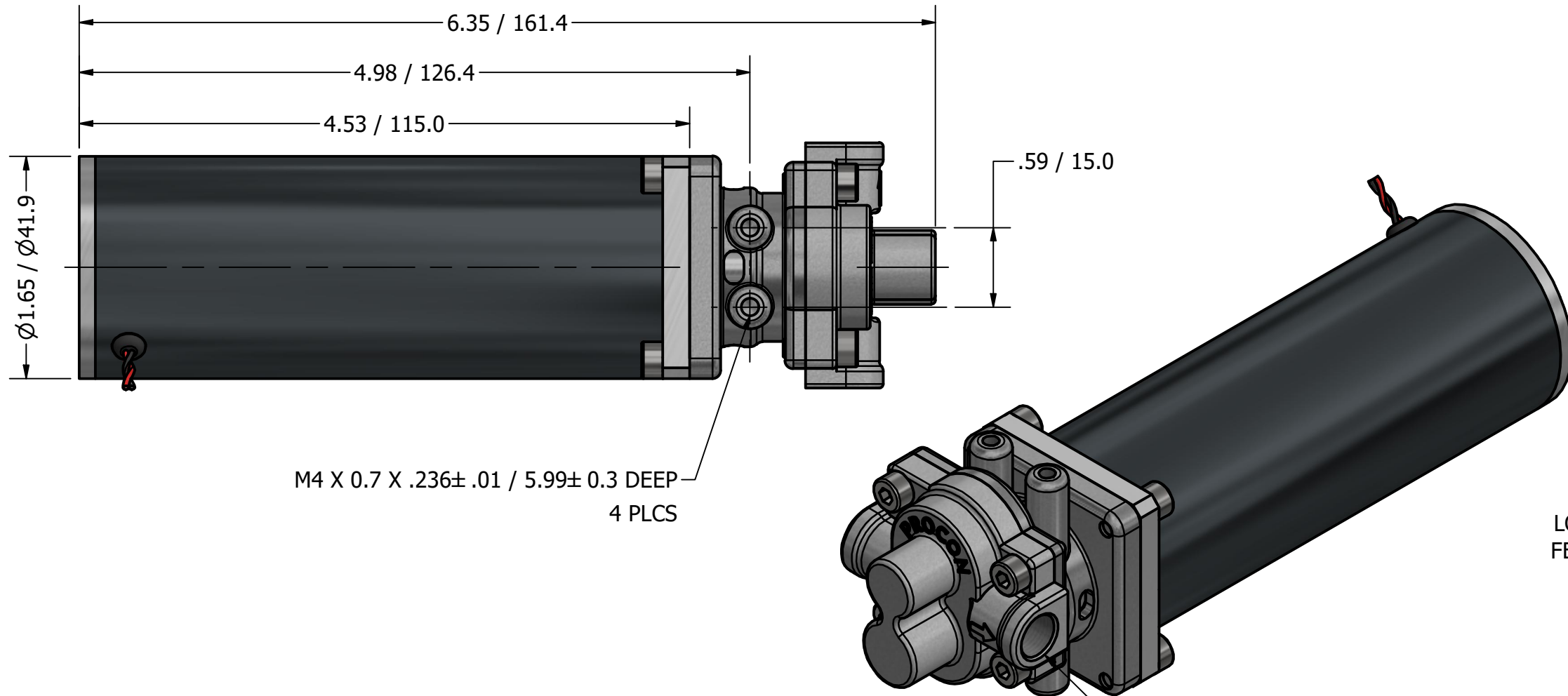
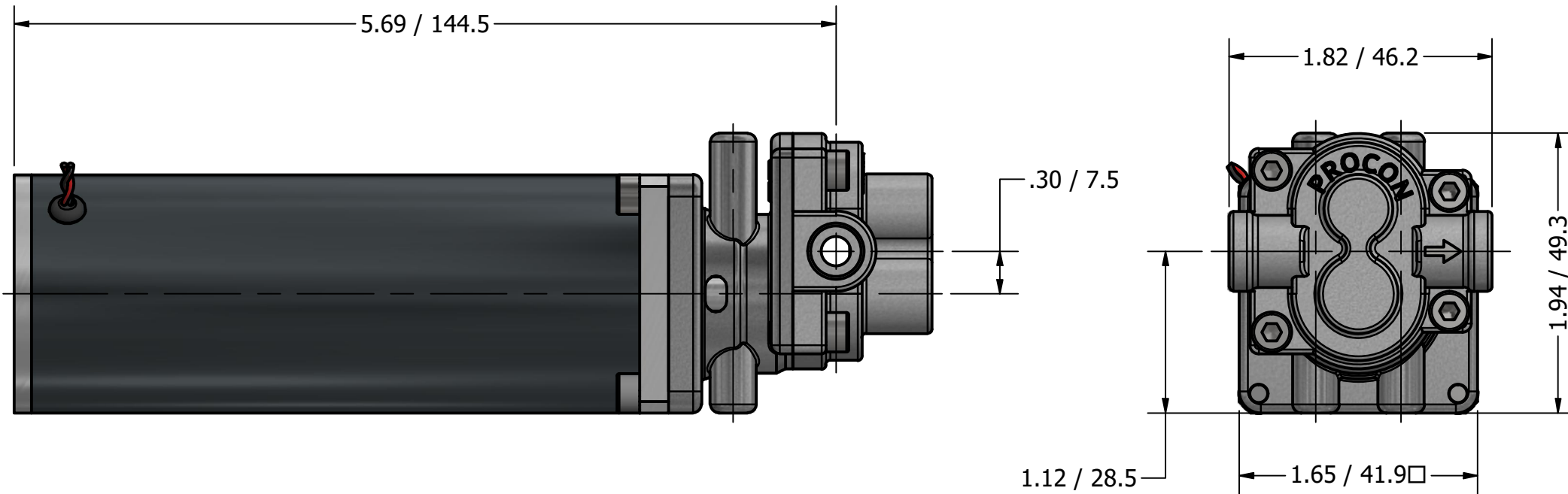
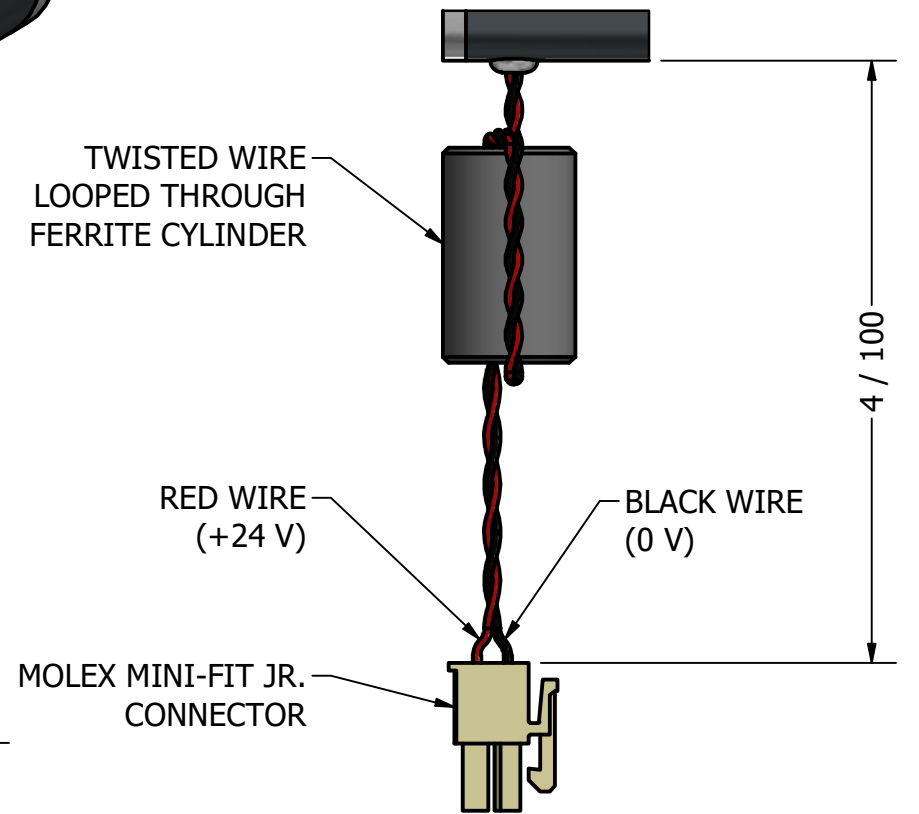


MICRO GEAR PUMP 50 WATT MOTOR G1/8 (BSPP) PORTS



M4 X 0.7 X .236± .01 / 5.99± 0.3 DEEP
4 PLCS

G1/8 (BSPP)
INLET/OUTLET PORTS



10mm SPUR GEAR PUMP WITH 24V/50W BRUSHED DC MOTOR

