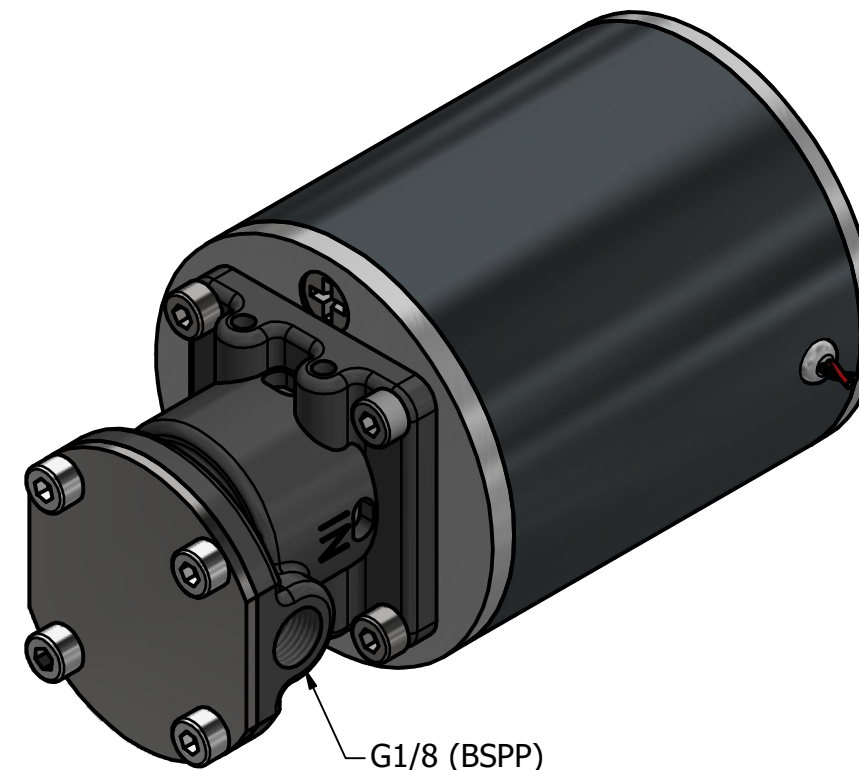
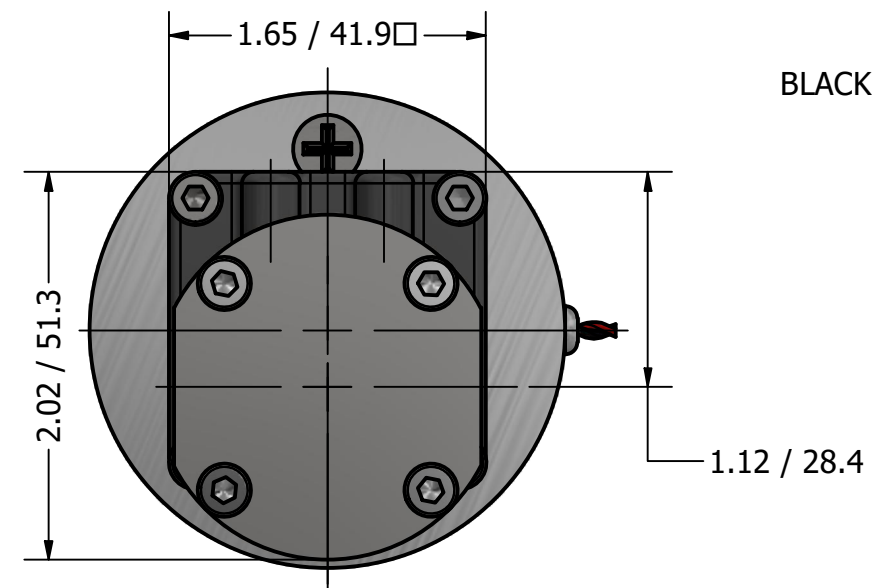
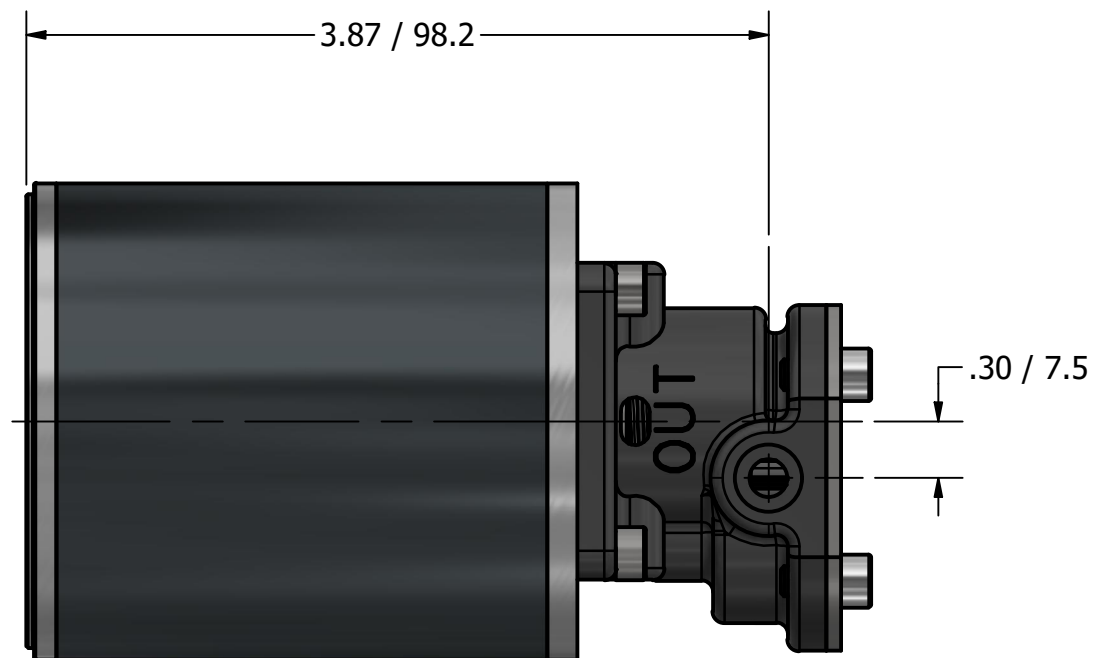
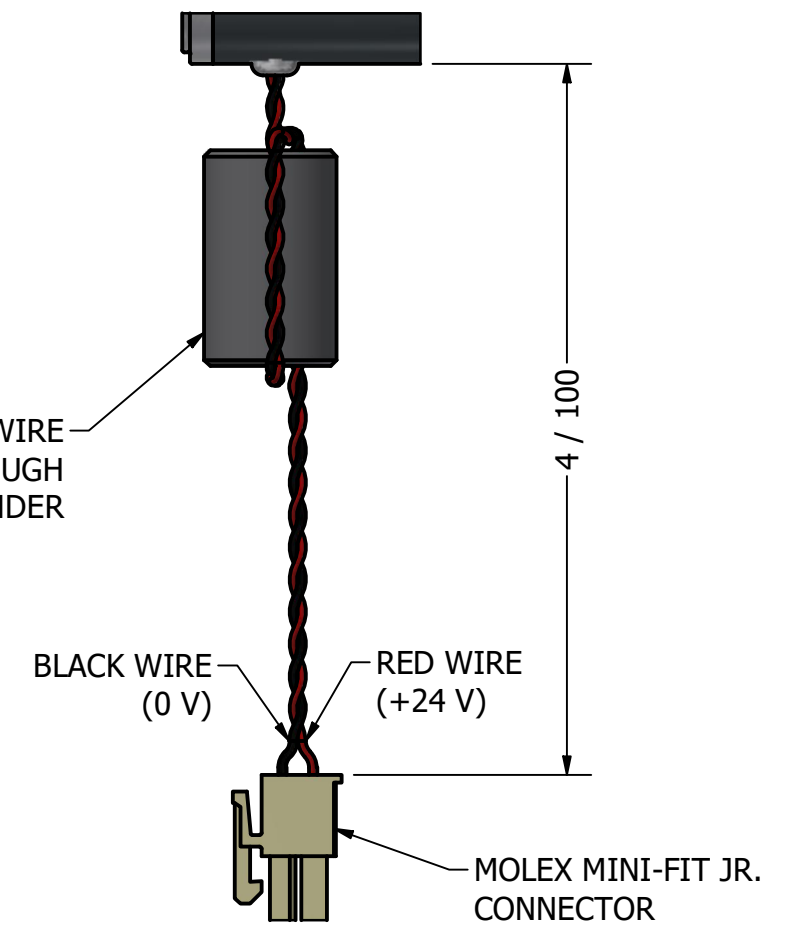


MICRO GEAR PUMP 30 WATT MOTOR G1/8 (BSPP) PORTS



TWISTED WIRE
LOOPEO THROUGH
FERRITE CYLINDER



10mm SPUR GEAR PUMP WITH 24V/20W 30W 40W 60W BRUSHED DC MOTOR

