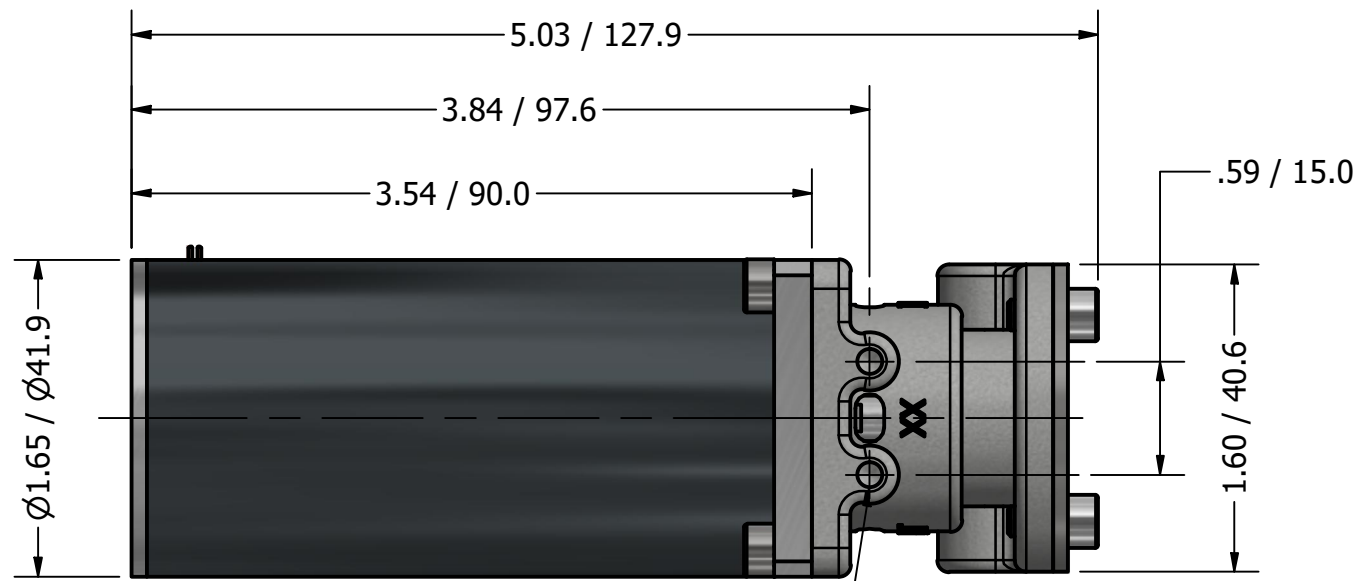
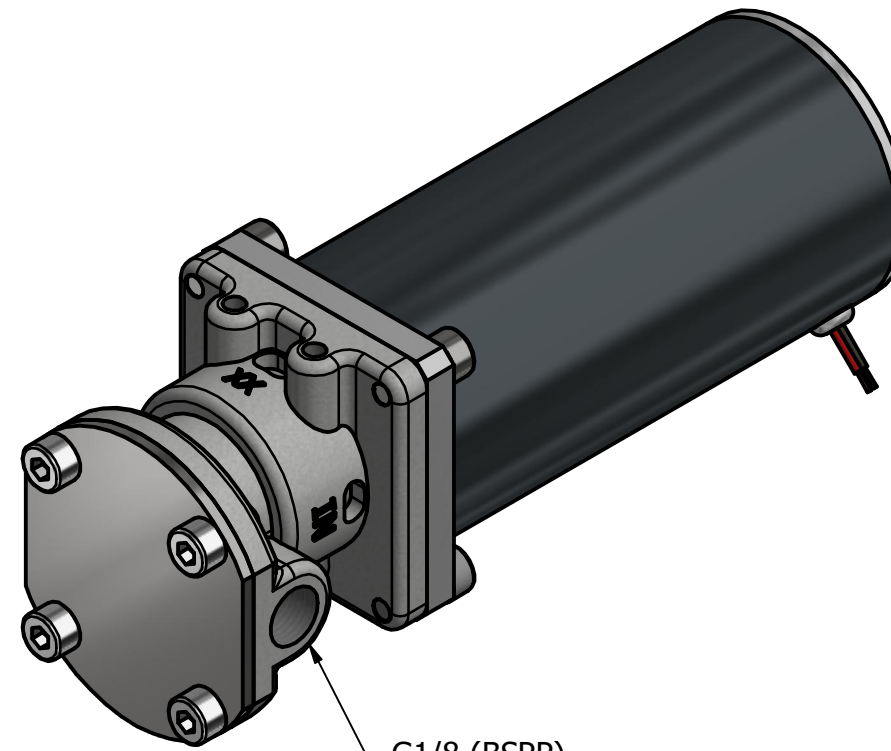


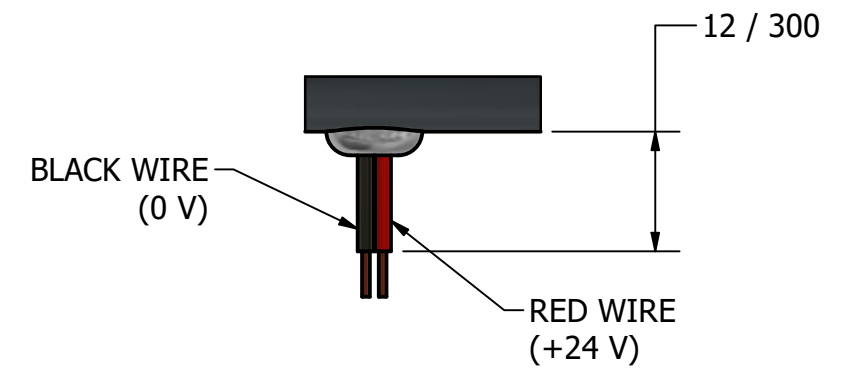
**MICRO GEAR PUMP
40 WATT MOTOR
G1/8 (BSPP) PORTS**



M4 X 0.7 X .236±.01 / 5.99±0.3 DEEP
2 PLCS

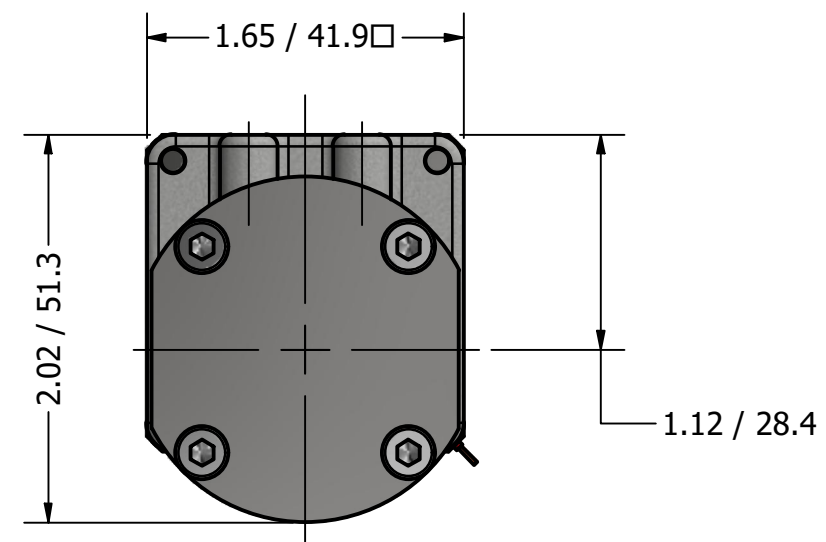
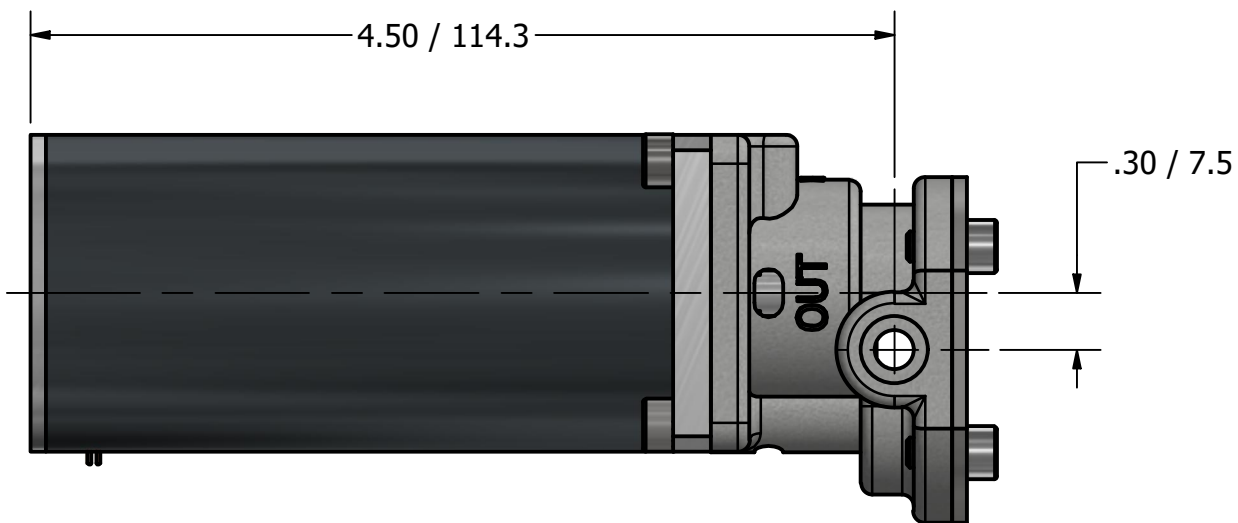


G1/8 (BSPP)
INLET/OUTLET PORTS



BLACK WIRE
(0 V)

RED WIRE
(+24 V)



10mm SPUR GEAR PUMP WITH 24V/20W 30W 40W 60W BRUSHED DC MOTOR

