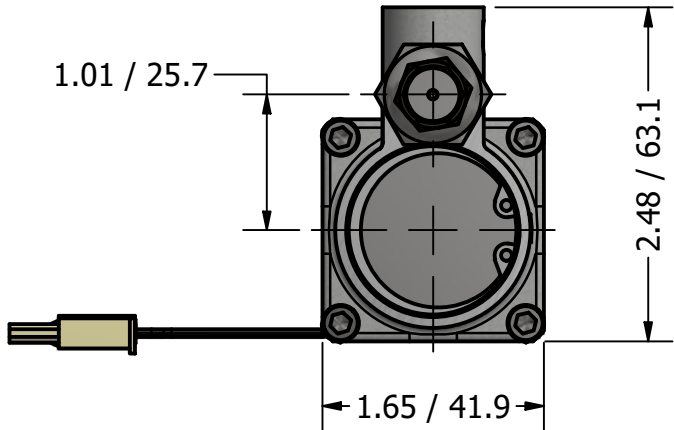
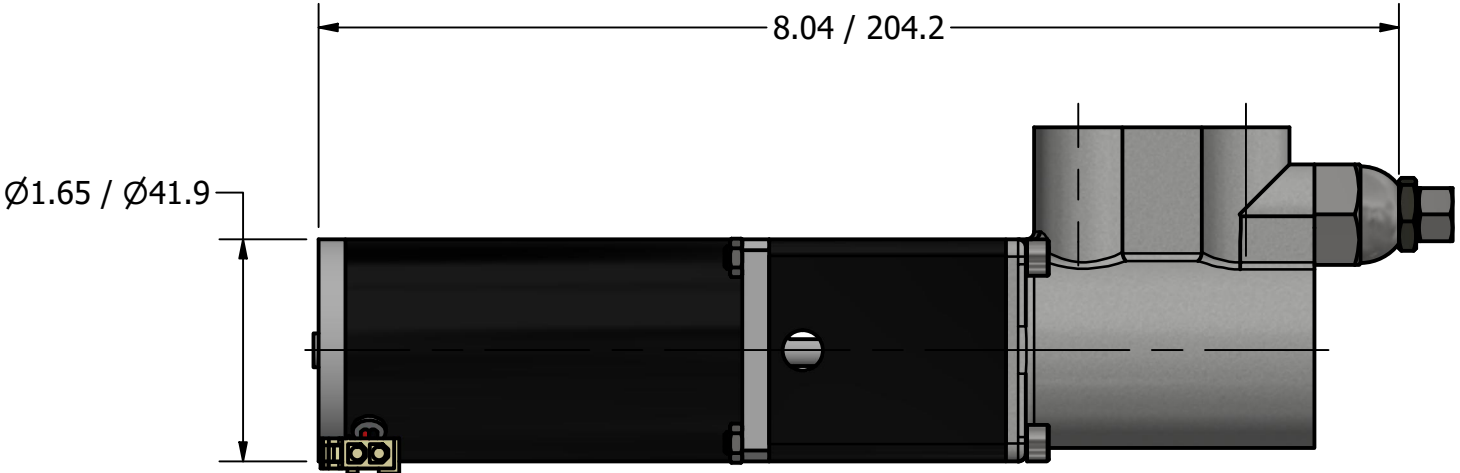
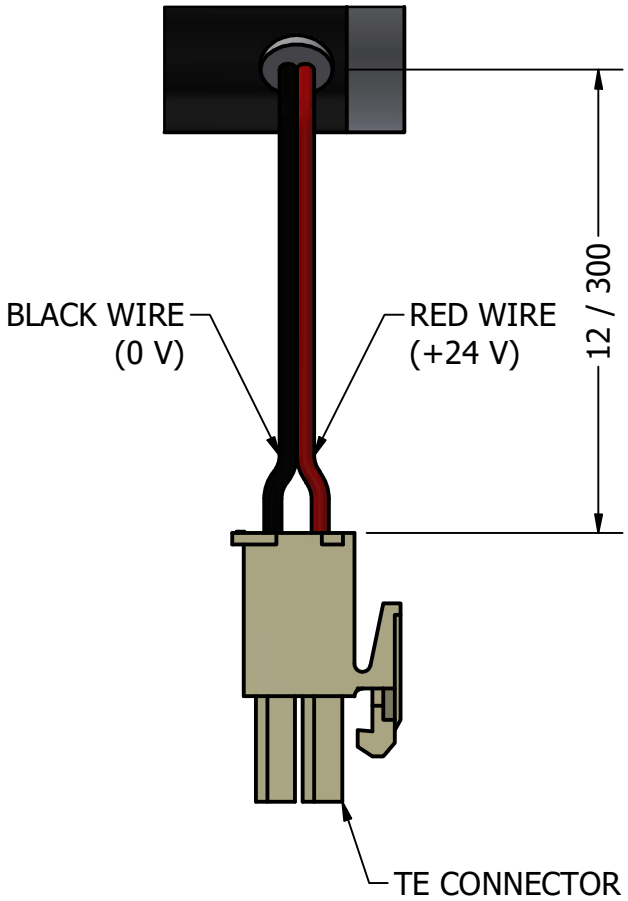
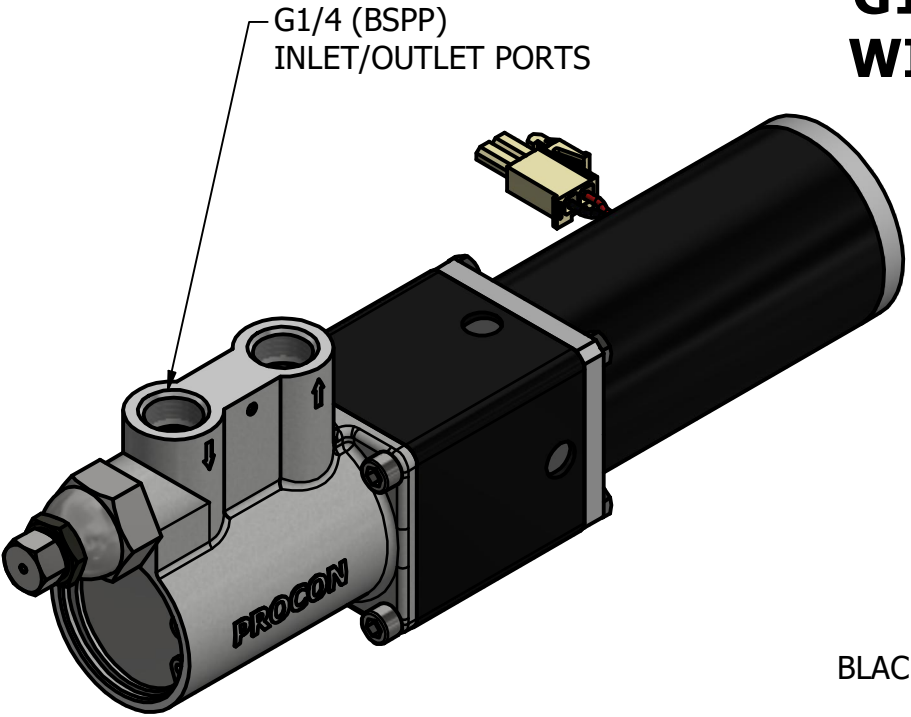
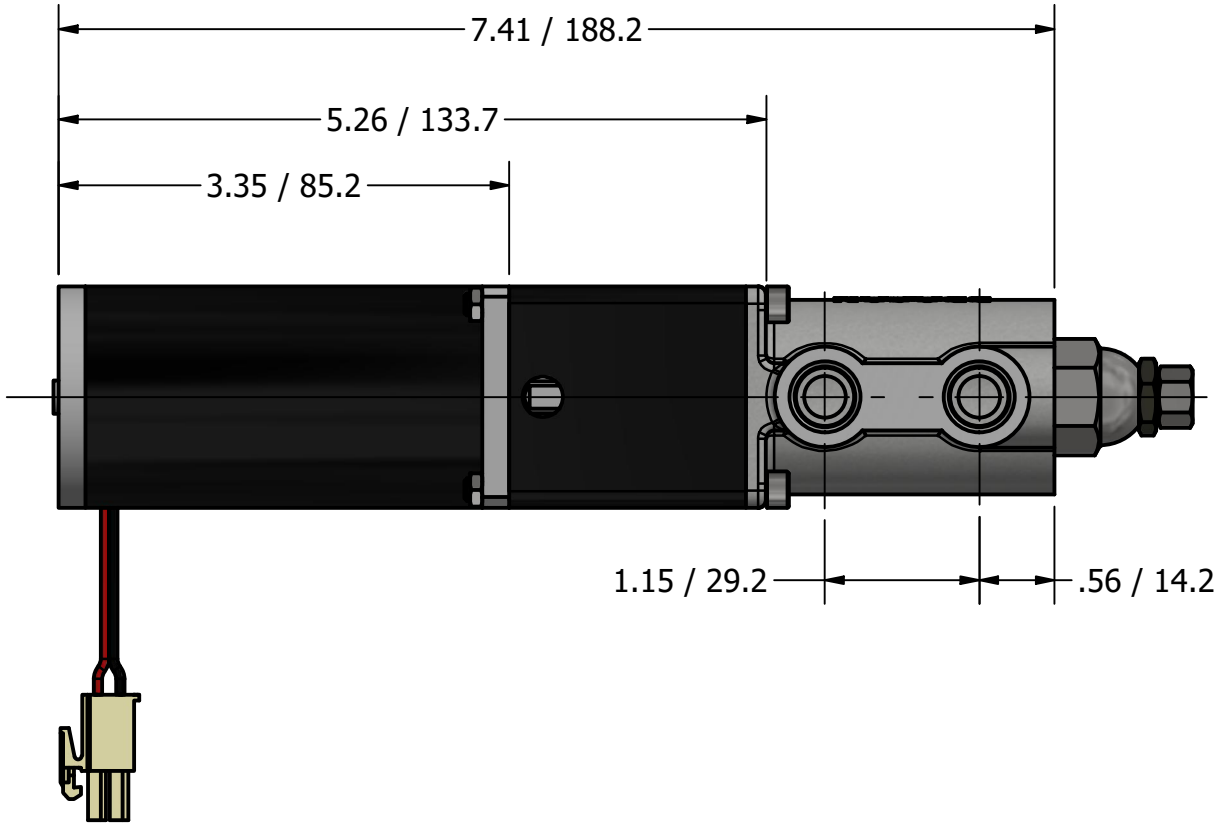
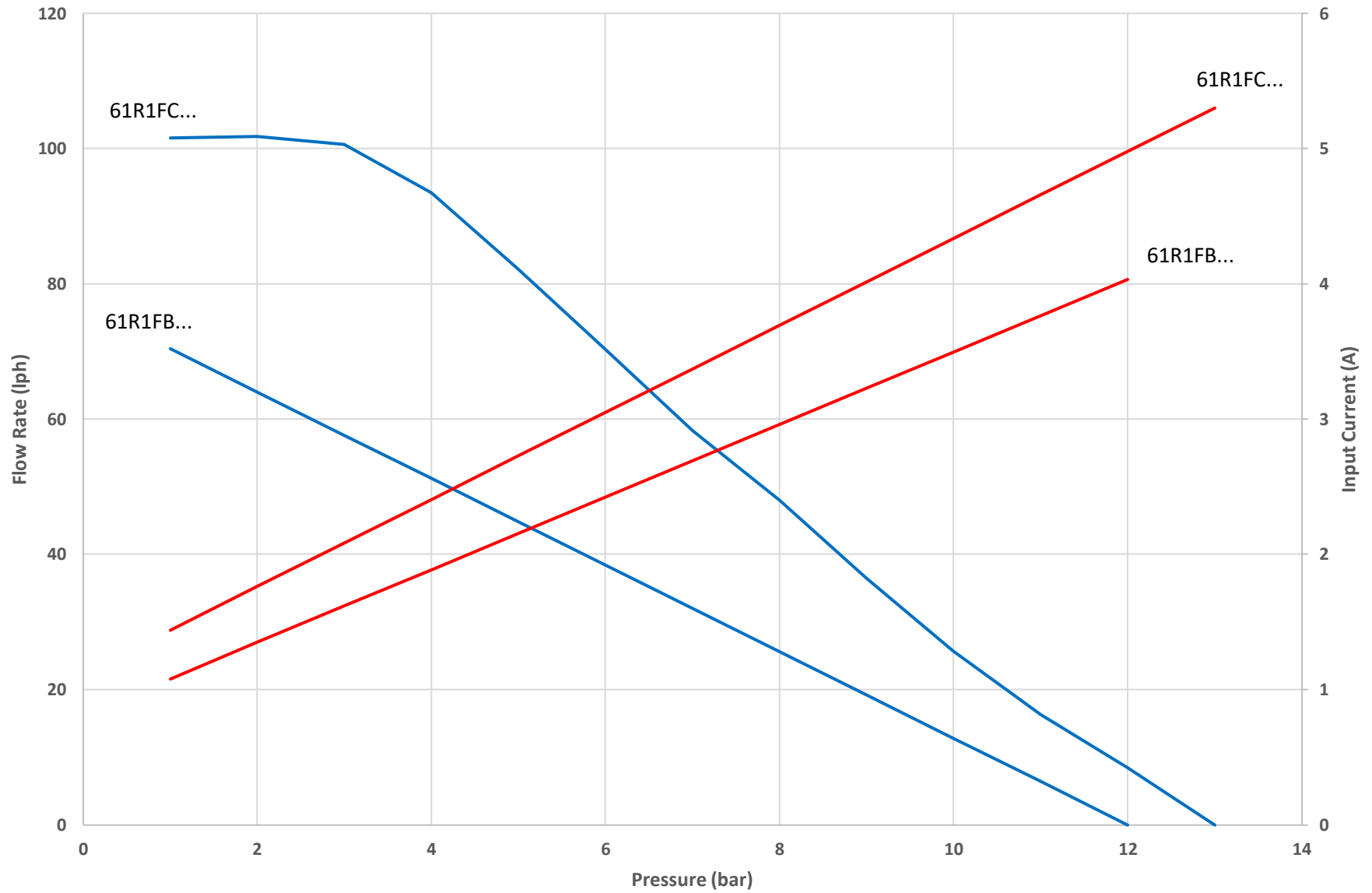


**MICRO VANE PUMP MAG DRIVE
60 WATT MOTOR
G1/4 (BSPP) PORTS
WITH RELIEF VALVE**



61R1F...Micro Vane Pump



— Flow Rate — Input Current