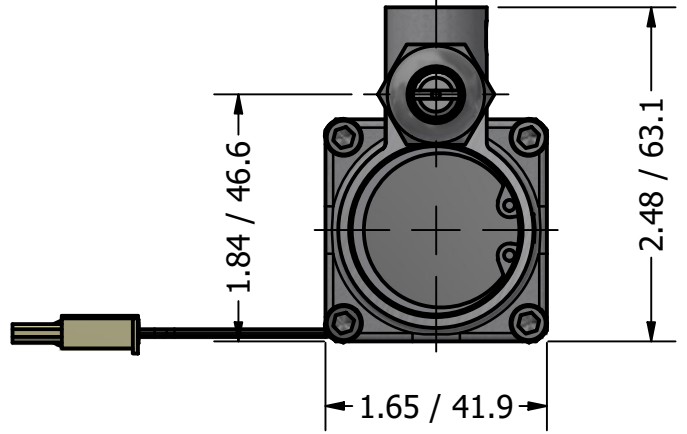
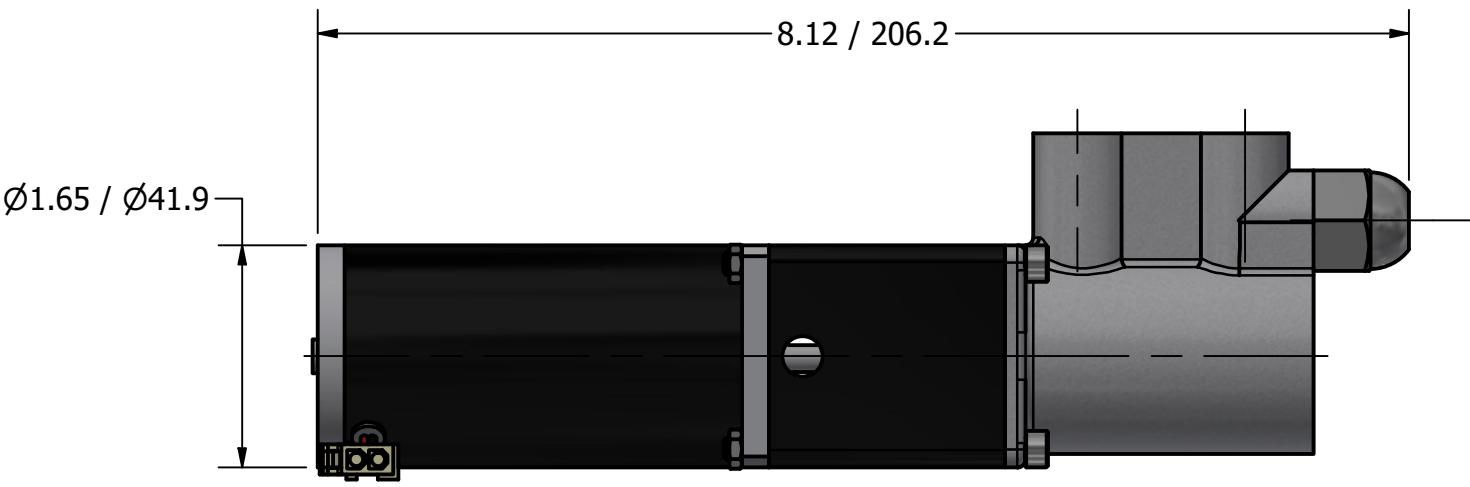
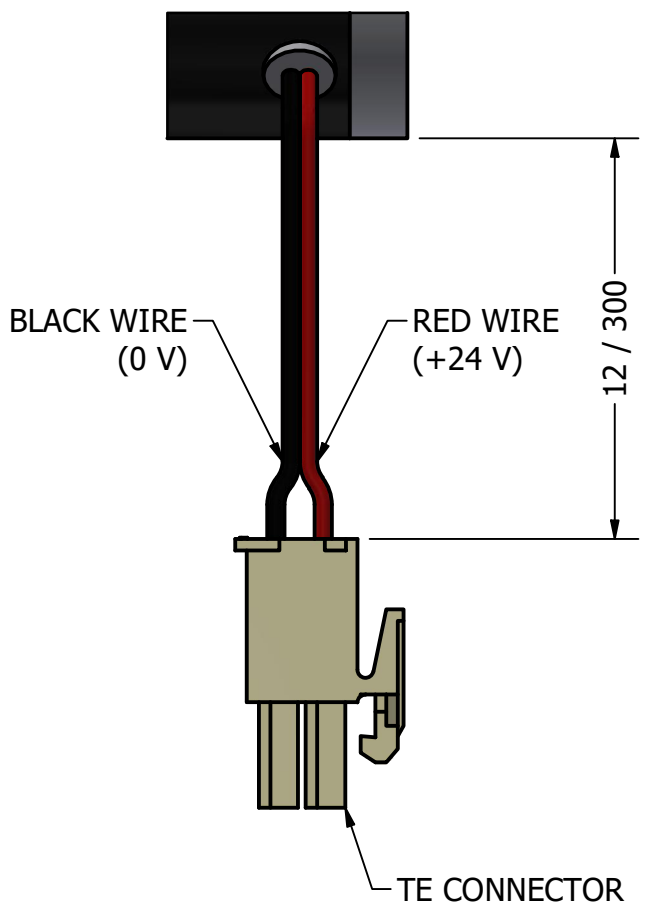
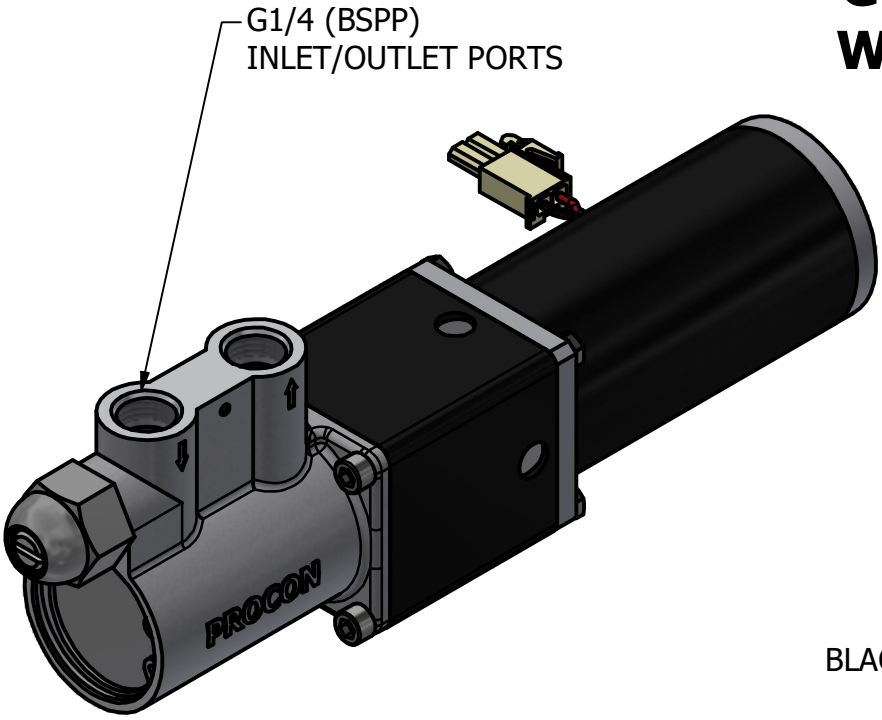
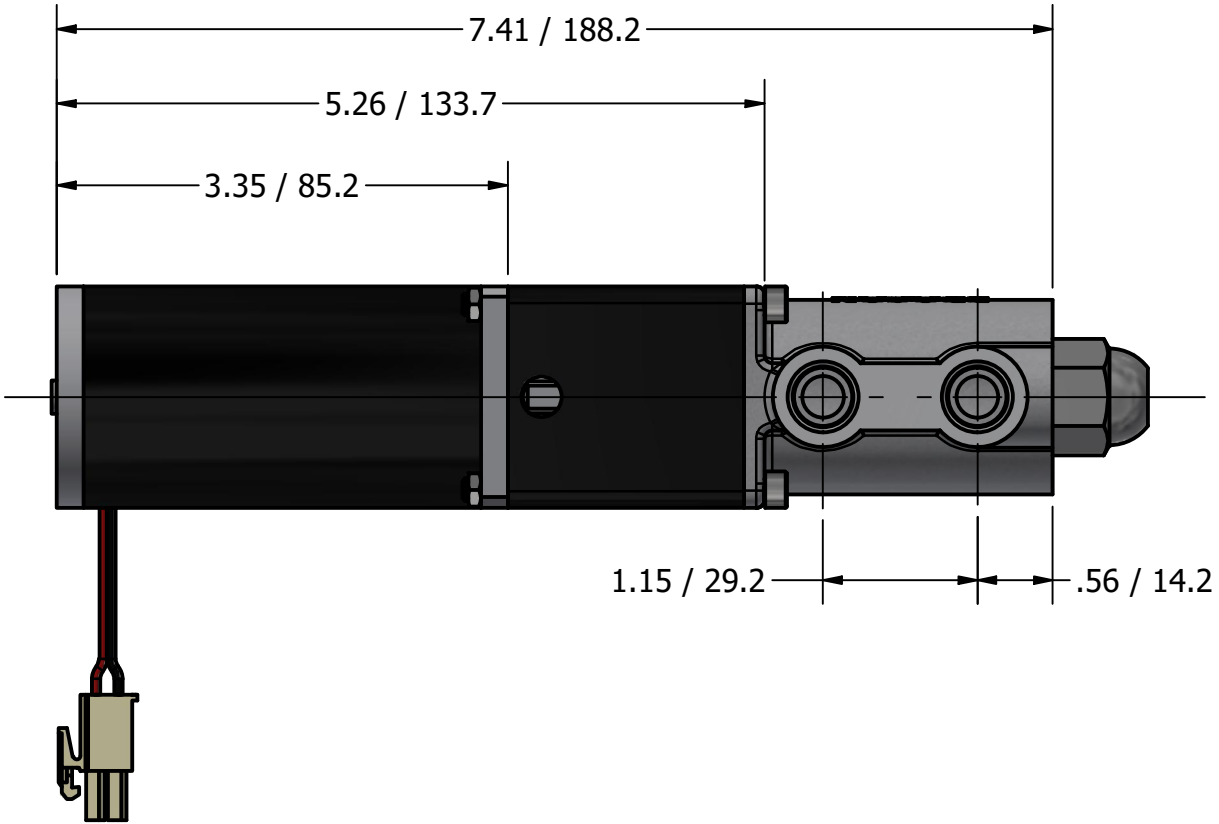
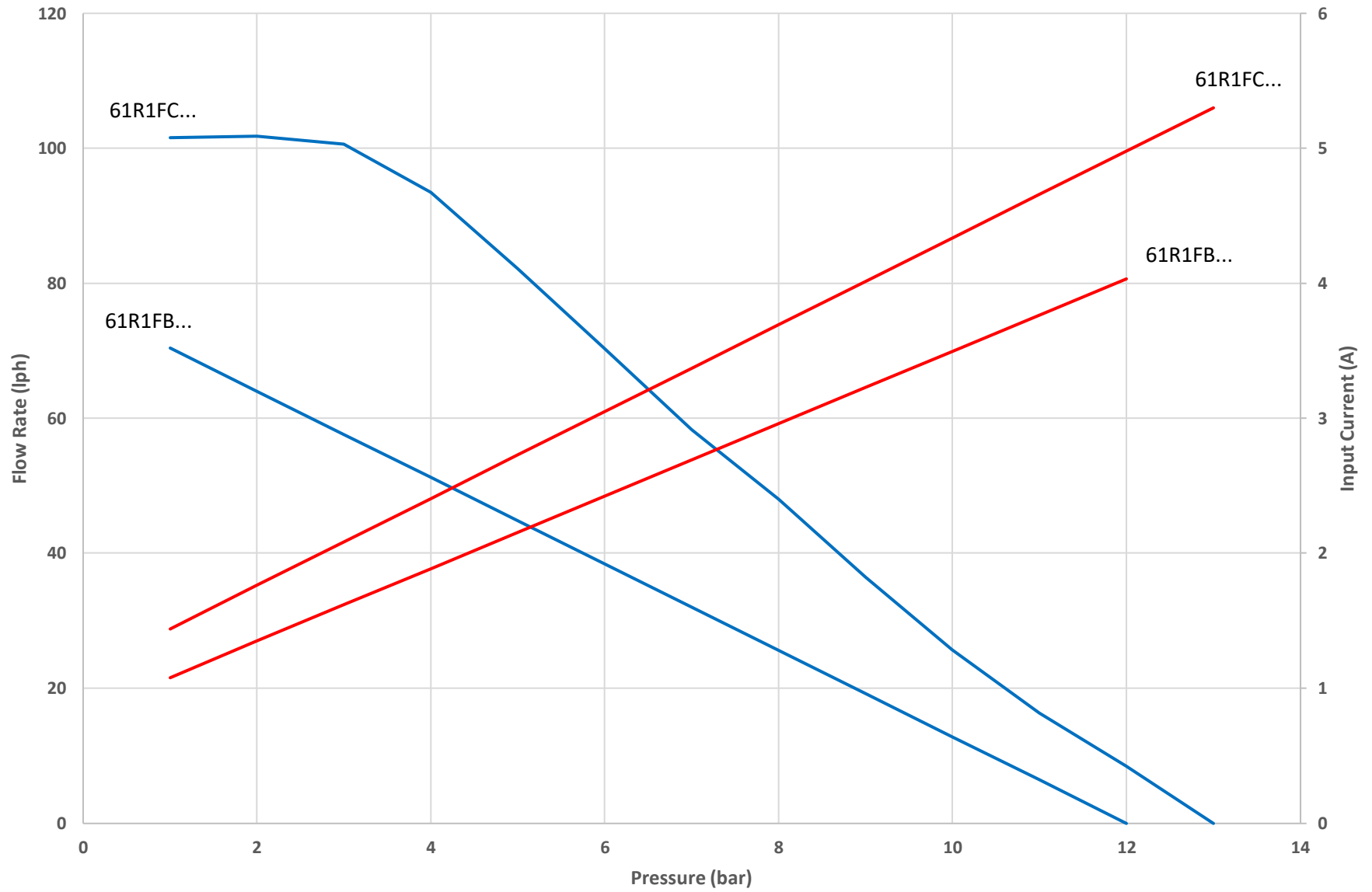


**MICRO VANE PUMP MAG DRIVE  
60 WATT MOTOR  
G1/4 (BSPP) PORTS  
WITH RELIEF VALVE**



### 61R1F...Micro Vane Pump



— Flow Rate — Input Current