



## High Purity PVC System Low-Extractable Piping For Ultra-Pure Water Systems

Part Number	Size	Std Pk	Mstr Ctn	Disc Code	Price Each
-------------	------	--------	----------	-----------	------------

### Union

Soc x Soc EPDM O-ring Seals



235 psi Maximum Internal Pressure Rating @ 73°F (23°C)

897-005BL	1/2	10	60	065	11.81
897-007BL	3/4	10	40	065	14.82
897-010BL	1	10	40	065	19.38
897-012BL	1-1/4	5	20	065	27.95
897-015BL	1-1/2	5	0	065	38.22
897-020BL	2	5	0	065	57.62
8097-030BL	3	5	0	065	97.59
8097-040BL	4	4	0	065	135.03

### Union

Soc x Soc Viton® O-ring Seals



235 psi Maximum Internal Pressure Rating @ 73°F (23°C)

857-005BL	1/2	10	60	065	14.50
857-007BL	3/4	10	40	065	17.69
857-010BL	1	10	40	065	24.52
857-012BL	1-1/4	5	20	065	33.09
857-015BL	1-1/2	5	0	065	46.20
857-020BL	2	5	0	065	70.16
8057-030BL	3	5	0	065	118.99
8057-040BL	4	4	0	065	164.70

### Flange Soc Van Stone Style

Rated @ 150 psi Working Pressure @ 73°F (23°C)



854-005BL	1/2	25	0	065	20.33
854-007BL	3/4	25	0	065	21.76
854-010BL	1	15	0	065	24.23
854-012BL	1-1/4	15	0	065	24.98
854-015BL	1-1/2	20	0	065	25.50
854-020BL	2	10	0	065	33.89
854-030BL	3	10	0	065	57.87
854-040BL	4	5	0	065	73.20
854-060BL	6	4	0	065	163.98

### PVC New Style Standard Tank Adapters with EPDM Gaskets

Soc



150 psi Maximum Internal Pressure Rating @ 73°F (23°C)

8170E-005BL	1/2	25	0	065	39.74
8170E-007BL	3/4	25	0	065	45.10
8170E-010BL	1	25	0	065	51.77
8170E-012BL	1-1/4	20	0	065	65.52
8170E-015BL	1-1/2	20	0	065	68.76
8170E-020BL	2	15	0	065	99.11
8170E-030BL	3	4	0	065	167.60
8170E-040BL	4	2	0	065	278.22

### PVC New Style Standard Tank Adapters with Viton® Gaskets

Soc



150 psi Maximum Internal Pressure Rating @ 73°F (23°C)

8170V-005BL	1/2	25	0	065	52.10
8170V-007BL	3/4	25	0	065	59.94
8170V-010BL	1	25	0	065	69.38
8170V-012BL	1-1/4	20	0	065	85.24
8170V-015BL	1-1/2	20	0	065	88.85
8170V-020BL	2	15	0	065	134.52
8170V-030BL	3	4	0	065	230.48
8170V-040BL	4	2	0	065	510.53

Part Number	Size	Std Pk	Mstr Ctn	Disc Code	Price Each
-------------	------	--------	----------	-----------	------------

### Wrench Sets

Body Wrench & Nut Wrench



TAW-005	1/2	1	25	299	20.80
TAW-007	3/4	1	25	299	21.20
TAW-010	1	1	25	299	22.05
TAW-012	1-1/4	1	20	299	24.87
TAW-015	1-1/2	1	20	299	26.98
TAW-020	2	1	10	299	30.73
TAW-030	3	1	10	299	37.47
TAW-040	4	1	10	299	40.15

### Individual Body Wrench

TAW1-005	1/2	250	0	299	11.67
TAW1-007	3/4	220	0	299	11.89
TAW1-010	1	200	0	299	12.38
TAW1-012	1-1/4	300	0	299	14.02
TAW1-015	1-1/2	150	0	299	15.10
TAW1-020	2	100	0	299	16.39
TAW1-030	3	74	0	299	21.48
TAW1-040	4	35	0	299	22.10

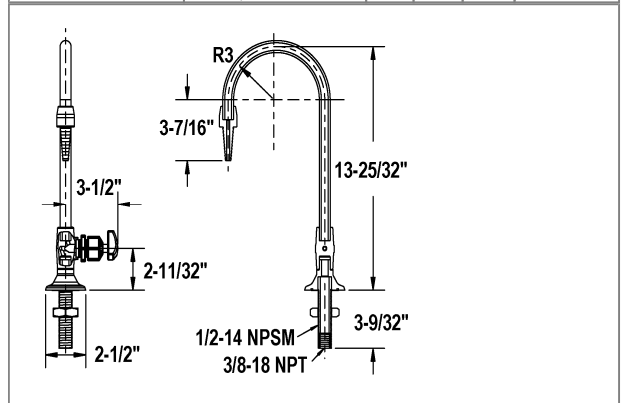
### Individual Nut Wrench

TAW2-005	1/2	200	0	299	11.67
TAW2-007	3/4	160	0	299	11.89
TAW2-010	1	110	0	299	12.38
TAW2-012	1-1/4	200	0	299	14.02
TAW2-015	1-1/2	120	0	299	15.10
TAW2-020	2	100	0	299	16.39
TAW2-030	3	40	0	299	21.48
TAW2-040	4	35	0	299	22.10

### Standard Deck Mount Lab Fixture

Base with Valve, Gooseneck & Serrated Tip with Needle Valve-Metered Flow

LF1000-BLN	LXT, PTFE Seal	1	0	066	357.55
------------	----------------	---	---	-----	--------



### Standard Deck Mount Lab Fixture

With Ball Valve-Direct Flow

LF1002-BL	LXT, EPDM Seal	1	0	066	299.00
LF1003-BL	LXT, Viton® Seal	1	0	066	332.23