

Schedule 40 Fittings & Accessories
Clamp-On & Hot-Tap Saddles & Mechanical Clamp-On Transition Saddles



Clamp-On & Hot-Tap Saddles

Part Number	Size	Std Pk	Mstr Ctn	Disc Code	Price Each
-------------	------	--------	----------	-----------	------------

PVC White Hot-Tap Saddles
EPDM Saddle x Soc (Spigot) SS316 Bolts



2" - 4" 235, 6" 200, 8" 150 psi @ 73°F (23°C)

HT2S-248W	2X3/4 (1)	1	5	049	75.72
HT2S-251W	2X1-1/2 (2)	1	5	049	156.34
HT2S-288W	2-1/2X3/4 (1)	1	5	049	80.89
HT2S-291W	2-1/2X1-1/2 (2)	1	5	049	161.51
HT2S-334W	3X3/4 (1)	1	5	049	92.65
HT2S-337W	3X1-1/2 (2)	1	5	049	178.15

Part Number	Size	Std Pk	Mstr Ctn	Disc Code	Price Each
-------------	------	--------	----------	-----------	------------

PVC White Hot-Tap Saddles (continued)
EPDM Saddle x Soc (Spigot) SS316 Bolts

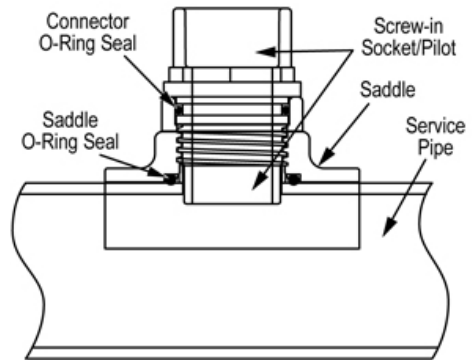
HT2S-416W	4X3/4 (1)	1	5	049	107.03
HT2S-419W	4X1-1/2 (2)	1	0	049	188.34
HT2S-524W	6X3/4 (1)	1	5	049	120.17
HT2S-527W	6X1-1/2 (2)	1	0	049	200.35
HT2S-574W	8X3/4 (1)	1	0	049	132.45
HT2S-577W	8X1-1/2 (2)	1	0	049	212.93

Mechanical Clamp-On Transition Saddles

Designed for Polypropylene-to-PVC pipe transition, but fully suitable for any IPS pipe (metal or plastic) transition to PVC. Excellent for irrigation extensions and lateral take-offs. Pilot on lateral connector prevents saddle movement on pipe. Easy Installation - Clamp saddle to pipe, drill hole, install screw-in pilot/socket lateral connector. Injection molded in distinct blue color.



- Socket Outlet
- 315 psi Pressure Rating @ 73° F
- SS316 Mechanical Clamp
- EPDM O-ring Seals
- Interchangeable 1-1/2" & 2" Lateral Connector Sizes
- Stainless Steel Reinforcing Rings for Extra Strength



Note: Mechanical Clamp Not Shown

Mechanical Clamp-on Transition Saddles

Part Number	Size	Std Pk	Mstr Ctn	Disc Code	Price Each
-------------	------	--------	----------	-----------	------------

Pipe O.D. x Socket

For Polypropylene (or any IPS pipe, metal or plastic) - To - PVC Transitions

865-419	4X1-1/2	1	0	086	319.08
865-420	4X2	1	0	086	326.77
865-527	6X1-1/2	1	0	086	448.75
865-528	6X2	1	0	086	532.92
865-577	8X1-1/2	1	0	086	604.27
865-578	8X2	1	0	086	687.33