

100% Corrosion Resistance - No Metal Parts

Spears® Lab Fixtures have *no metal parts*: this provides full resistance to internal or environmental corrosion. These fixtures are compatible with all laboratory service lines. Lab Fixtures are produced from PVC (gray) and CPVC (for hot water), or special Low-Extractable PVC for high purity applications, and are available in a variety of types and configurations.

- **Deck Mount** – base configuration for horizontal surface mounting.
- **Panel Mount** – base configuration for vertical surface mounting.
- **Standard Gooseneck Units** – select all-plastic needle valve unit (no elastomer seals) for metered flow or ball valve unit (choice of EPDM or Viton® seals) for direct flow. Unit includes valve, gooseneck with serrated tip, and base with nut for mounting. Select Deck or Panel Mount style.
- **Standard Turret Units** – direct flow ball valve (choice of EPDM or Viton® seals) with serrated tip and base with connecting nipple and nut for mounting. Select Deck or Panel Mount style.
- **Remote Valve Units (No Valve)** – same as standard units less valve for use with remotely located valve.
- **Recirculating Units** – Special design provides continuous water motion without dead-leg areas of contamination and potential bacteria build-up. Internal supply tube fully circulates water through the entire fixture when connected to circulating water supply. Unit features gooseneck with terminally mounted all-plastic needle valve and serrated tip (no elastomer seals) for metered flow. Base is Deck Mount only with inlet and outlet connecting nipples with mounting nuts.

NPT - American National Standard Tapered Pipe Thread • NPSM - American National Standard Straight Thread For Free Fitting Mechanical Joints

Viton® is a registered trademark of DuPont Dow Elastomers

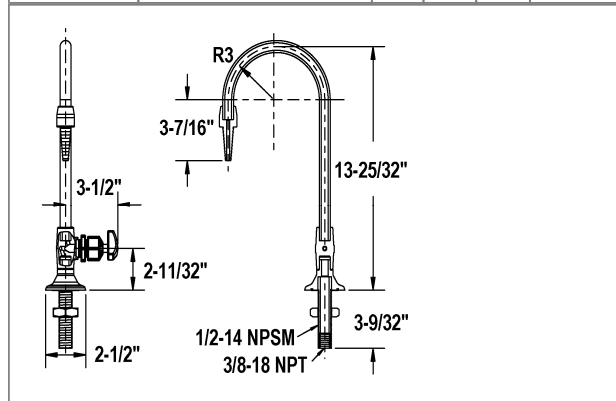
For information on Spears® Low Extractable PVC see publication LXT-4

Standard Gooseneck Units - Deck Mount Lab Fixture -

Part Number	Size	Std Pk	Mstr Ctn	Disc Code	Price Each
-------------	------	--------	----------	-----------	------------

Base with Valve, Gooseneck & Serrated Tip with Needle Valve-Metered Flow

LF1000-N	PVC, PTFE Seal	1	0	218	179.79
LF1000-CN	CPVC, PTFE Seal	1	0	219	224.47
LF1000-BLN	LXT, PTFE Seal	1	0	066	357.55



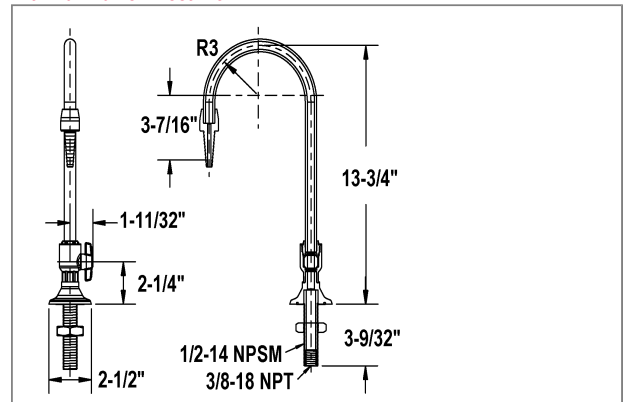
with Ball Valve Direct Flow

LF1002	PVC, EPDM Seal	1	0	218	150.18
LF1003	PVC, Viton® Seal	1	0	218	166.86
LF1002-C	CPVC, EPDM Seal	1	0	219	187.72
LF1003-C	CPVC, Viton® Seal	1	0	219	208.57
LF1002-BL	LXT, EPDM Seal	1	0	066	299.00
LF1003-BL	LXT, Viton® Seal	1	0	066	332.23

Standard Gooseneck Units - Deck Mount Lab Fixture - (continued)

Part Number	Size	Std Pk	Mstr Ctn	Disc Code	Price Each
-------------	------	--------	----------	-----------	------------

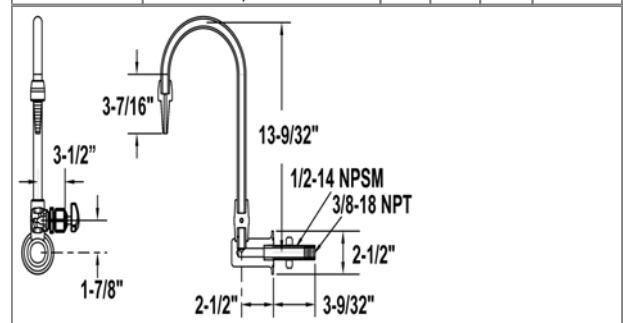
with Ball Valve Direct Flow



Standard Gooseneck Units - Panel Mount Lab Fixture -

Base with Valve, Gooseneck & Serrated Tip with Needle Valve-Metered Flow

LF2000-N	PVC, PTFE Seal	1	0	218	262.02
LF2000-CN	CPVC, PTFE Seal	1	0	219	327.51



Standard Gooseneck Units - Panel Mount Lab Fixture -

with Ball Valve-Direct Flow

LF2002	PVC, EPDM Seal	3	0	218	225.88
LF2003	PVC, Viton® Seal	3	0	218	250.99