

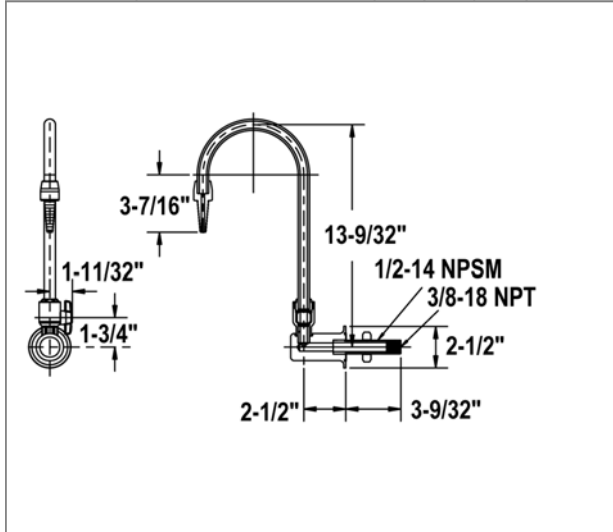


**Lab Specialty Products
Lab Fixtures**

Part Number	Size	Std Pk	Mstr Ctn	Disc Code	Price Each
-------------	------	--------	----------	-----------	------------

**Standard Gooseneck Units - Panel Mount Lab Fixture - (continued)
with Ball Valve-Direct Flow**

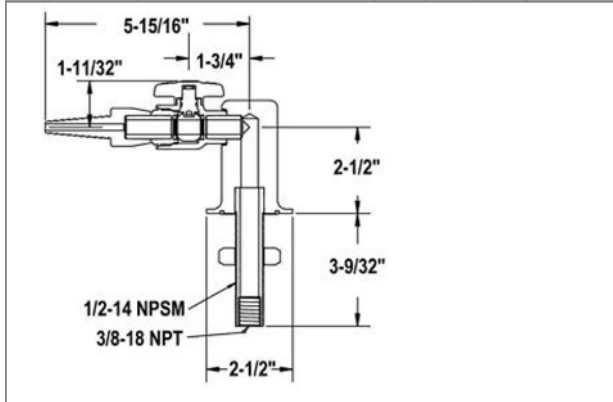
LF2002-C	CPVC, EPDM Seal	1	0	219	282.37
LF2003-C	CPVC, Viton® Seal	1	0	219	313.72



Standard Turret Units - Deck Mount Turret Lab Fixtures Base -

with Valve & Serrated Tip with Ball Valve-Direct Flow

LF4002	PVC, EPDM Seal	1	0	218	190.59
LF4003	PVC, Viton® Seal	1	0	218	211.76
LF4002-C	PVC, EPDM Seal	1	0	219	238.23
LF4003-C	PVC, Viton® Seal	1	0	219	264.71



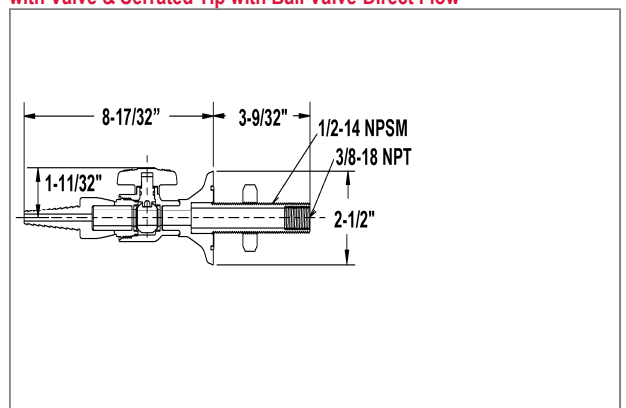
Standard Turret Units - Panel Mount Turret Lab Fixture Base -

with Valve & Serrated Tip with Ball Valve-Direct Flow

LF3002	PVC, EPDM Seal	1	0	218	147.72
LF3003	PVC, Viton® Seal	1	0	218	164.15
LF3002-C	PVC, EPDM Seal	1	0	219	184.67
LF3003-C	PVC, Viton® Seal	1	0	219	205.19
LF3002-BL	PVC, EPDM Seal	1	0	066	294.12
LF3003-BL	PVC, Viton® Seal	1	0	066	326.84

Part Number	Size	Std Pk	Mstr Ctn	Disc Code	Price Each
-------------	------	--------	----------	-----------	------------

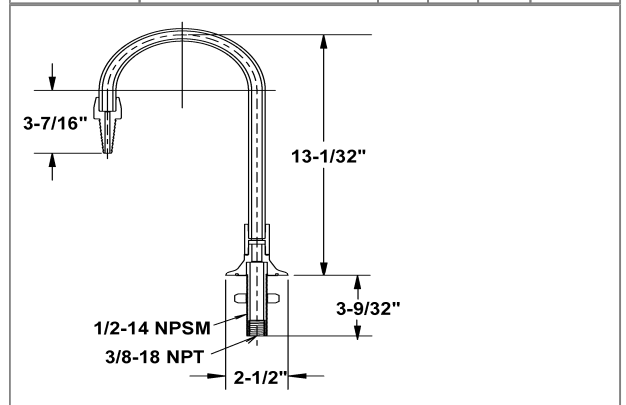
**Standard Turret Units - Panel Mount Turret Lab Fixture Base - (continued)
with Valve & Serrated Tip with Ball Valve-Direct Flow**



Remote Valve Units (No Valve) - Deck Mount Gooseneck -

Base with Gooseneck & Serrated Tip

LF100	PVC	1	0	218	123.24
LF100-C	CPVC	1	0	219	154.06
LF100-BL	LXT	1	0	066	245.37



Remote Valve Units (No Valve) - Panel Mount Gooseneck -

Base with Gooseneck & Serrated Tip

LF104	PVC	1	0	218	152.23
LF104-C	CPVC	1	0	219	190.29

