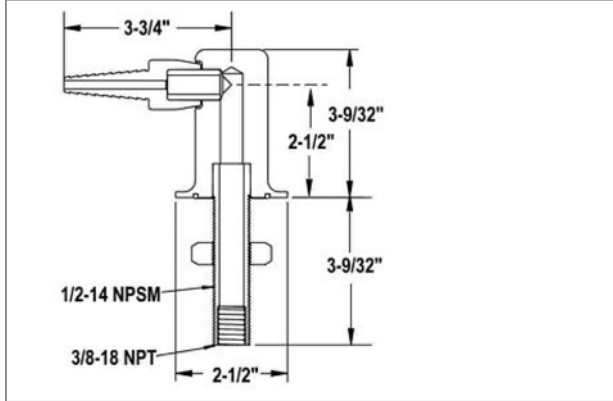




Part Number	Size	Std Pk	Mstr Ctn	Disc Code	Price Each
-------------	------	--------	----------	-----------	------------

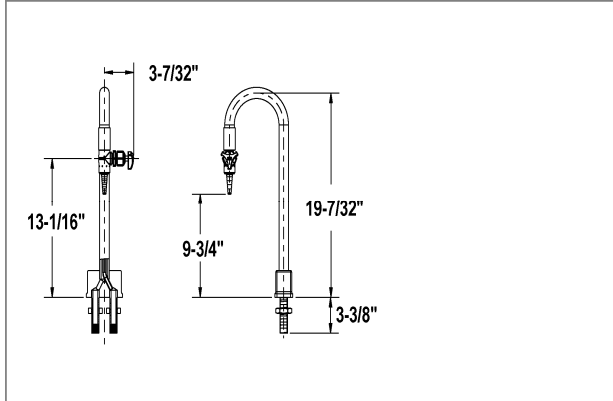
**Remote Valve Units (No Valve) - Deck Mount Turret - Base with Serrated Tip**

LF300	PVC	1	0	218	40.61
LF300-C	CPVC	1	0	219	50.77



**Recirculating Units - Recirculating Deck Mount Lab Fixture - Base with Gooseneck, Valve & Serrated Tip with Needle Valve**

LFR1000-N	PVC, PTFE Seal	1	0	218	312.89
LFR1000-CN	CPVC, PTFE Seal	1	0	219	467.63
LFR1000-BLN	LXT, PTFE Seal	1	0	066	744.85

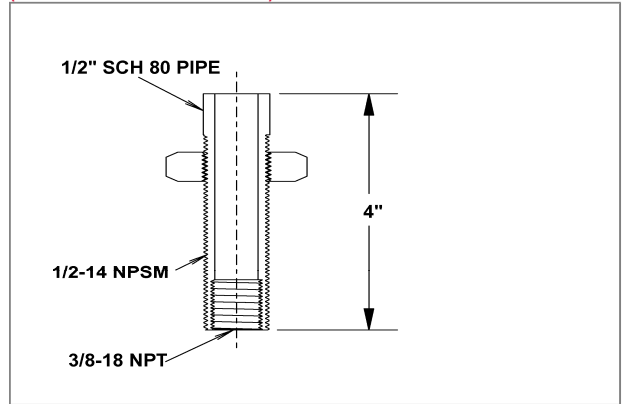


**Accessory/Replacement - Fixture Connection Nipple - (included on all fixtures above) with Locknut**

LF500	PVC	1	0	218	20.39
LF500-C	CPVC	1	0	219	25.50
LF500-BL	LXT	1	0	066	40.64

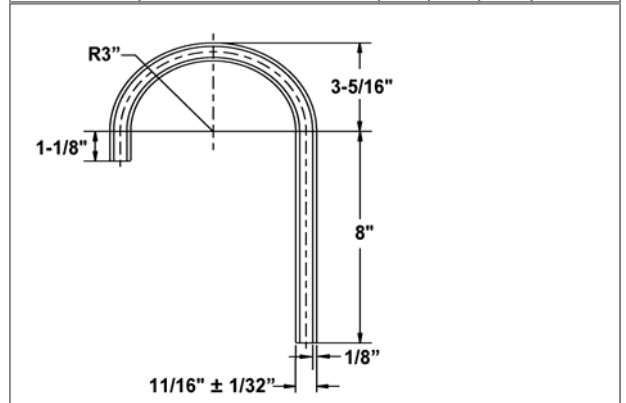
Part Number	Size	Std Pk	Mstr Ctn	Disc Code	Price Each
-------------	------	--------	----------	-----------	------------

**Accessory/Replacement - Fixture Connection Nipple - (continued) (included on all fixtures above) with Locknut**



**Accessory/Replacement - Gooseneck (3/8")**

LFGN	PVC	1	0	218	17.33
LFGN-C	CPVC	1	0	219	21.69
LFGN-BL	LXT	1	0	066	34.54



**Accessory/Replacement - Straight Serrated Tip**

LF400	PVC	600	0	218	3.67
LF400-C	CPVC	600	0	219	4.61
LF400-BL	LXT	600	0	066	7.31

