

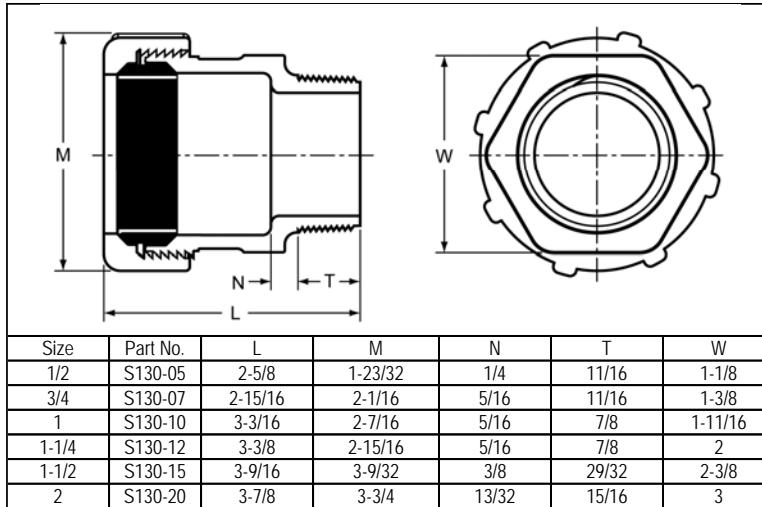
Schedule 40 Fittings & Accessories Compression Male Adapters



- Quickly Adapts Pipe to MIPT Thread
- Easy-Thread Compression Nut
- PVC White with Buna-N Gasket
- 200 psi Pressure Rating
- NSF® Certified for Potable Water Use

Uses same Nut Wrench sets available for Compression Couplings

Basic Dimensions



PVC Compression Male Adapters

Part Number	Size	Std Pk	Mstr Ctn	Disc Code	Price Each
-------------	------	--------	----------	-----------	------------

Buna-N Gasket

S130-05	1/2	25	150	024	2.98
S130-07	3/4	25	200	024	3.60
S130-10	1	25	0	024	4.57
S130-12	1-1/4	25	0	024	7.02
S130-15	1-1/2	25	0	024	7.20
S130-20	2	25	0	024	8.98