

# Product data sheet

Specifications

SQUARE D

Green Premium™



Transformer, Type T, industrial control, 150VA, 1 phase, 277V primary, 120V secondary, 55C rise

9070T150D4

Product availability : Stock - Normally stocked in distribution facility

**Price\* : 276.00 USD**

## Main

Product Type Industrial Control Transformer

Type T

## Complementary

Number of Phases 1 phase

Power Rating 150 VA UL  
150 VA CSA  
150 VA NOM  
150 VA CE

Primary to Secondary Voltage 277 V 120 V

Temperature Rise 55 °C

Electrical Connection Screw clamp terminals

Height 3.2 in (81.28 mm)

Width 3.75 in (95.25 mm)

Depth 3.59 in (91.19 mm)

Material Copper winding

Fingersafe Cover Compatibility FSC1

## Environment

Certifications UL listed file E61239  
CSA file LR37055 guide 184-N-90

Enclosure Type Not rated (open device)

Insulation Temperature 221 °F (105 °C)

## Ordering and shipping details

Category 16200-9070 T (NOT TF) 50-200VA

Discount Schedule CP8

GTIN 785901905707

Returnability Yes

Country of origin MX

\* Price is "List Price" and may be subject to a trade discount – check with your local distributor or retailer for actual price.

## Packing Units

Unit Type of Package 1	PCE
Number of Units in Package 1	1
Package 1 Height	4.00 in (10.16 cm)
Package 1 Width	4.20 in (10.668 cm)
Package 1 Length	3.70 in (9.398 cm)
Package 1 Weight	5.57 lb(US) (2.527 kg)

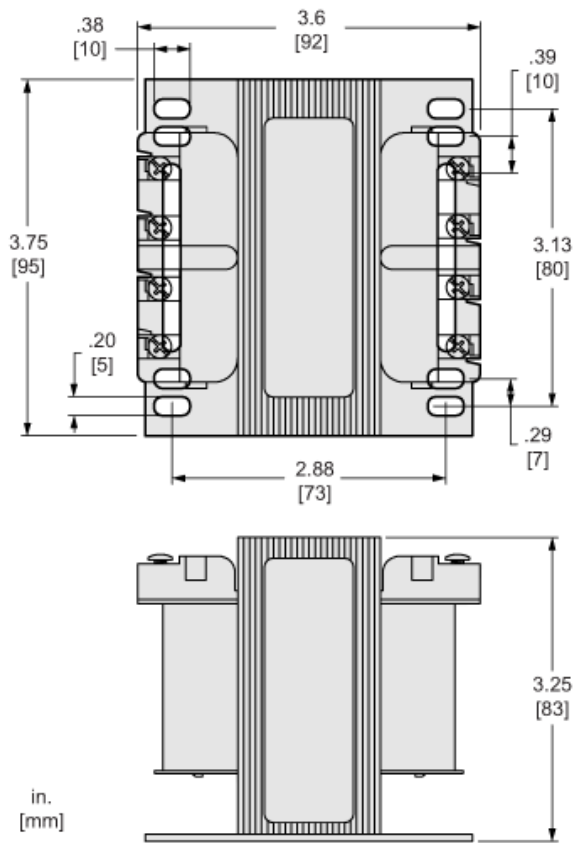
## Offer Sustainability

Sustainable offer status	Green Premium product
California proposition 65	WARNING: This product can expose you to chemicals including: Phenyl glycidyl ether, which is known to the State of California to cause cancer and birth defects or other reproductive harm. For more information go to <a href="http://www.P65Warnings.ca.gov">www.P65Warnings.ca.gov</a>
REACH Regulation	<a href="#">REACH Declaration</a>
EU RoHS Directive	Compliant <a href="#">EU RoHS Declaration</a>
Mercury free	Yes
China RoHS Regulation	<a href="#">China RoHS declaration</a> Product out of China RoHS scope. Substance declaration for your information.
RoHS exemption information	Yes
Environmental Disclosure	<a href="#">Product Environmental Profile</a>
PVC free	Yes

## Contractual warranty

Warranty	10 Years
----------	----------

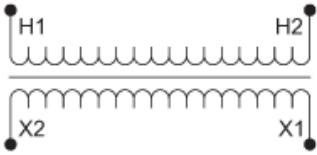
Approximate Dimensions



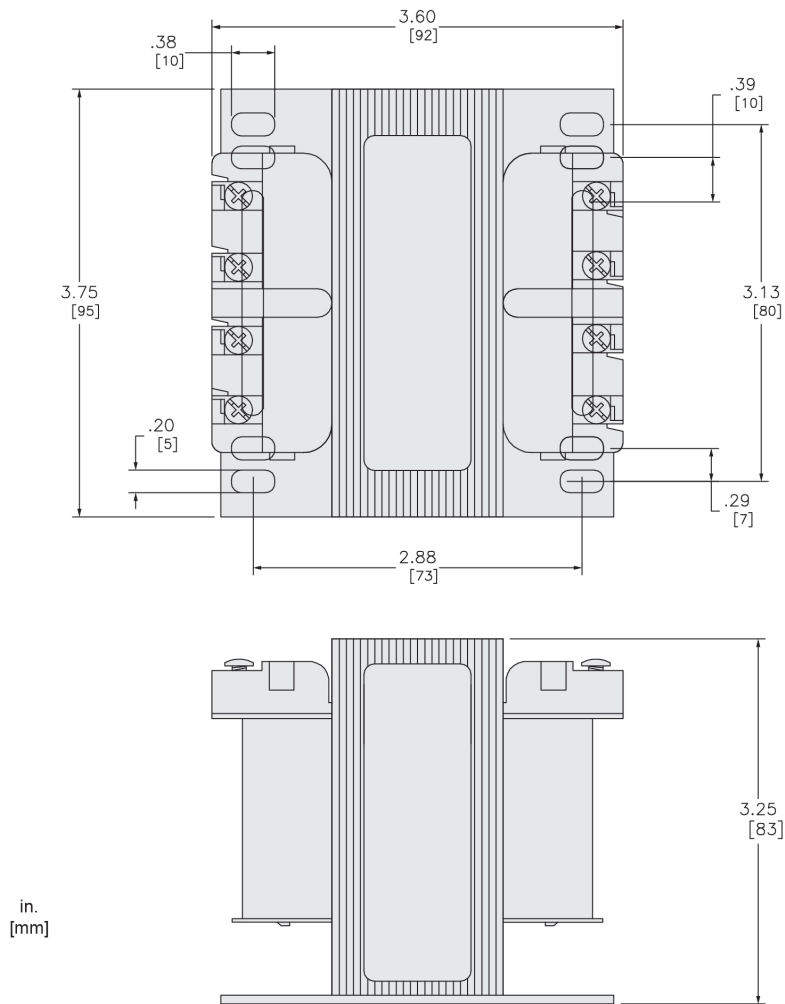
**Connections and Wiring Diagrams**

**Voltage and Connection Options**

Voltage Code	Voltages		Connections	
	Primary	Secondary	Primary	Secondary
D3	208	120	Connect to H1 and H2	Connect to X1 and X2
D4	277	120		
D5	550	110		
	575	115		
	600	120		
D6	380	110		
D17	415	110		
D24	110	110		
	115	115		
	120	120		
D93	200	115		
D103	400	120		



Dimensions



Recommended replacement(s)