

Product data sheet

Specifications

SQUARE D

Green Premium™



Safety switch, heavy duty, non fusible, 30A, 3 poles, 30hp, 600VAC/DC, NEMA 4X krydon™ fiberglass polyester

HU361DX

Product availability : Stock - Normally stocked in distribution facility

Price* : 3,960.00 USD

Main

Product	Single Throw Safety Switch
Duty Rating	Heavy duty
Device Application	Heavy application
Disconnect Type	Non-fusible disconnect
Factory Installed Neutral	None
Phase	3 phase
Number of Poles	3
Current Rating	30 A
Voltage Rating	600 V AC/DC
Enclosure Rating	NEMA 4X Krydon - compression molded fiberglass reinforced polyester
Motor power hp	20 hp at 480 V AC 50-60 Hz for 3 phase motors 30 hp at 600 V AC 50-60 Hz for 3 phase motors 15 hp at 600 V DC

Complementary

Mounting Type	Surface
Electrical Connection	Lugs
Wiring configuration	3-wire
Wire Size	AWG 12...AWG 6 aluminium AWG 14...AWG 6 copper
Tightening torque	45 lbf.in (5.08 N.m) 0.02 in ² (13.3 mm ²) (AWG 6) 40 lbf.in (4.52 N.m) 0.01 in ² (8.367 mm ²) (AWG 8) 35 lbf.in (3.95 N.m) 0.00...0.01 in ² (2.06...5.261 mm ²) (AWG 14...AWG 10)
Depth	8.6 in (218.44 mm)
Width	11.4 in (289.56 mm)
Height	19.4 in (492.76 mm)
Net Weight	29.98 lb(US) (13.6 kg)

Environment

Certifications	UL listed file E2875
----------------	----------------------

* Price is "List Price" and may be subject to a trade discount – check with your local distributor or retailer for actual price.

Ordering and shipping details

Category	00111-H&HU SW,N4X(DF,DX)NON-MET
Discount Schedule	DE1
GTIN	785901549116
Returnability	Yes
Country of origin	US

Packing Units

Unit Type of Package 1	PCE
Number of Units in Package 1	1
Package 1 Height	19.41 in (49.3 cm)
Package 1 Width	11.42 in (29 cm)
Package 1 Length	8.58 in (21.8 cm)
Package 1 Weight	28.25 lb(US) (12.814 kg)

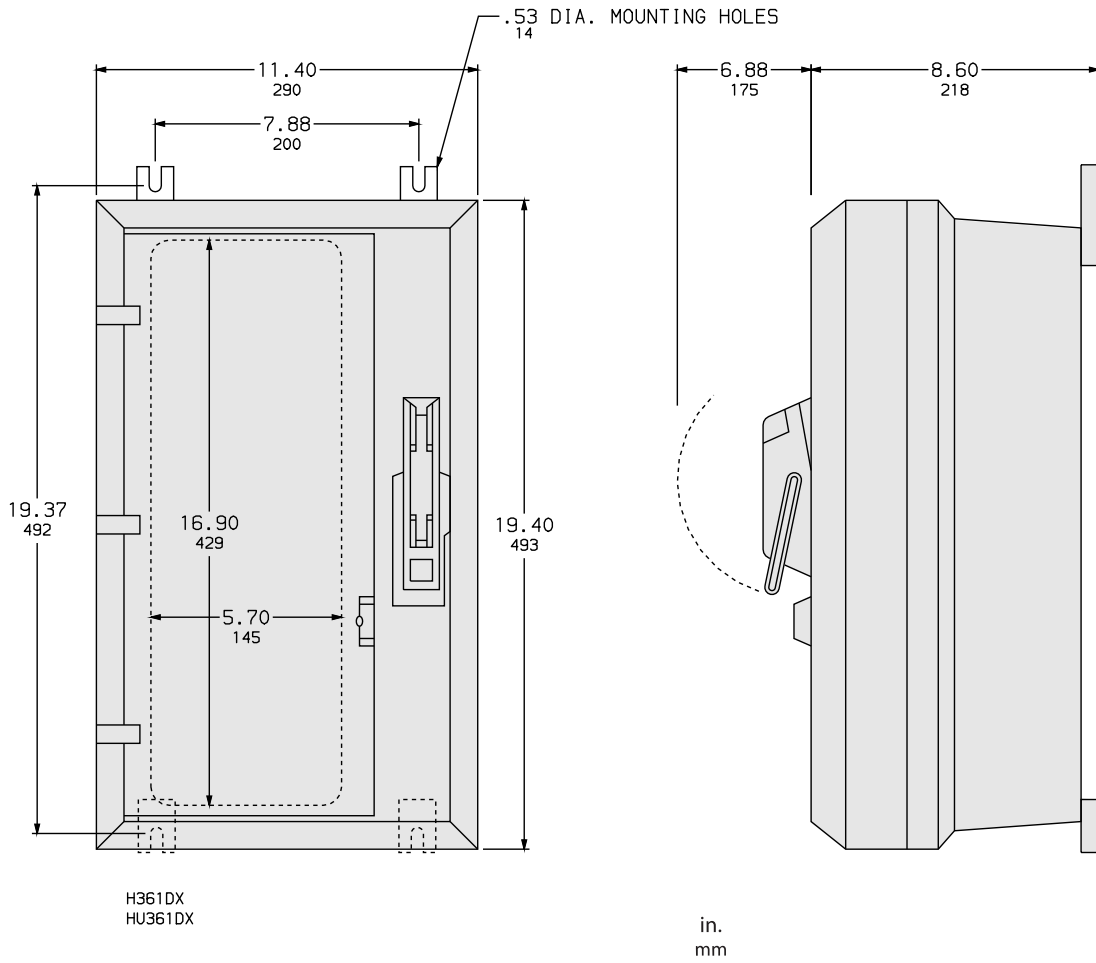
Offer Sustainability

Sustainable offer status	Green Premium product
California proposition 65	WARNING: This product can expose you to chemicals including: Lead and lead compounds, which is known to the State of California to cause cancer and birth defects or other reproductive harm. For more information go to www.P65Warnings.ca.gov
REACH Regulation	REACH Declaration
EU RoHS Directive	Compliant EU RoHS Declaration
Mercury free	Yes
China RoHS Regulation	China RoHS declaration Product out of China RoHS scope. Substance declaration for your information.
RoHS exemption information	Yes
Environmental Disclosure	Product Environmental Profile
PVC free	Yes

Contractual warranty

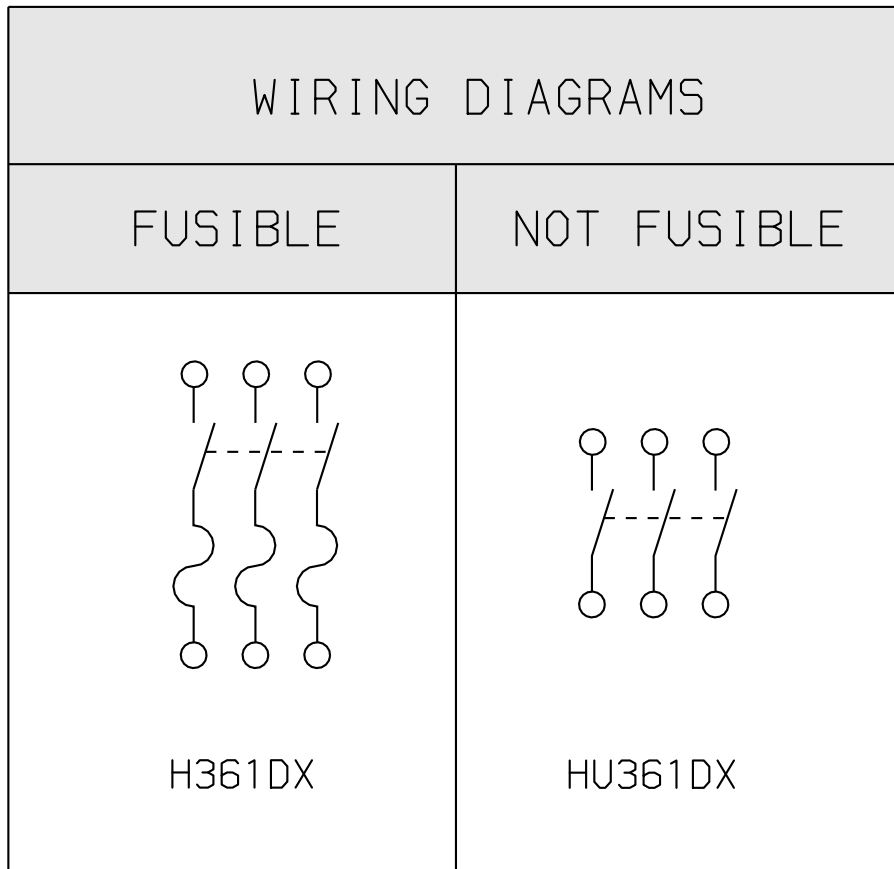
Warranty	18 months
----------	-----------

Dimensions



ALL DIMENSIONS ARE APPROXIMATE.
 REFER TO CAD, TECHNICAL DRAWINGS, AND
 DOCUMENTATION FOR COMPLETE INFORMATION.

Wiring Diagram



REFER TO CAD, TECHNICAL DRAWINGS, AND DOCUMENTATION FOR COMPLETE INFORMATION.

Recommended replacement(s)