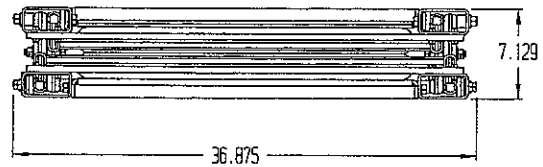
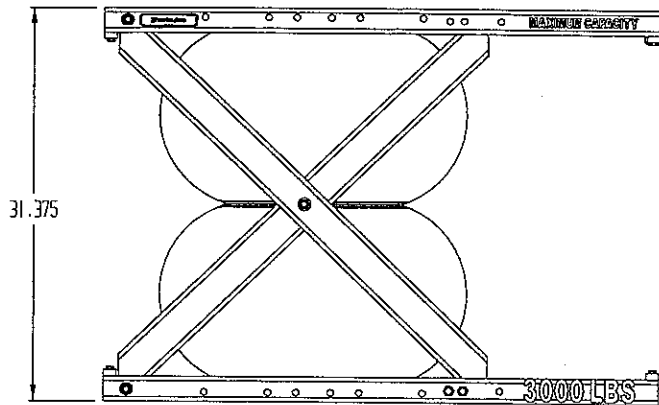
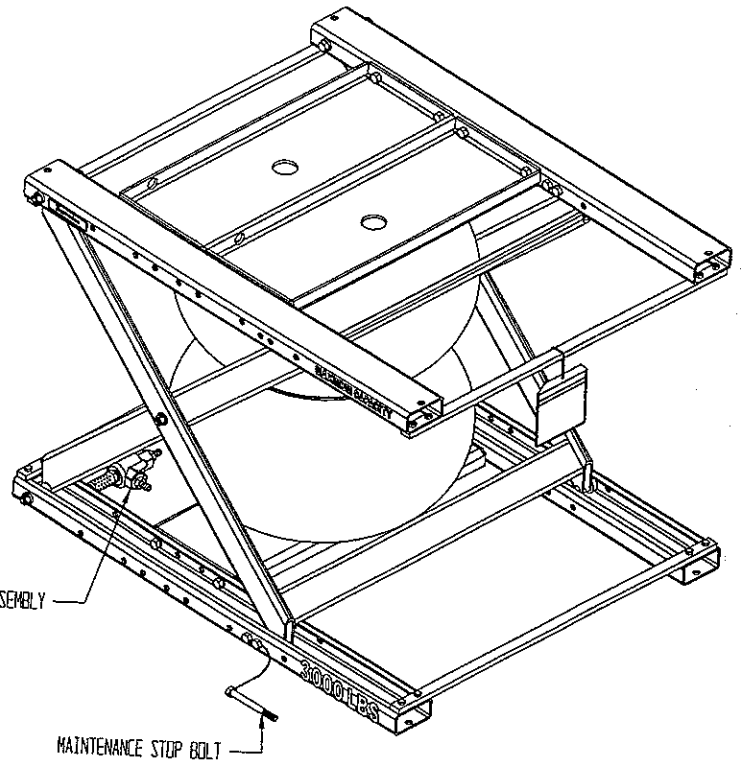
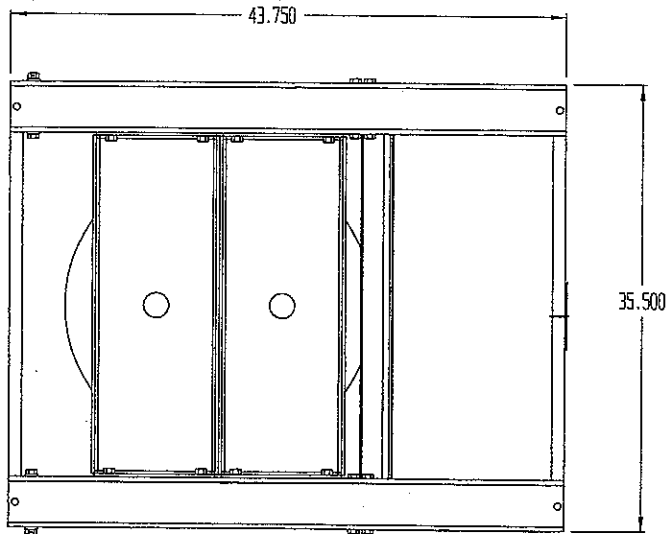


**** Any additions, deletions or omissions must be corrected on this drawing, as this drawing will be considered all inclusive. ****
**** All graphics provided are for reference only. If certain dimensions are critical please verify those dimensions with your salesperson ****

AIR BAG SCISSOR LIFT TABLE, ABLT-H-3-32



STANDARD FEATURES

- MODEL NUMBER: ABLT-H-3-32
- CAPACITY: 3,000 LBS.
- PLATFORM WIDTH: 35 1/2"
- PLATFORM LENGTH: 43 3/4"
- PLATFORM LOWERED HEIGHT: 7"
- PLATFORM RAISED HEIGHT: 32"
- AIR REQUIREMENT: 80 - 100 PSI @ 15 CFM
- STANDARD PRESSURE RELIEF VALVE
- STANDARD MAINTENANCE STOPS

SPECIAL FEATURES

NONE

| | | |
|--|--|-------------|
| A P P R O V A L | I, THE UNDERSIGNED, AGREE THAT THE PRODUCT AS REPRESENTED SATISFIES DESIGN & DIMENSION REQUIREMENTS. I ALSO ACKNOWLEDGE MY DUTY TO CONFIRM PRODUCT & INSTALLATION COMPLIANCE WITH ALL APPLICABLE FEDERAL, STATE AND LOCAL REGULATIONS & STANDARDS. | |
| | ALL SPECIAL UNITS ARE NON-RETURNABLE | |
| | [] As drawn [] As marked | |
| | Signed: _____ | Date: _____ |
| LEAD TIME WILL START UPON RECEIPT OF SIGNED APPROVAL DRAWING | | |

| | | |
|-----------------------------|---------------|------------------|
| DISTRIBUTOR'S NAME: | | P.O.#: - |
| VESTIL MANUFACTURING | | W.D.#: - |
| DRAWN BY: SR | DATE: 4-14-09 | SALES: - |
| REFERENCE: | | DRWG. FILE NAME: |
| - | | SCALE: NTS |
| | | ABLT-H-3-32 |