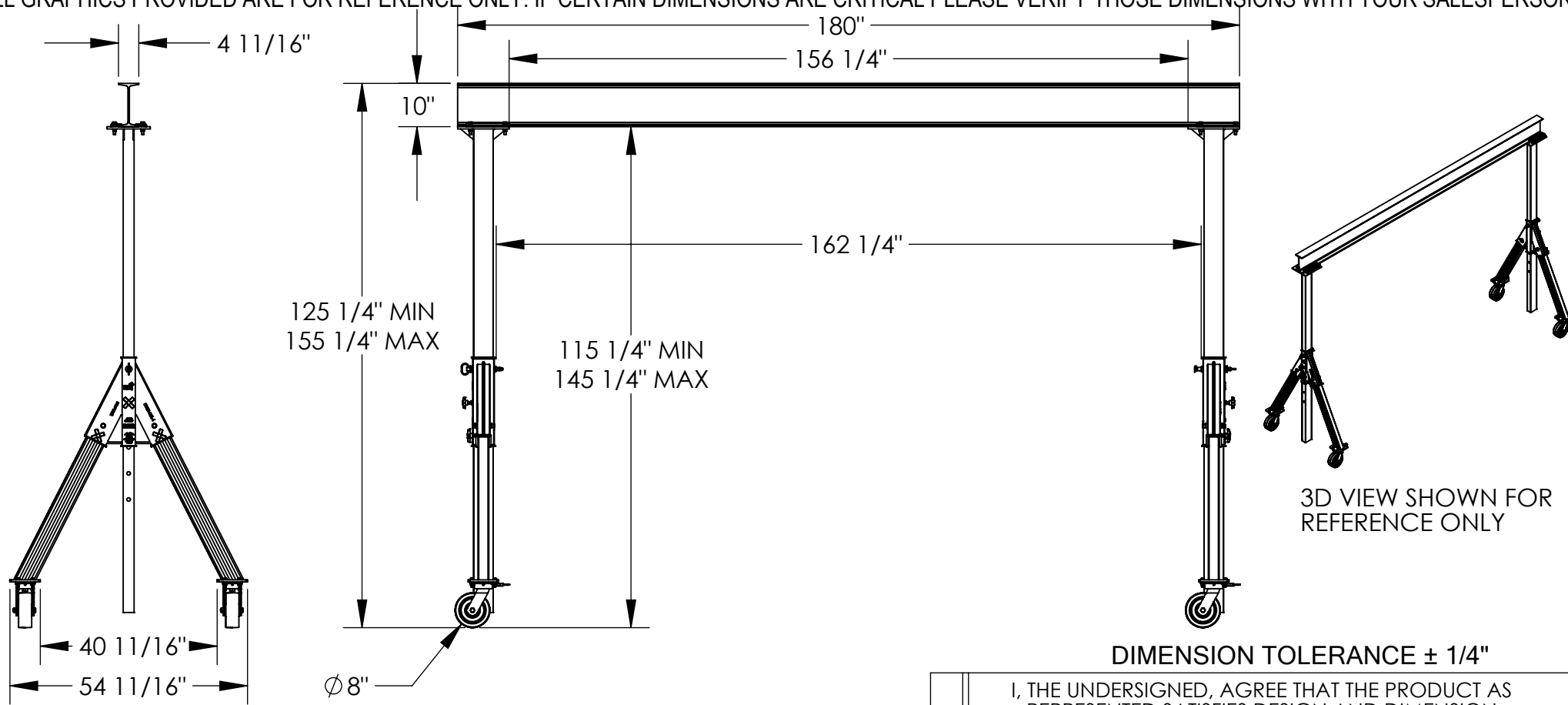


# ADJUSTABLE ALUMINUM GANTRY CRANE - AHA-4-15-12

APPROX WEIGHT: 442 lbs.  
 DOES NOT INCLUDE WEIGHT OF POWER OR PACKAGING!!!

\*\*\* ANY ADDITIONS, DELETIONS, OR OMISSIONS MUST BE CORRECTED ON THIS DRAWING AS THIS DRAWING WILL BE CONSIDERED ALL INCLUSIVE \*\*\*

ALL GRAPHICS PROVIDED ARE FOR REFERENCE ONLY. IF CERTAIN DIMENSIONS ARE CRITICAL PLEASE VERIFY THOSE DIMENSIONS WITH YOUR SALESPERSON



3D VIEW SHOWN FOR REFERENCE ONLY

DIMENSION TOLERANCE ± 1/4"

## STANDARD FEATURES

- MODEL NUMBER IS AHA-4-15-12
- CAPACITY IS 4,000 LBS.
- BASE WIDTH IS 54 11/16"
- MAX OVERALL HEIGHT IS 155 1/4"
- I-BEAM HEIGHT IS 10"
- I-BEAM FLANGE WIDTH IS 4 11/16"
- OVERALL I-BEAM LENGTH IS 180"
- USABLE I-BEAM LENGTH IS 156 1/4"
- ADJUSTABLE UNDER I-BEAM HEIGHT
  - 115 1/4" MIN
  - 145 1/4" MAX
- HEIGHT IS ADJUSTABLE IN 6" INCREMENTS
- CASTERS: (4) Ø8" X 3" WIDE PHENOLIC SWIVEL CASTERS WITH FOUR LOCKING POSITIONS
- CRANE MAY BE TAKEN APART AND BUNDLED WITH (2) INCLUDED STRAPS FOR EASY TRANSPORT
- ALUMINUM CONSTRUCTION

## SPECIAL FEATURES

NONE

<b>APPROVAL</b>	I, THE UNDERSIGNED, AGREE THAT THE PRODUCT AS REPRESENTED SATISFIES DESIGN AND DIMENSION REQUIREMENTS. I ALSO ACKNOWLEDGE MY DUTY TO CONFIRM PRODUCT AND INSTALLATION COMPLIANCE WITH ALL APPLICABLE FEDERAL, STATE AND LOCAL REGULATIONS AND STANDARDS.	
	<b>UNITS REQUIRING APPROVAL DRAWINGS OR MODIFIED ARE NON-RETURNABLE</b>	
	<input type="checkbox"/> As drawn	<input type="checkbox"/> As marked
	Signed: _____	Date: _____
	Printed Name: _____	
	<b>LEAD TIME WILL START UPON RECEIPT OF SIGNED APPROVAL DRAWING</b>	

DISTRIBUTOR'S NAME:		P.O.#
<b>VESTIL MANUFACTURING</b>		X
		W.O.#
DRAWN BY: ND		X
DATE: 03/25/11		SALES: X
REFERENCE: X	SCALE: 1:34	FILE NAME:
QUOTED LEAD TIME: X	QUOTE # X	28-007-231