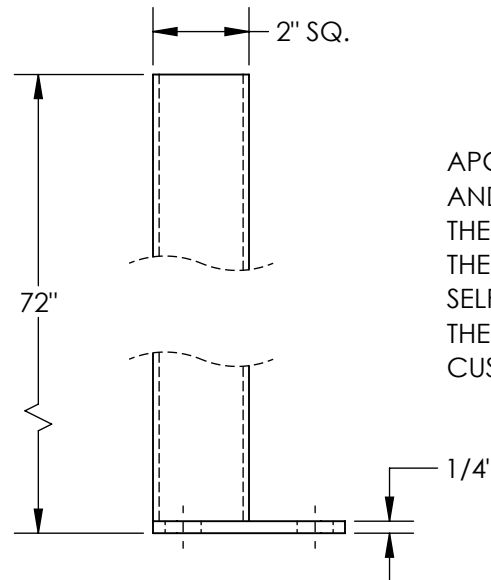
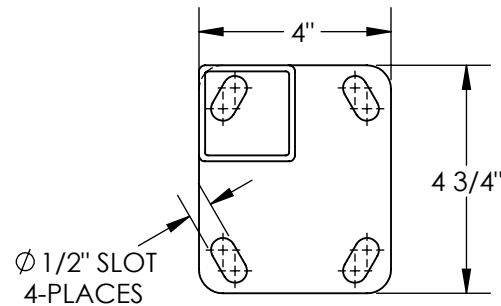


CORNER POST - APG-P6-C

*** ANY ADDITIONS, DELETIONS, OR OMISSIONS MUST BE CORRECTED ON THIS DRAWING AS THIS DRAWING WILL BE CONSIDERED ALL INCLUSIVE ***
 ALL GRAPHICS PROVIDED ARE FOR REFERENCE ONLY. IF CERTAIN DIMENSIONS ARE CRITICAL PLEASE VERIFY THOSE DIMENSIONS WITH YOUR SALESPERSON



APG KIT #23-154-014 CONTAINS THE BRACKETS AND HARDWARE FOR MOUNTING THE APG-M PANELS. THERE ARE (4) KITS INCLUDED WITH EACH PANEL. THE BRACKETS ARE ATTACHED TO THESE POSTS WITH SELF-DRILLING SCREWS INCLUDED IN THE APG KIT. THE SCREWS ARE LOCATED DURING ASSEMBLY BY THE CUSTOMER TO ALLOW CUSTOM PLACEMENT.

STANDARD FEATURES

- MODEL NUMBER IS APG-P6-C
- BASE WIDTH IS: 4"
- BASE LENGTH IS: 4 3/4"
- BASE THICKNESS IS: 1/4"
- OVERALL HEIGHT IS: 72"
- POST TO BE USED FOR MOUNTING APG-M PANELS AND APG-DR-54 DOOR (SOLD SEPERATLY)
- (4) SLOTS PROVIDED IN BASE FOR MOUNTING POSTS
- TOUGH BAKED IN POWDER COATED YELLOW FINISH
- APPROXIMATE PRODUCT WEIGHT IS 20 LBS.

SPECIAL FEATURES

NONE

APPROVAL	I, THE UNDERSIGNED, AGREE THAT THE PRODUCT AS REPRESENTED SATISFIES DESIGN AND DIMENSION REQUIREMENTS. I ALSO ACKNOWLEDGE MY DUTY TO CONFIRM PRODUCT AND INSTALLATION COMPLIANCE WITH ALL APPLICABLE FEDERAL, STATE AND LOCAL REGULATIONS AND STANDARDS.	
	UNITS REQUIRING APPROVAL DRAWINGS OR MODIFIED ARE NON-RETURNABLE	
	<input type="checkbox"/> As drawn	<input type="checkbox"/> As marked
	Signed: _____	Date: _____
	Printed Name: _____	
	<i>LEAD TIME WILL START UPON RECEIPT OF SIGNED APPROVAL DRAWING</i>	

DISTRIBUTOR'S NAME:		P.O.#
VESTIL MANUFACTURING		X
DRAWN BY: T. MOORE		W.O.#
DATE: 02/19/10		X
REFERENCE: X	SCALE: 1:4	SALES: X
QUOTED LEAD TIME: X	QUOTE #	FILE NAME:
	X	23-007-335