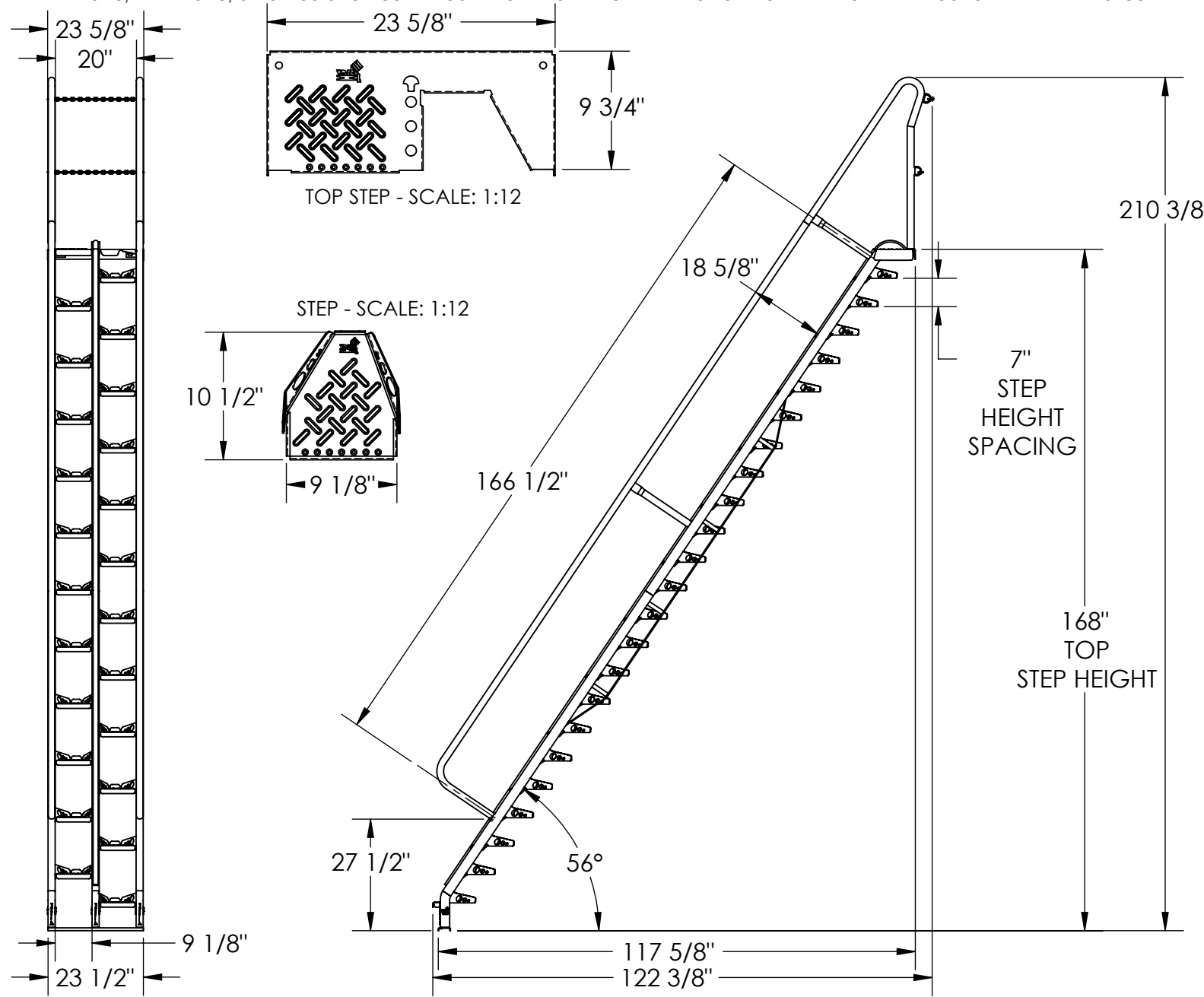


# ALTERNATING TREAD STAIR - ATS-14-56-HDG

APPROX WEIGHT: 374.05 lbs.  
 DOES NOT INCLUDE WEIGHT OF POWER OR PACKAGING!!!

\*\*\*ANY ADDITIONS, DELETIONS, OR OMISSIONS MUST BE CORRECTED ON THIS DRAWING AS THIS DRAWING WILL BE CONSIDERED ALL INCLUSIVE\*\*\*



ALL GRAPHICS PROVIDED ARE FOR REFERENCE ONLY. IF CERTAIN DIMENSIONS ARE CRITICAL PLEASE VERIFY THOSE DIMENSIONS WITH YOUR SALESPERSON

DIMENSION TOLERANCE ± 1/4"

- STANDARD FEATURES**
- MODEL NUMBER: ATS-14-56-HDG
  - CLIMB ANGLE: 56°
  - NUMBER OF STEPS: 24 (INCLUDING TOP STEP)
  - TOP STEP HEIGHT: 168"
  - STEP HEIGHT SPACING: 7"
  - HANDRAIL HEIGHT: 18 5/8"
  - OVERALL HEIGHT: 210 3/8"
  - OVERALL LENGTH: 122 3/8"
  - OVERALL WIDTH: 23 1/2"
  - CHAIN GATES AT TOP STEP
  - RUBBER BUMPER STRIP
  - MAX CAPACITY IS 350 LBS
  - HOT DIPPED GALVANIZED FINISH

**SPECIAL FEATURES**  
 NONE

I, THE UNDERSIGNED, AGREE THAT THE PRODUCT AS REPRESENTED SATISFIES DESIGN AND DIMENSION REQUIREMENTS. I ALSO ACKNOWLEDGE MY DUTY TO CONFIRM PRODUCT AND INSTALLATION COMPLIANCE WITH ALL APPLICABLE FEDERAL, STATE AND LOCAL REGULATIONS AND STANDARDS.

**UNITS REQUIRING APPROVAL DRAWINGS OR MODIFIED ARE NON-RETURNABLE**

As drawn       As marked

Signed: \_\_\_\_\_ Date: \_\_\_\_\_

Printed Name: \_\_\_\_\_

*LEAD TIME WILL START UPON RECEIPT OF SIGNED APPROVAL DRAWING*

DISTRIBUTOR'S NAME:		P.O.#
VESTIL MANUFACTURING		X
DRAWN BY: TJH		DATE: 11/17/2021
DATE: 11/17/2021		SALES: X
REFERENCE: X	SCALE: 1:36	FILE NAME:
QUOTED LEAD TIME: X	QUOTE # X	44-007-766