

ARCHITECTURAL COLORED BOLLARDS - BOLA-42-4.5-BRN-EB

APPROX WEIGHT: 24.52 lbs.
 DOES NOT INCLUDE WEIGHT OF POWER OR PACKAGING!!!

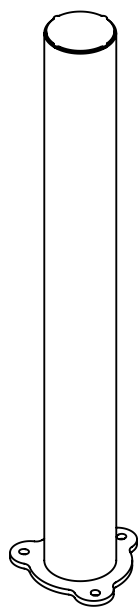
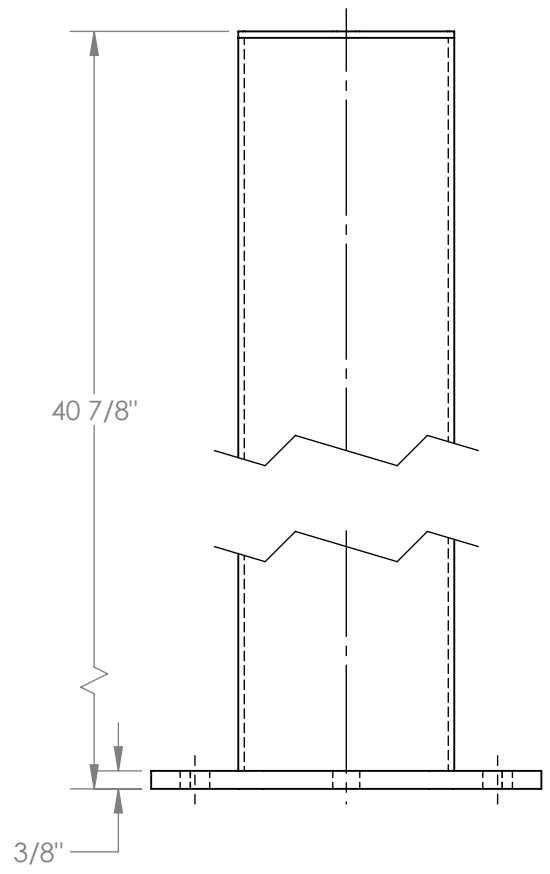
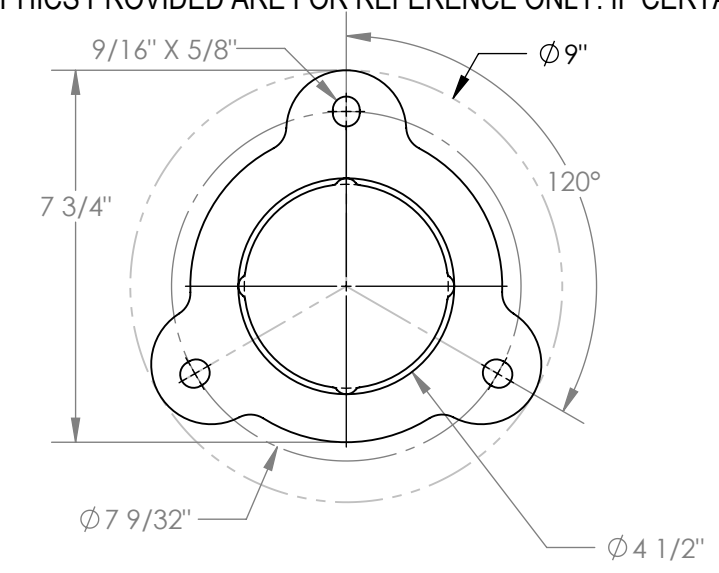
*** ANY ADDITIONS, DELETIONS, OR OMISSIONS MUST BE CORRECTED ON THIS DRAWING AS THIS DRAWING WILL BE CONSIDERED ALL INCLUSIVE ***
 ALL GRAPHICS PROVIDED ARE FOR REFERENCE ONLY. IF CERTAIN DIMENSIONS ARE CRITICAL PLEASE VERIFY THOSE DIMENSIONS WITH YOUR SALESPERSON

STANDARD FEATURES

- MODEL NUMBER IS BOLA-42-4.5-BRN-EB
- OVERALL DIAMETER IS $\phi 9"$
- OVERALL HEIGHT IS $40 \frac{7}{8}"$
- PIPE DIAMETER IS: $\phi 4 \frac{1}{2}"$
- LAG MOUNTING PLATE THICKNESS: $\frac{3}{8}"$
- LAG DOWN MOUNTING PLATE WITH $\frac{1}{2}"$ DIA.
- ANCHOR BOLTS (SOLD SEPERATELY) USING THE $\frac{9}{16}" \times \frac{5}{8}"$ SLOTS
- TOUGH BAKED-IN POWDER-COAT
- EARTH BROWN FINISH

SPECIAL FEATURES

none



DIMENSION TOLERANCE $\pm 1/4"$

APPROVAL

I, THE UNDERSIGNED, AGREE THAT THE PRODUCT AS REPRESENTED SATISFIES DESIGN AND DIMENSION REQUIREMENTS. I ALSO ACKNOWLEDGE MY DUTY TO CONFIRM PRODUCT AND INSTALLATION COMPLIANCE WITH ALL APPLICABLE FEDERAL, STATE AND LOCAL REGULATIONS AND STANDARDS.

ANY MODIFIED UNITS ARE NON-RETURNABLE

As drawn As marked

Signed: _____ Date: _____

Printed Name: _____

LEAD TIME WILL START UPON RECEIPT OF SIGNED APPROVAL DRAWING

FOR INTERNAL USE ONLY PROJECT SIGN OFF	
SALES	
ENG.	
FAB.	
POWER	

DISTRIBUTOR'S NAME:		P.O.#
VESTIL MANUFACTURING		X
W.O.#		X
DRAWN BY: TAL	DATE: 05/17/2016	SALES: X
REFERENCE: X	SCALE: 1:4	FILE NAME:
QUOTED LEAD TIME: X	QUOTE # X	23-007-611-005