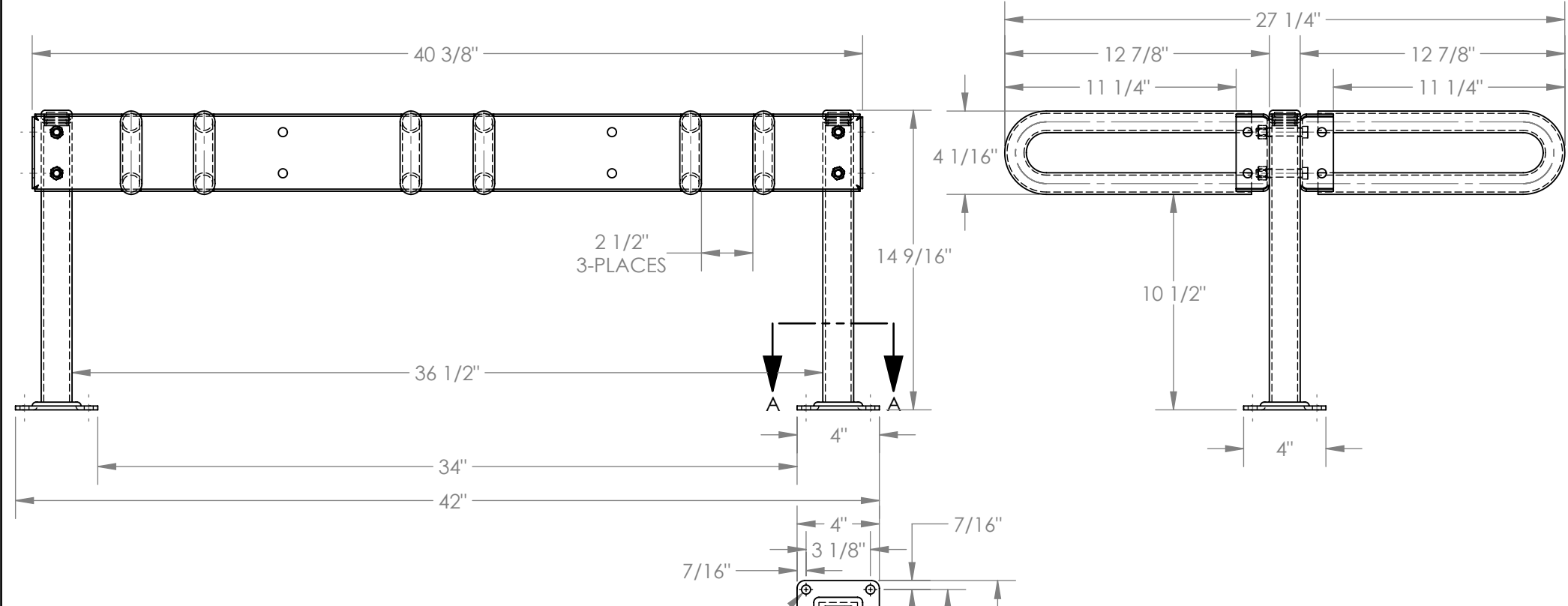


DOUBLE GROUND MOUNTED BICYCLE RACK - BR-M3D-BK

APPROX WEIGHT: 50.84 lbs. DOES NOT INCLUDE WEIGHT OF POWER OR PACKAGING!!!

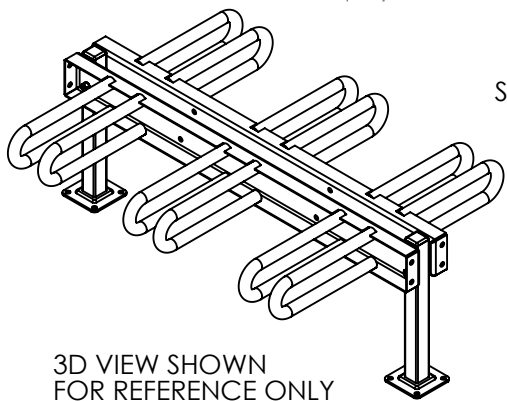
*** ANY ADDITIONS, DELETIONS, OR OMISSIONS MUST BE CORRECTED ON THIS DRAWING AS THIS DRAWING WILL BE CONSIDERED ALL INCLUSIVE ***

ALL GRAPHICS PROVIDED ARE FOR REFERENCE ONLY. IF CERTAIN DIMENSIONS ARE CRITICAL PLEASE VERIFY THOSE DIMENSIONS WITH YOUR SALESPERSON



STANDARD FEATURES

- MODEL NUMBER IS BR-M3D-BK
- OVERALL WIDTH IS 27 1/4"
- USABLE WIDTH IS 11 1/4"
- OVERALL LENGTH IS 42"
- USABLE LENGTH IS 40 3/8"
- OVERALL HEIGHT IS 14 9/16"
- (8) Ø7/16" MOUNTING HOLES
- BLACK POWDER COAT FINISH



3D VIEW SHOWN FOR REFERENCE ONLY

SECTION A-A

DIMENSION TOLERANCE ± 1/4"

APPROVAL

I, THE UNDERSIGNED, AGREE THAT THE PRODUCT AS REPRESENTED SATISFIES DESIGN AND DIMENSION REQUIREMENTS. I ALSO ACKNOWLEDGE MY DUTY TO CONFIRM PRODUCT AND INSTALLATION COMPLIANCE WITH ALL APPLICABLE FEDERAL, STATE AND LOCAL REGULATIONS AND STANDARDS.
ALL SPECIAL UNITS ARE NON-RETURNABLE
 As drawn As marked

Signed: _____ Date: _____

LEAD TIME WILL START UPON RECEIPT OF SIGNED APPROVAL DRAWING

SPECIAL FEATURES

NONE

| | |
|---|--|
| FOR INTERNAL USE ONLY PROJECT SIGN OFF | |
| SALES | |
| ENG. | |
| FAB. | |
| POWER | |

| | | |
|----------------------|----------|------------|
| DISTRIBUTOR'S NAME: | | P.O.# |
| VESTIL MANUFACTURING | | X |
| DRAWN BY: | DATE: | W.O.# |
| ND | 7/2/2015 | X |
| REFERENCE: | SCALE: | SALES: |
| X | 1:7 | X |
| QUOTED LEAD TIME: | QUOTE # | FILE NAME: |
| X | X | 31-007-206 |