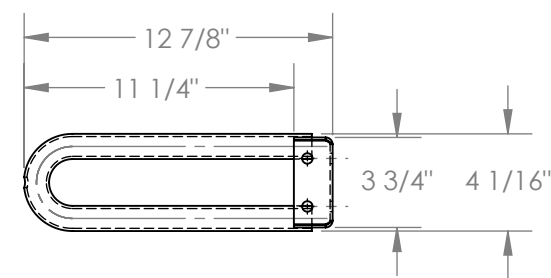
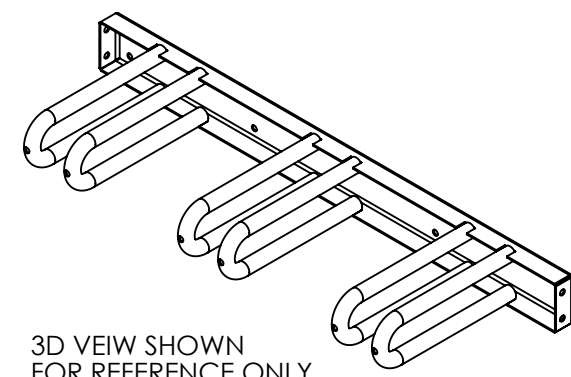
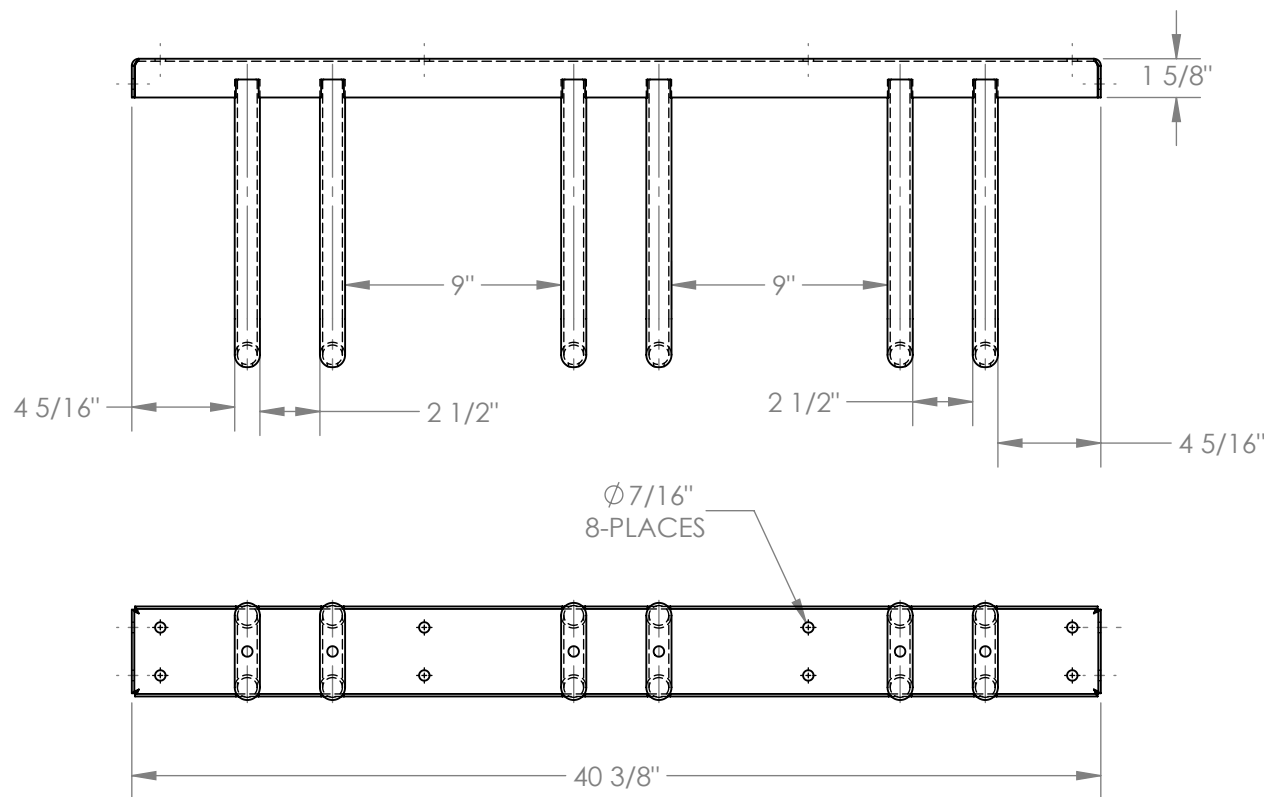


GALVANIZED WALL MOUNTED BICYCLE RACK - BR-M3S-W-GAL

APPROX WEIGHT: 21.61 lbs. DOES NOT INCLUDE WEIGHT OF POWER OR PACKAGING!!!

*** ANY ADDITIONS, DELETIONS, OR OMISSIONS MUST BE CORRECTED ON THIS DRAWING AS THIS DRAWING WILL BE CONSIDERED ALL INCLUSIVE ***

ALL GRAPHICS PROVIDED ARE FOR REFERENCE ONLY. IF CERTAIN DIMENSIONS ARE CRITICAL PLEASE VERIFY THOSE DIMENSIONS WITH YOUR SALESPERSON



STANDARD FEATURES

- MODEL NUMBER IS BR-M3S-W-GAL
- OVERALL WIDTH IS: 12 7/8"
- USABLE WIDTH IS: 11 1/4"
- OVERALL LENGTH IS: 40 3/8"
- USABLE LENGTH IS: 40 3/8"
- OVERALL HEIGHT IS: 4 1/16"
- (8) Ø7/16" MOUNTING HOLES
- GALVANIZED FINISH

SPECIAL FEATURES

NONE

A P P R O V A L

I, THE UNDERSIGNED, AGREE THAT THE PRODUCT AS REPRESENTED SATISFIES DESIGN AND DIMENSION REQUIREMENTS. I ALSO ACKNOWLEDGE MY DUTY TO CONFIRM PRODUCT AND INSTALLATION COMPLIANCE WITH ALL APPLICABLE FEDERAL, STATE AND LOCAL REGULATIONS AND STANDARDS.

ALL SPECIAL UNITS ARE NON-RETURNABLE

[] As drawn [] As marked

Signed: _____ Date: _____

LEAD TIME WILL START UPON RECEIPT OF SIGNED APPROVAL DRAWING

FOR INTERNAL USE ONLY PROJECT SIGN OFF	
SALES	
ENG.	
FAB.	
POWER	

DISTRIBUTOR'S NAME:		P.O.#
VESTIL MANUFACTURING		X
W.O.#		X
DRAWN BY:	N. DEIBAN	DATE: 6/29/2015
SALES:	X	
REFERENCE:	X	SCALE: 1:8
FILE NAME:		31-007-209
QUOTED LEAD TIME:	X	QUOTE # X