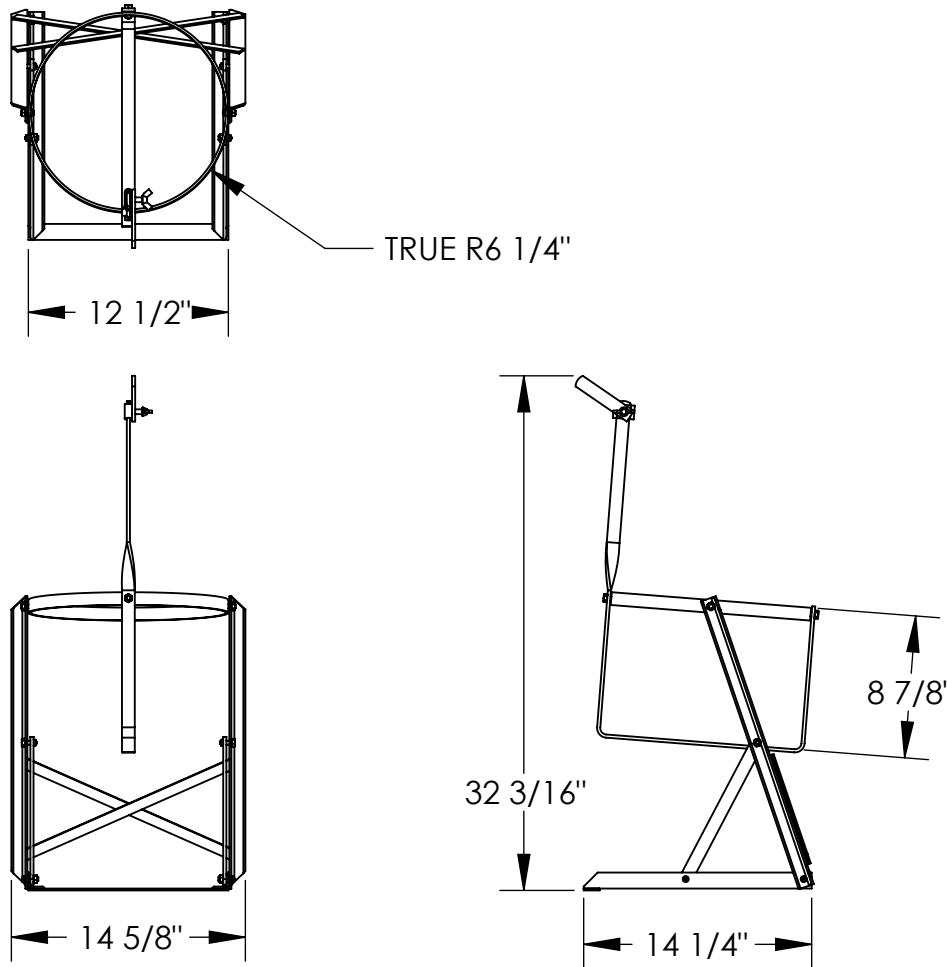


CAN TIPPER - CAN-A

APPROXIMATE WEIGHT IS: 10.05 lbs.

*** ANY ADDITIONS, DELETIONS, OR OMISSIONS MUST BE CORRECTED ON THIS DRAWING AS THIS DRAWING WILL BE CONSIDERED ALL INCLUSIVE ***
 ALL GRAPHICS PROVIDED ARE FOR REFERENCE ONLY. IF CERTAIN DIMENSIONS ARE CRITICAL PLEASE VERIFY THOSE DIMENSIONS WITH YOUR SALESPERSON



**ALL SPECIAL UNITS
 ARE NON-RETURNABLE**

A P P R O V A L	I, the undersigned, hereby approve this print. This includes my approval of design & dimensions	
	<input type="checkbox"/> As drawn	<input type="checkbox"/> As marked
	Signed: _____ Date: _____	
LEAD TIME WILL START UPON RECEIPT OF SIGNED APPROVAL DRAWING		

STANDARD FEATURES

- MODEL NUMBER IS: CAN-A
- OVERALL WIDTH IS: 14 5/8"
- USABLE WIDTH IS: 6 1/4"
- OVERALL LENGTH IS: 14 1/4"
- USABLE LENGTH IS: 6 1/4"
- OVERALL HEIGHT IS: 32 3/16"

SPECIAL FEATURES

NONE

DISTRIBUTOR'S NAME: VESTIL MANUFACTURING		P.O.# X
DRAWN BY: AF	DATE: 08/23/2007	W.O.# X
REFERENCE: X	QUOTE # X	SALES: X
		FILE NAME: 30-007-095
SCALE: 1:12		