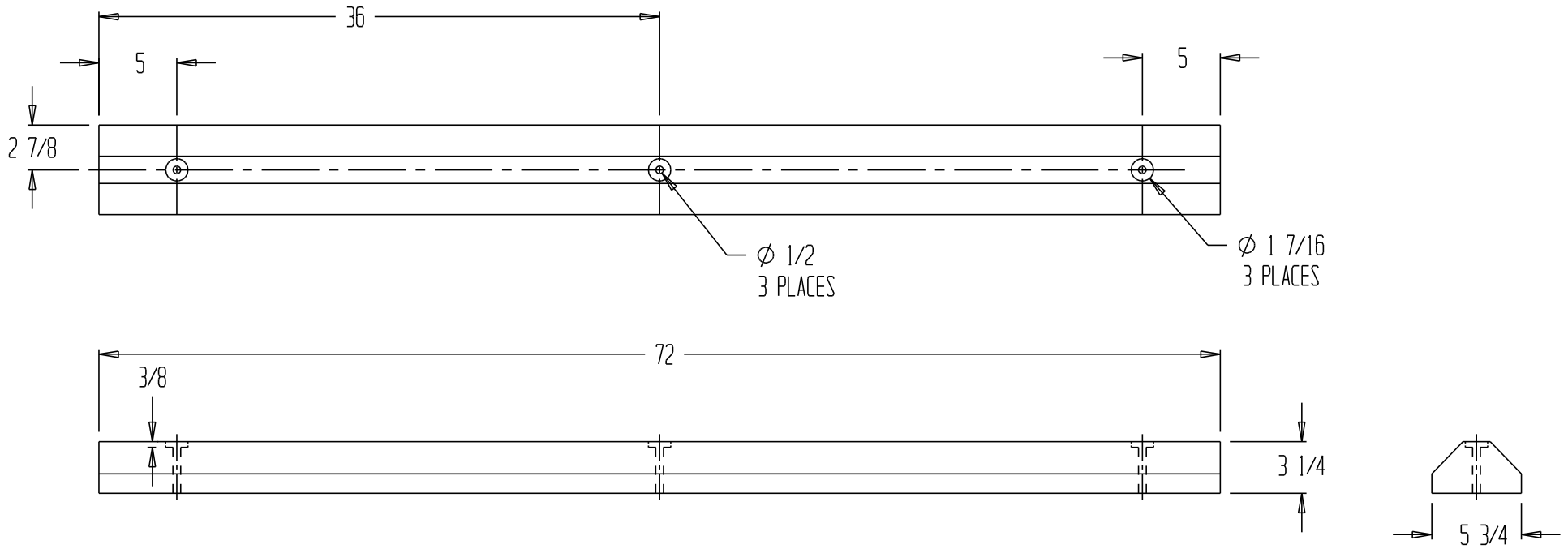


# CAR STOP, CS-33-B



LEAD TIME WILL START UPON  
RECEIPT OF SIGNED APPROVAL  
DRAWING

## STANDARD FEATURES

MODEL NUMBER: CS-33-B  
 OVERALL WIDTH:  $5 \frac{3}{4}$ "  
 OVERALL HEIGHT:  $3 \frac{1}{4}$ "  
 OVERALL LENGTH:  $72" \pm \frac{1}{4}"$   
 MOUNTING HOLE SIZE:  $\phi 1/2$ "  
 UNIT IS BLUE

## SPECIAL FEATURES

NONE

## APPROVAL

I, the undersigned, hereby approve this print  
 As drawn     As marked  
 This includes my approval of design & dimensions.  
 Signed: \_\_\_\_\_  
 Date: \_\_\_\_\_

DISTRIBUTOR'S NAME:		P.O.#: -
<b>VESTIL MANUFACTURING</b>		W.O.#: -
DRAWN BY: S ROSE	DATE: 12-20-04	SALES: -
REFERENCE:		DRWG./FILE NAME:
-		29-007-057

\*\*SPECIAL UNITS ARE NON-RETURNABLE  
 \*AVAILABLE AT ADDITIONAL COSTS

SCALE: 1:10