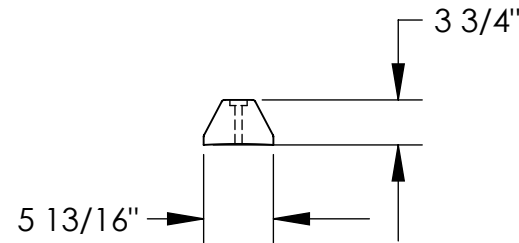
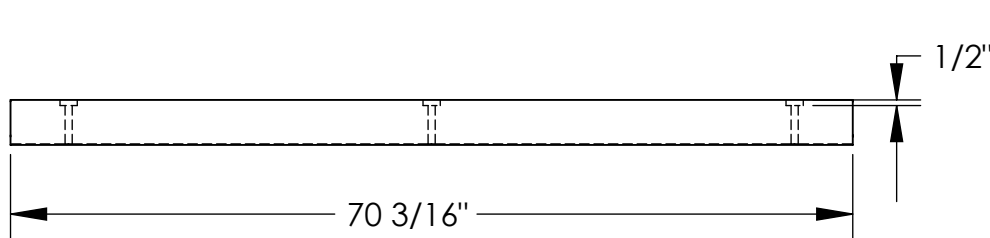
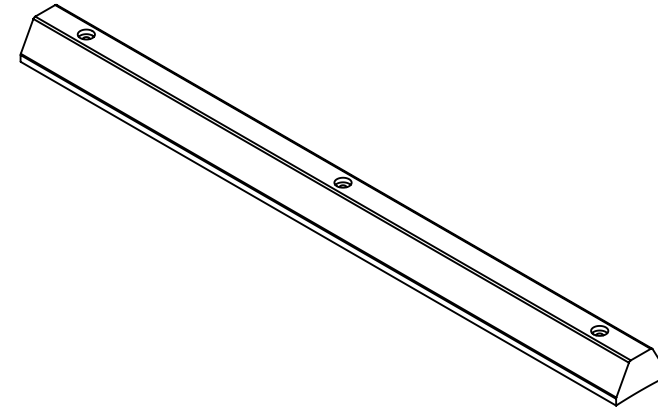
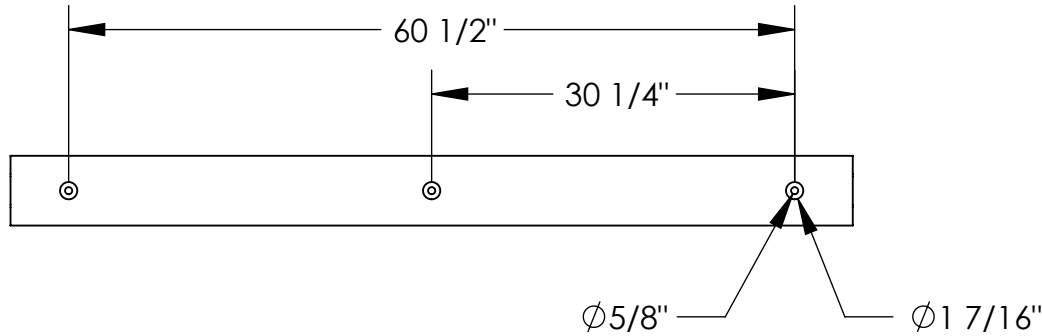


# CAR STOP- YELLOW: CS-S72-Y

APPROXIMATE WEIGHT IS: 329.25 lbs.

\*\*\* ANY ADDITIONS, DELETIONS, OR OMISSIONS MUST BE CORRECTED ON THIS DRAWING AS THIS DRAWING WILL BE CONSIDERED ALL INCLUSIVE \*\*\*

ALL GRAPHICS PROVIDED ARE FOR REFERENCE ONLY. IF CERTAIN DIMENSIONS ARE CRITICAL PLEASE VERIFY THOSE DIMENSIONS WITH YOUR SALESPERSON



**ALL SPECIAL UNITS ARE NON-RETURNABLE**

## STANDARD FEATURES

- MODEL NUMBER IS: CS-S72-Y
- OVERALL WIDTH IS: 5 13/16"
- USABLE WIDTH IS: 5 13/16"
- OVERALL LENGTH IS: 70 3/16"
- USABLE LENGTH IS: 70 3/16"
- OVERALL HEIGHT IS: 3 3/4"
- COUNTERBORE DEPTH IS: 7/16"

## SPECIAL FEATURES

NONE

<b>A P P R O V A L</b>	I, the undersigned, hereby approve this print. This includes my approval of design & dimensions	
	<input type="checkbox"/> As drawn	<input type="checkbox"/> As marked
	Signed: _____ Date: _____	
<b>LEAD TIME WILL START UPON RECEIPT OF SIGNED APPROVAL DRAWING</b>		

DISTRIBUTOR'S NAME: <b>VESTIL MANUFACTURING</b>		P.O.# X
DRAWN BY: T. Moore		W.O.# X
DATE: 03/13/08	SCALE: 1:16	SALES: X
REFERENCE: X	QUOTE # X	FILE NAME: 29-007-082