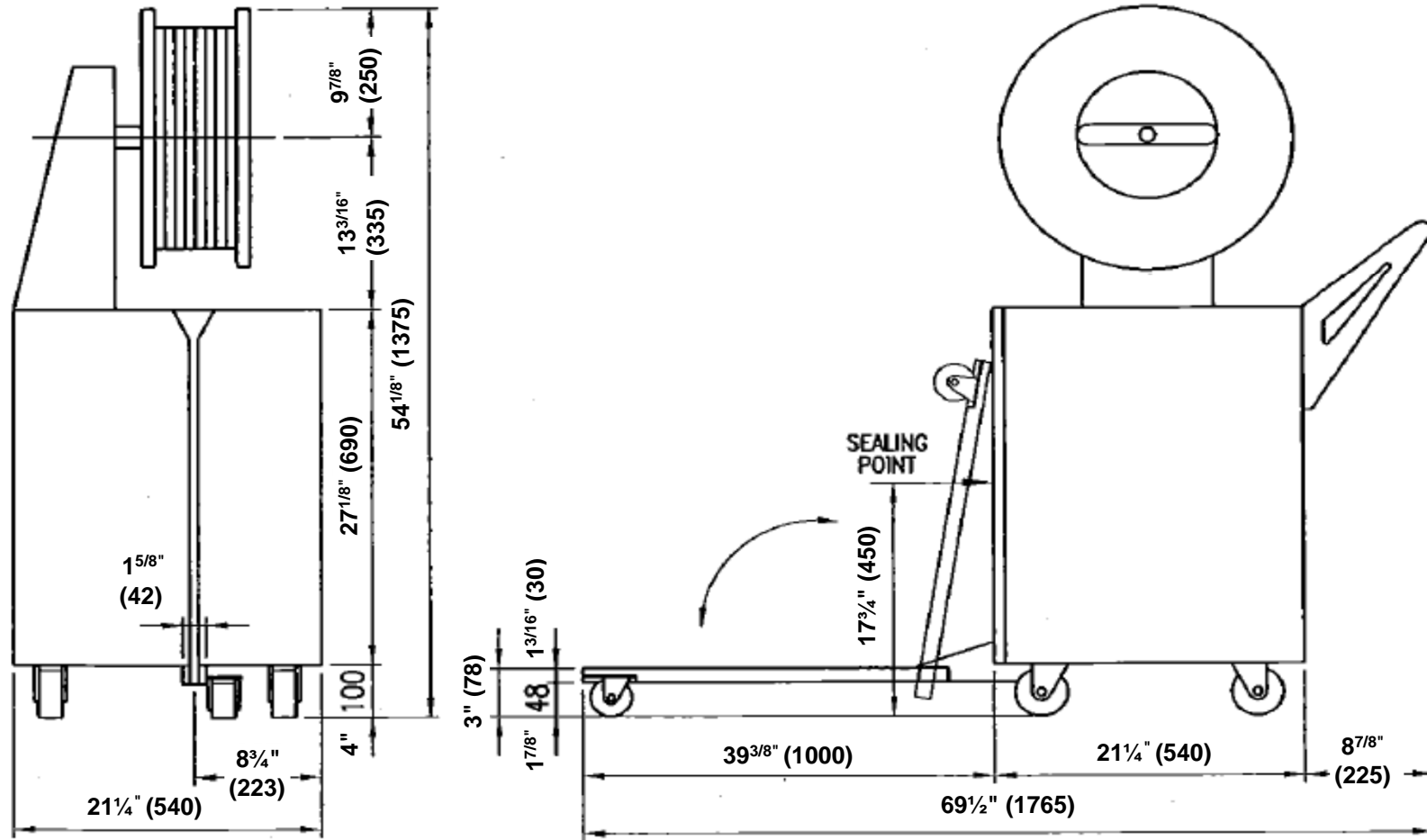


# DBA - 130 (SEMI-AUTOMATIC PALLET PROBE STRAPPING MACHINE)



## **Vestil Manufacturing Company**

2999 North Wayne Street, P.O. Box 570, Angola Indiana 46703  
Telephone (260) 665-7586 \* Fax (260) 665-1339