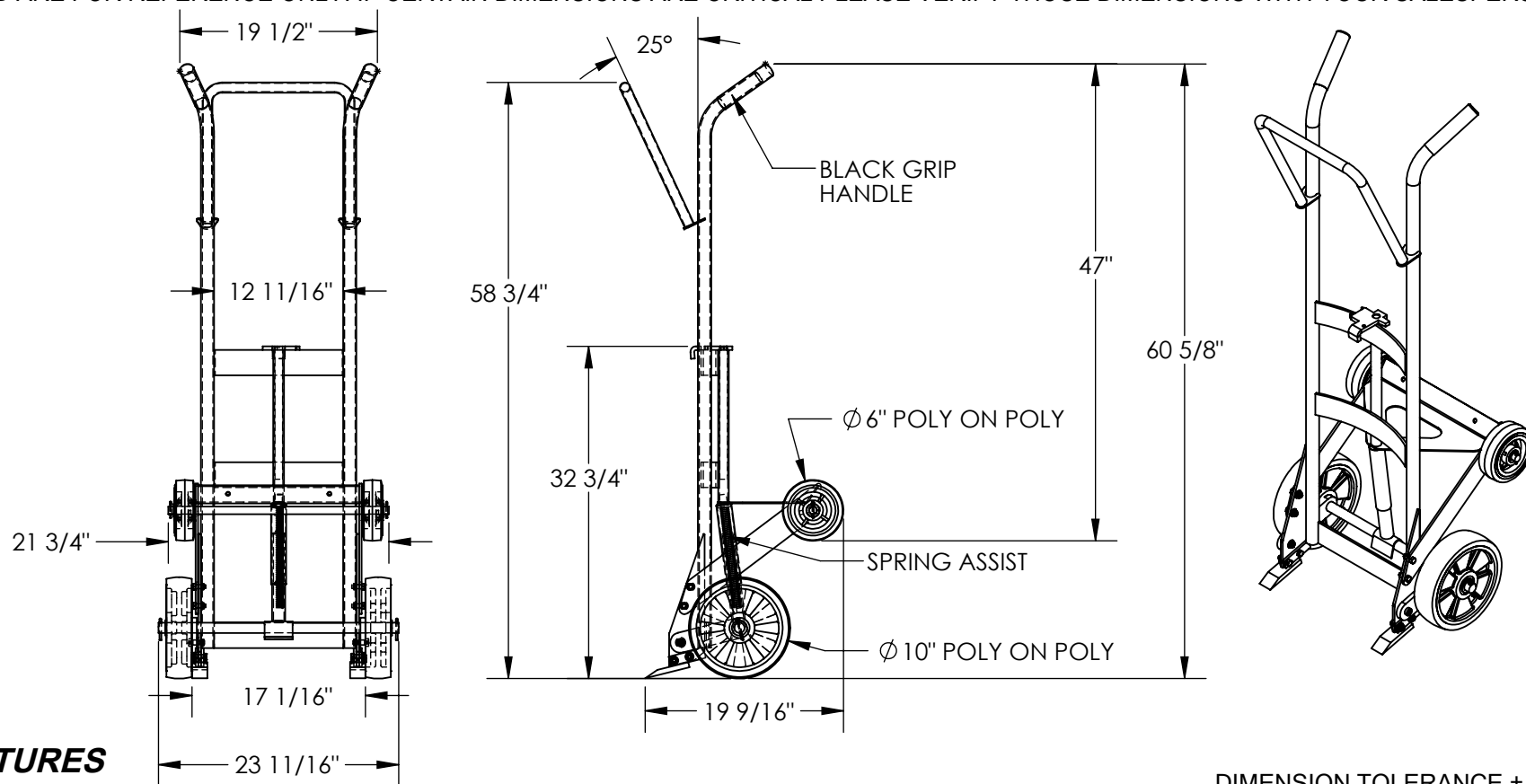


# FOUR-WHEEL DRUM TRUCK W/ TILT-BACK SPRING ASSIST - DBT-4R-PO

APPROX WEIGHT: 97.39 lbs.  
DOES NOT INCLUDE WEIGHT OF POWER OR PACKAGING!!!

\*\*\* ANY ADDITIONS, DELETIONS, OR OMISSIONS MUST BE CORRECTED ON THIS DRAWING AS THIS DRAWING WILL BE CONSIDERED ALL INCLUSIVE \*\*\*  
ALL GRAPHICS PROVIDED ARE FOR REFERENCE ONLY. IF CERTAIN DIMENSIONS ARE CRITICAL PLEASE VERIFY THOSE DIMENSIONS WITH YOUR SALESPERSON



## STANDARD FEATURES

- MODEL NUMBER IS DBT-4R-PO
- CAPACITY: 1,000 LBS
- OVERALL WIDTH IS 23 11/16"
- USABLE WIDTH IS 17 1/16"
- USABLE HEIGHT IS 32 3/4"
- OVERALL HEIGHT IS 60 5/8"
- OVERALL LENGTH IS 19 9/16"
- HAND TRUCK DESIGNED FOR MOVING 55-GALLON STEEL DRUMS ONLY
- UNIQUE DESIGN FEATURES SPRING MECHANISM WHICH HELPS DURING TILTING OPERATION BEING FULLY LOADED ALSO
- FOUR-WHEEL DESIGN FOR EASIER DRUM TRANSPORTATION WHEN TILTED
- TOP LOOP HANDLE ALLOWS FOR EASIER CONTROL WHEN MOVING DRUM IS SECURED TO TRUCK WITH ADJUSTABLE-HEIGHT DRUM HOOK BAR
- TOUGH BAKED IN POWDER COATED YELLOW FINISH
- (2)-Ø10" X 2 1/2" POLY ON POLY WHEEL
- (2)-Ø6" X 2 POLY ON POLY WHEEL

## SPECIAL FEATURES

NONE

DIMENSION TOLERANCE ± 1/4"

<b>APPROVAL</b>	I, THE UNDERSIGNED, AGREE THAT THE PRODUCT AS REPRESENTED SATISFIES DESIGN AND DIMENSION REQUIREMENTS. I ALSO ACKNOWLEDGE MY DUTY TO CONFIRM PRODUCT AND INSTALLATION COMPLIANCE WITH ALL APPLICABLE FEDERAL, STATE AND LOCAL REGULATIONS AND STANDARDS.	
	<b>ANY MODIFIED UNITS ARE NON-RETURNABLE</b>	
	[ ] As drawn      [ ] As marked	
Signed: _____		Date: _____
Printed Name: _____		
<b>LEAD TIME WILL START UPON RECEIPT OF SIGNED APPROVAL DRAWING</b>		

FOR INTERNAL USE ONLY PROJECT SIGN OFF	
SALES	
ENG.	
FAB.	
POWER	

DISTRIBUTOR'S NAME:		P.O.#
VESTIL MANUFACTURING		X
DRAWN BY: BLH	DATE: 07/06/2016	W.O.#
REFERENCE: X	SCALE: 1:17	X
QUOTED LEAD TIME: X	QUOTE #	FILE NAME:
	X	09-007-201