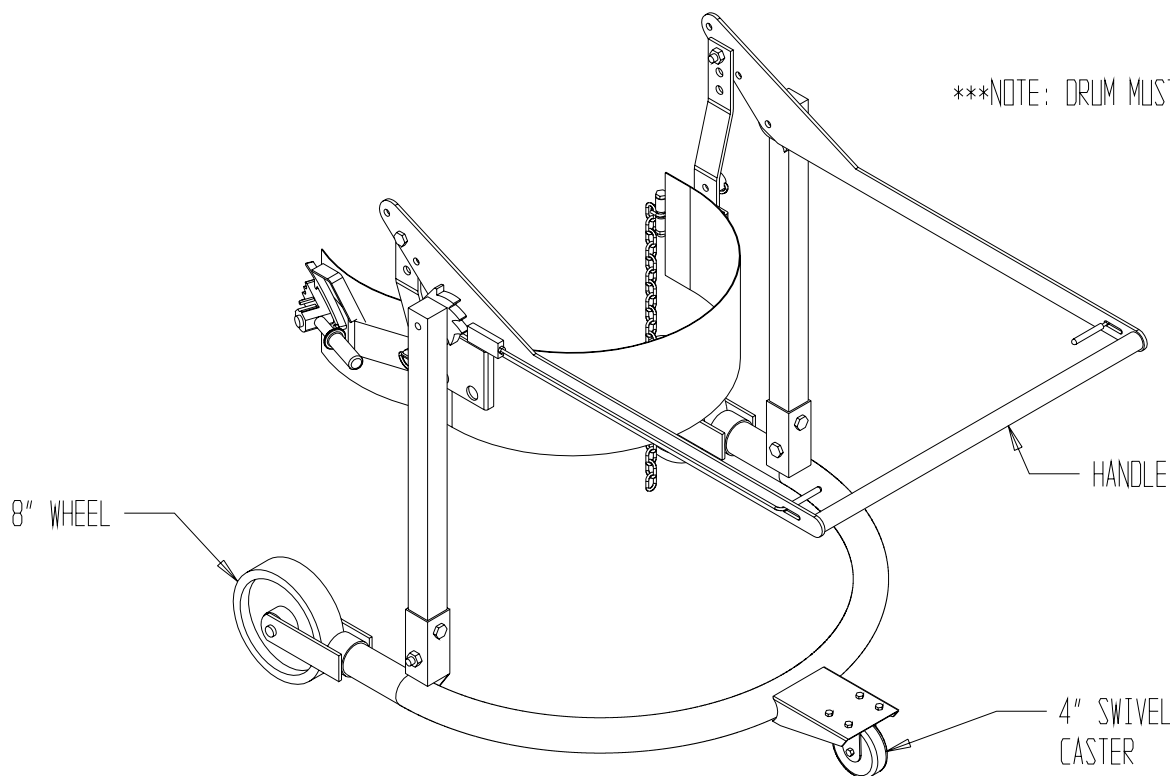


**SPECIAL UNITS ARE NON-RETURNABLE
 *AVAILABLE AT ADDITIONAL COSTS

MANUAL DRUM CARRIER/ROTATOR, DCR-110-55

NOTE: DRUM MUST BE FULL TO ROTATE AT RATED CAPACITY



LEAD TIME WILL START UPON
 RECEIPT OF SIGNED APPROVAL
 DRAWING

STANDARD FEATURES

MODEL NUMBER DCR-110-55
 OVERALL HEIGHT- 42"
 CAPACITY- 800 LBS.
 BARREL HORIZONTAL HEIGHT (WHEN ROTATED)- 41"
 OVERALL WIDTH- 34 1/2"
 OVERALL LENGTH- 36 1/2"
 HOLDS ONE 55 GALLON DRUM
 POSITIVE DRUM LATCHING MECHANISM
 MANUAL ROTATION METHOD

SPECIAL FEATURES

NONE

*** ALL GRAPHICS PROVIDED ARE FOR REFERENCE ONLY.
 IF CERTAIN DIMENSIONS ARE CRITICAL PLEASE VERIFY
 THOSE DIMENSIONS WITH YOUR SALESPERSON. ***

APPROVAL

I, the undersigned, hereby approve this print
 As drawn As marked
 This includes my approval of design & dimensions.
 Signed: _____
 Date: _____

Any additions, deletions or omissions must be corrected on this drawing, as this drawing will be considered all inclusive.

DISTRIBUTOR'S NAME:		P.O.#: _
VESTIL MANUFACTURING		W.O.#: _
DRAWN BY: SR	DATE: 3-6-07	SALES: _
REFERENCE:		DRWG./FILE NAME:
-	SCALE: N/A	DCR-110-55