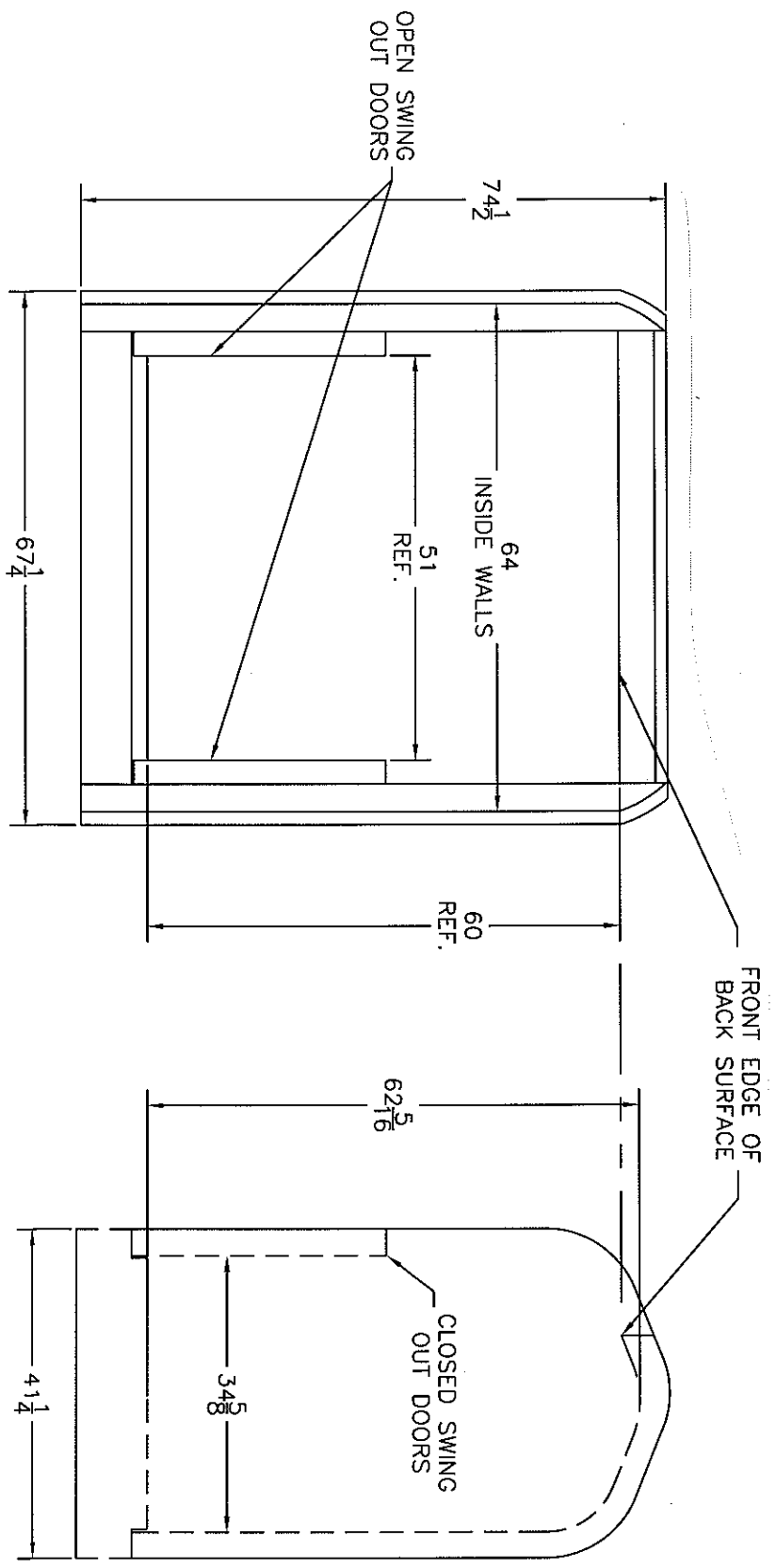


DRUM STORAGE HARD TOP CONTAINER, DSHRT-2



STANDARD FEATURES

- MODEL NUMBER: DSHRT-2
- UNIFORM CAPACITY: 4,500#
- SUMP CAPACITY: 66 GALLONS
- DRUM CAPACITY: 2
- OVERALL WIDTH: $67\frac{1}{4}$ "
- OVERALL DEPTH: $41\frac{1}{4}$ "
- OVERALL HEIGHT: $74\frac{1}{2}$ "

SPECIAL FEATURES

NONE

All graphics provided are for reference only. If certain dimensions are critical please verify those dimensions with your salesperson.

Any additions, deletions or omissions must be corrected on this drawing, as this drawing will be considered all inclusive.

I, THE UNDERSIGNED, AGREE THAT THE PRODUCT AS REPRESENTED SATISFIES DESIGN & DIMENSION REQUIREMENTS. I ALSO ACKNOWLEDGE MY DUTY TO DEFEND PRODUCT & INSTALLATION COMPLIANCE WITH ALL APPLICABLE FEDERAL, STATE AND LOCAL REGULATIONS & STANDARDS.

ALL SPECIAL UNITS ARE NON-RETURNABLE

Signed: _____ [] As drawn [] As marked
Date: _____

LEAD TIME WILL START UPON RECEIPT OF SIGNED APPROVAL DRAWING

DISTRIBUTOR'S NAME:		P.O.#: -	
VESTIL MFG		W.O.#: -	
DRAWN BY: SR	DATE: 9-20-10	SALES: -	DRWG./FILE NAME: DSHRT-2
REFERENCE: -	SCALE: NTS	QUOTE #: -	