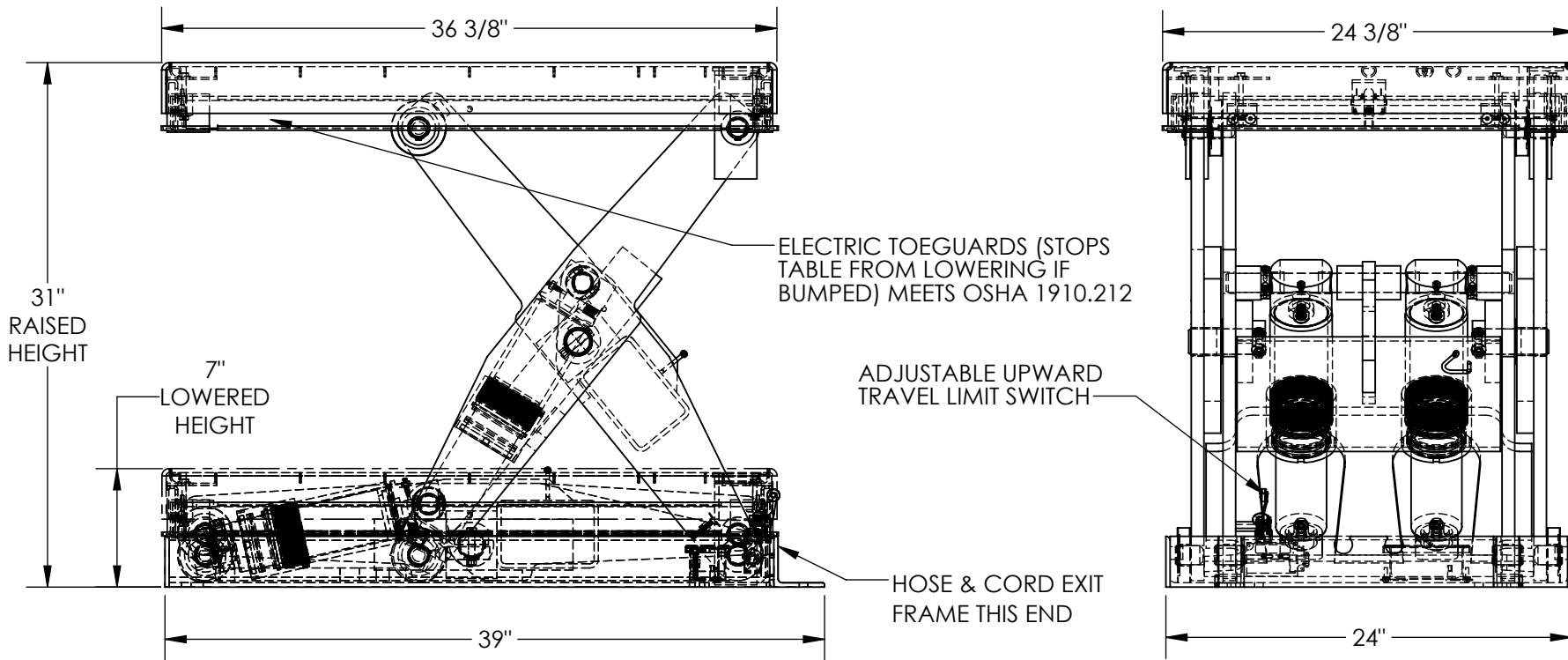


SHORTY SCISSOR LIFT TABLE - EHLTS-2436-4-31

APPROX WEIGHT: 485.31 lbs.
DOES NOT INCLUDE WEIGHT OF POWER OR PACKAGING!!!

*** ANY ADDITIONS, DELETIONS, OR OMISSIONS MUST BE CORRECTED ON THIS DRAWING AS THIS DRAWING WILL BE CONSIDERED ALL INCLUSIVE ***

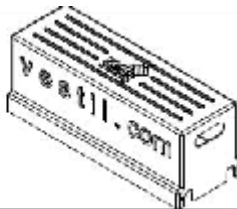
ALL GRAPHICS PROVIDED ARE FOR REFERENCE ONLY. IF CERTAIN DIMENSIONS ARE CRITICAL PLEASE VERIFY THOSE DIMENSIONS WITH YOUR SALESPERSON



STANDARD FEATURES

MODEL NUMBER IS EHLTS-2436-4-31
 PLATFORM WIDTH IS: 24 3/8"
 PLATFORM LENGTH IS: 36 3/8"
 PLATFORM RAISED HEIGHT IS: 31"
 PLATFORM LOWERED HEIGHT IS: 7"
 TABLE CAPACITY (EVENLY DISTRIBUTED)
 LOAD IS 4,000 LBS
 STANDARD CONTROL IS 24 VOLT
 CONTROL IS HANDHELD, 2 BUTTON, NEMA 4
 PENDANT WITH MINIMUM 8' USABLE COIL CORD
 DISPLACEMENT STYLE CYLINDERS
 INSTALLED ROD DOWN
 EMERGENCY SAFETY STOP HYDRAULIC FUSES
 IN ALL CYLINDERS UNITS HAVE 2' TEST LEAD AND
 PIG TAIL
 DURABLE LIQUID PAINT BLUE FINISH
 REMOTE POWER UNIT

REMOTE POWER UNIT
 32 1/2" x 12" 12 1/2" (L x W x H)
 WITH 8' HOSE & CABLE



PLEASE CIRCLE SPECIFICATIONS:

POWER	AC	DC (12V)	AIR/OIL
MOTOR VOLTAGE	115	208	230 460
DEDICATED CIRCUIT REQUIRED 60HZ			
MOTOR PHASE	SINGLE	THREE	
CONTROL	HAND	FOOT	

DECK TOLERANCE ± 1/2"
 TABLE HEIGHT TOLERANCE ± 1/2"
 DECK FLATNESS ± 1/4" DIMENSION TOLERANCE ± 1/4"

APPROVAL

I, THE UNDERSIGNED, AGREE THAT THE PRODUCT AS REPRESENTED SATISFIES DESIGN AND DIMENSION REQUIREMENTS. I ALSO ACKNOWLEDGE MY DUTY TO CONFIRM PRODUCT AND INSTALLATION COMPLIANCE WITH ALL APPLICABLE FEDERAL, STATE AND LOCAL REGULATIONS AND STANDARDS.
UNITS REQUIRING APPROVAL DRAWINGS OR MODIFIED ARE NON-RETURNABLE
 As drawn As marked

Signed: _____ Date: _____

Printed Name: _____

LEAD TIME WILL START UPON RECEIPT OF SIGNED APPROVAL DRAWING

DISTRIBUTOR'S NAME:		P.O.#
VESTIL MANUFACTURING		X
DRAWN BY: KEC	DATE: 9/30/16	W.O.#
REFERENCE: X	SCALE: 1:10	X
QUOTED LEAD TIME: X	QUOTE #	SALES: X
	X	FILE NAME:
		01-007-281-001

SPECIAL FEATURES

NONE