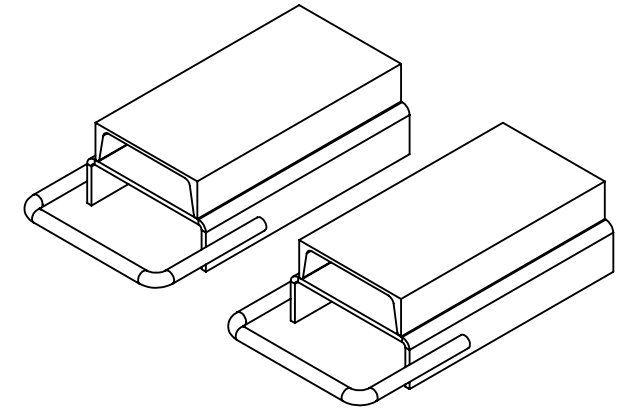
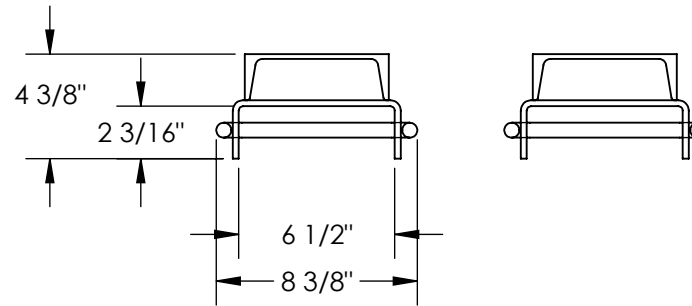
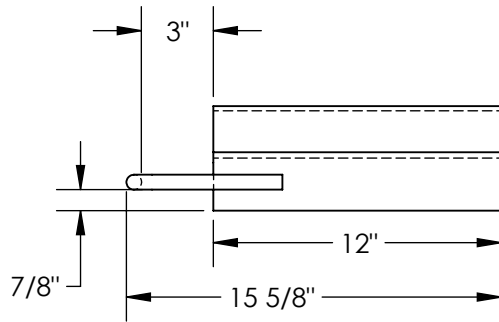


# FORK REAR SPACERS- FRS-6-12

APPROX WEIGHT: 38.64 lbs.  
 DOES NOT INCLUDE WEIGHT OF POWER OR PACKAGING!!!

\*\*\* ANY ADDITIONS, DELETIONS, OR OMISSIONS MUST BE CORRECTED ON THIS DRAWING AS THIS DRAWING WILL BE CONSIDERED ALL INCLUSIVE \*\*\*

ALL GRAPHICS PROVIDED ARE FOR REFERENCE ONLY. IF CERTAIN DIMENSIONS ARE CRITICAL PLEASE VERIFY THOSE DIMENSIONS WITH YOUR SALESPERSON



## STANDARD FEATURES

MODEL NUMBER IS FRS-6-12  
 OVERALL WIDTH IS 8 3/8"  
 USABLE WIDTH IS 6 1/2"  
 OVERALL LENGTH IS 15 5/8"  
 USABLE LENGTH IS 12"  
 OVERALL HEIGHT IS 4 3/8"  
 SOLD IN PAIRS  
 COLOR: TOUGH BAKED IN POWDER  
 COATED YELLOW FINISH

APPROX. WEIGHT / LOST LOAD = 38.64 LBS.  
 MINIMUM EFFECTIVE THICKNESS = LESS THAN 1"  
 NEVER EXCEED LOAD CENTER  
 RATING PER FORKTRUCK  
 MANUFACTURERS GUIDELINES.  
 DO NOT USE THIS FORK TRUCK  
 ATTACHMENT IF LOAD WILL  
 EXCEED FORK TRUCK MANUFACTURER'S  
 LOAD CENTER RATING

DIMENSION TOLERANCE ± 1/4"

<b>APPROVAL</b>	I, THE UNDERSIGNED, AGREE THAT THE PRODUCT AS REPRESENTED SATISFIES DESIGN AND DIMENSION REQUIREMENTS. I ALSO ACKNOWLEDGE MY DUTY TO CONFIRM PRODUCT AND INSTALLATION COMPLIANCE WITH ALL APPLICABLE FEDERAL, STATE AND LOCAL REGULATIONS AND STANDARDS.	
	<b>ANY MODIFIED UNITS ARE NON-RETURNABLE</b>	
	[ ] As drawn      [ ] As marked	
	Signed: _____ Date: _____	
Printed Name: _____		
LEAD TIME WILL START UPON RECEIPT OF SIGNED APPROVAL DRAWING		

## SPECIAL FEATURES

NONE

FOR INTERNAL USE ONLY PROJECT SIGN OFF	
SALES	
ENG.	
FAB.	
POWER	

DISTRIBUTOR'S NAME:		P.O.#
VESTIL MANUFACTURING		X
DRAWN BY: C.CLEMENS		DATE: 8/6/15
REFERENCE: X		SCALE: 1:8
QUOTED LEAD TIME: X		QUOTE #
		X
		FILE NAME:
		47-007-034