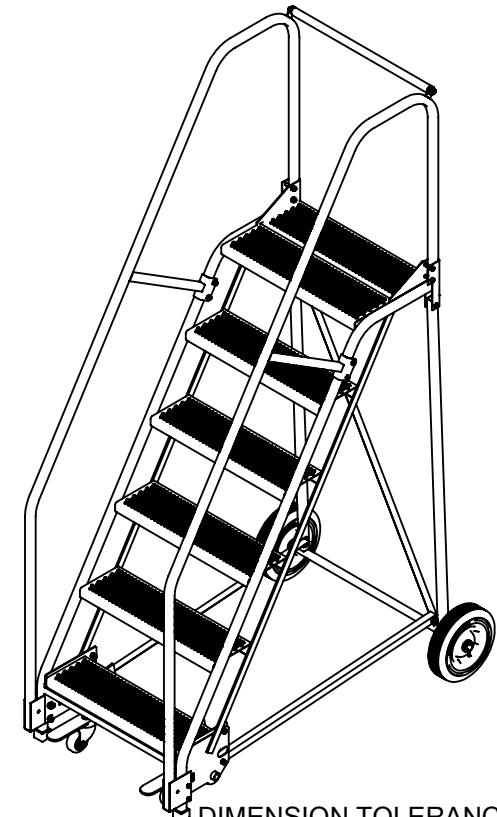
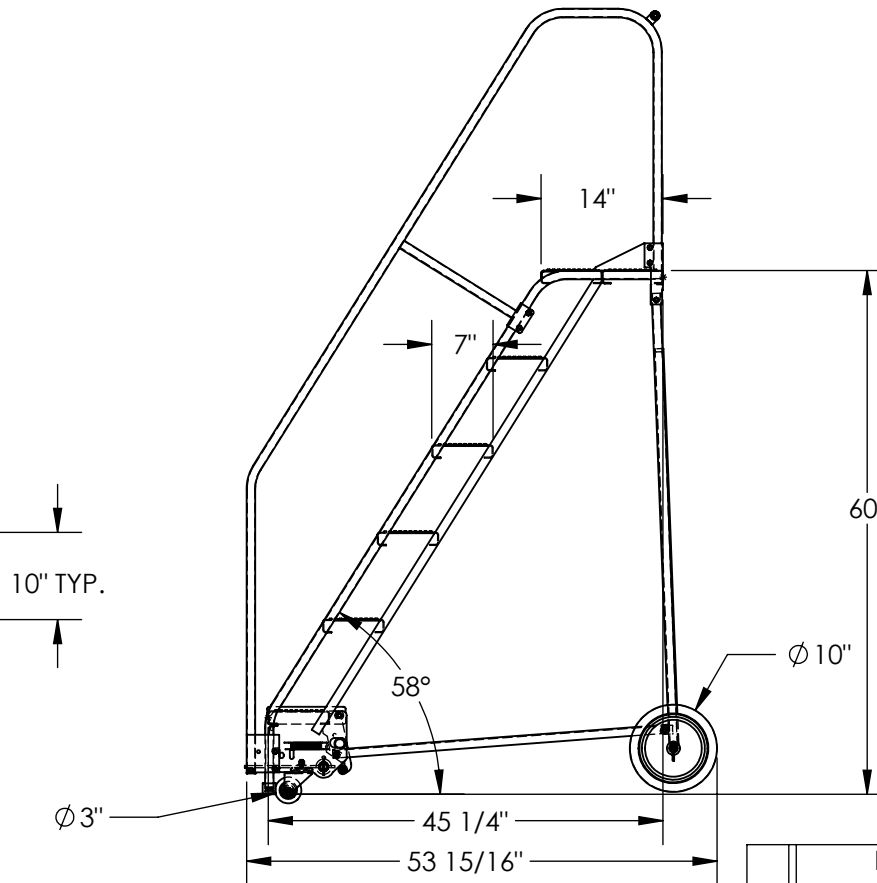
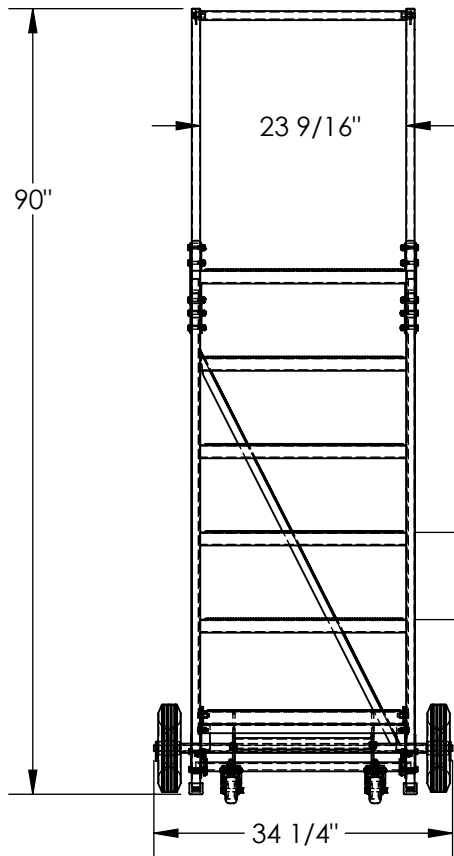


6-STEP ROLLING STEEL WAREHOUSE LADDER - LAD-6-14-P

APPROX WEIGHT: 171.7107 lbs.
 DOES NOT INCLUDE WEIGHT OF POWER OR PACKAGING!!!

*** ANY ADDITIONS, DELETIONS, OR OMISSIONS MUST BE CORRECTED ON THIS DRAWING AS THIS DRAWING WILL BE CONSIDERED ALL INCLUSIVE ***

ALL GRAPHICS PROVIDED ARE FOR REFERENCE ONLY. IF CERTAIN DIMENSIONS ARE CRITICAL PLEASE VERIFY THOSE DIMENSIONS WITH YOUR SALESPERSON



DIMENSION TOLERANCE ± 1/4"

STANDARD FEATURES
 MODEL NUMBER IS LAD-6-14-P
 OVERALL WIDTH IS 34 1/4"
 USABLE WIDTH IS 23 9/16"
 OVERALL LENGTH IS 53 15/16"
 USABLE LENGTH IS 45 1/4"
 OVERALL HEIGHT IS 90"
 TOP STEP HEIGHT IS 60"
 STEP TYPE IS PERFORATED
 CLIMB ANGLE IS 58°
 STEP DEPTH IS 7"
 TOP STEP DEPTH IS 14"
 MAX CAPACITY IS 350 LBS
 WHEEL SIZE IS Ø10"
 FRONT WHEEL SIZE IS Ø3"
 TOUGH BAKED IN POWDER COATED BLUE & YELLOW FINISH
 COLOR IS BLUE, BOTTOM STEP IS YELLOW

- NOTE**
- SOME ASSEMBLY REQUIRED
 - TOOL TRAY SOLD SEPARATELY
 - SAFETY GATE SOLD SEPARATELY

SPECIAL FEATURES
 NONE

APPROVAL

I, THE UNDERSIGNED, AGREE THAT THE PRODUCT AS REPRESENTED SATISFIES DESIGN AND DIMENSION REQUIREMENTS. I ALSO ACKNOWLEDGE MY DUTY TO CONFIRM PRODUCT AND INSTALLATION COMPLIANCE WITH ALL APPLICABLE FEDERAL, STATE AND LOCAL REGULATIONS AND STANDARDS.

UNITS REQUIRING APPROVAL DRAWINGS OR MODIFIED ARE NON-RETURNABLE

[] As drawn [] As marked

Signed: _____ Date: _____

LEAD TIME WILL START UPON RECEIPT OF SIGNED APPROVAL DRAWING

DISTRIBUTOR'S NAME:		P.O.#
VESTIL MANUFACTURING		X
DRAWN BY: B.NOTHNAGEL		DATE: 9/22/2015
REFERENCE: X		SCALE: 1:22
QUOTED LEAD TIME: X	QUOTE #	FILE NAME:
X	X	44-007-165