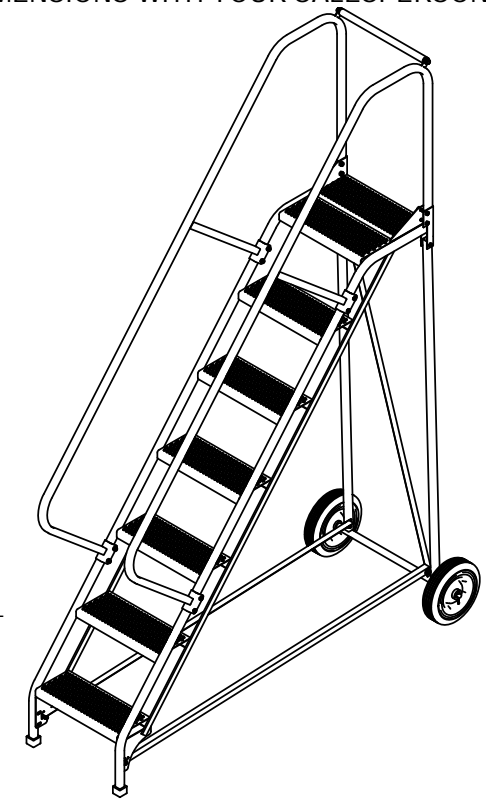
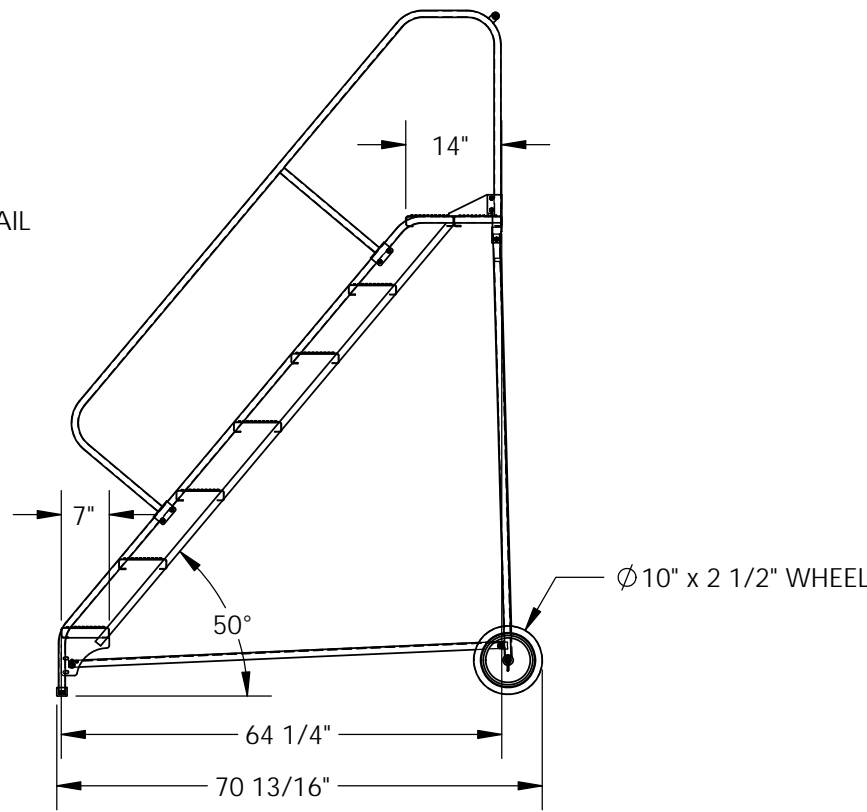
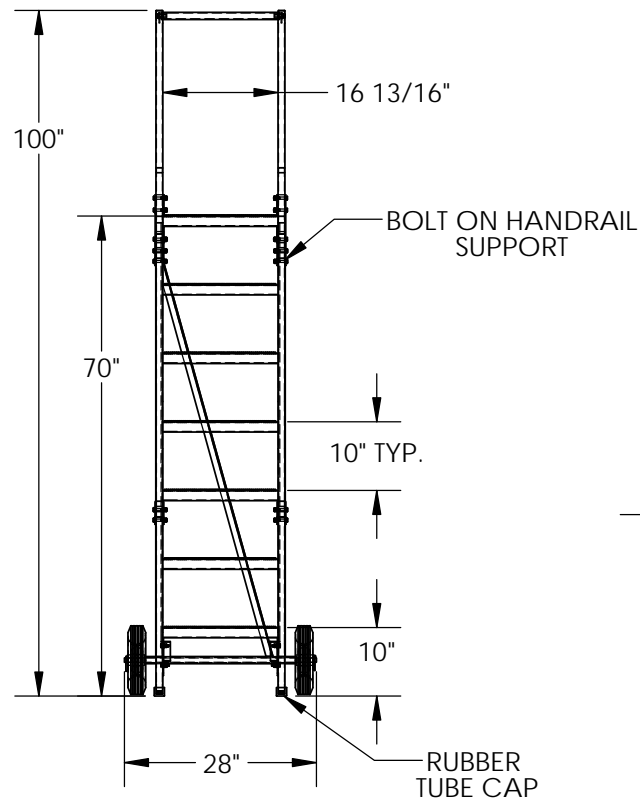


# 7-STEP, 50° ROLL-A-FOLD LADDER, PERFORATED- LAD-RAF-7-P-EZ

APPROX WEIGHT: 214.09 lbs.  
DOES NOT INCLUDE WEIGHT OF POWER OR PACKAGING!!!

\*\*\* ANY ADDITIONS, DELETIONS, OR OMISSIONS MUST BE CORRECTED ON THIS DRAWING AS THIS DRAWING WILL BE CONSIDERED ALL INCLUSIVE \*\*\*

ALL GRAPHICS PROVIDED ARE FOR REFERENCE ONLY. IF CERTAIN DIMENSIONS ARE CRITICAL PLEASE VERIFY THOSE DIMENSIONS WITH YOUR SALESPERSON



DIMENSION TOLERANCE  $\pm 1/4''$

## STANDARD FEATURES

- MODEL NUMBER IS LAD-RAF-7-P-EZ
- OVERALL WIDTH IS 28"
- USABLE WIDTH IS 16 13/16"
- OVERALL LENGTH IS 70 13/16"
- USABLE LENGTH IS 64 1/4"
- OVERALL HEIGHT IS 100"
- PLATFORM HEIGHT IS 70"
- STEP DEPTH IS 7"
- PLATFORM DEPTH IS 14"
- CLIMB ANGLE IS 50°
- COLOR IS VESTIL BLUE
- STEP STYLE IS PERFORATED
- MAX CAPACITY IS 350 LBS
- FOLDED DIMENSION: 118" X 30" X 30" (NOT SHOWN)

## NOTE

SOME ASSEMBLY REQUIRED  
TOOL TRAY SOLD SEPARATELY

## SPECIAL FEATURES

NONE

I, THE UNDERSIGNED, AGREE THAT THE PRODUCT AS REPRESENTED SATISFIES DESIGN AND DIMENSION REQUIREMENTS. I ALSO ACKNOWLEDGE MY DUTY TO CONFIRM PRODUCT AND INSTALLATION COMPLIANCE WITH ALL APPLICABLE FEDERAL, STATE AND LOCAL REGULATIONS AND STANDARDS.

**ANY MODIFIED UNITS ARE NON-RETURNABLE**

[ ] As drawn [ ] As marked

Signed: \_\_\_\_\_ Date: \_\_\_\_\_

Printed Name: \_\_\_\_\_

LEAD TIME WILL START UPON RECEIPT OF SIGNED APPROVAL DRAWING

APPROVAL

FOR INTERNAL USE ONLY PROJECT SIGN OFF	
SALES	
ENG.	
FAB.	
POWER	

DISTRIBUTOR'S NAME:		P.O.#
VESTIL MANUFACTURING		X
DRAWN BY:	DATE:	W.O.#
B.NOTHNAGEL	8/17/2015	X
REFERENCE:	SCALE:	SALES:
X	1:28	X
QUOTED LEAD TIME:	QUOTE #	FILE NAME:
X	X	44-007-204