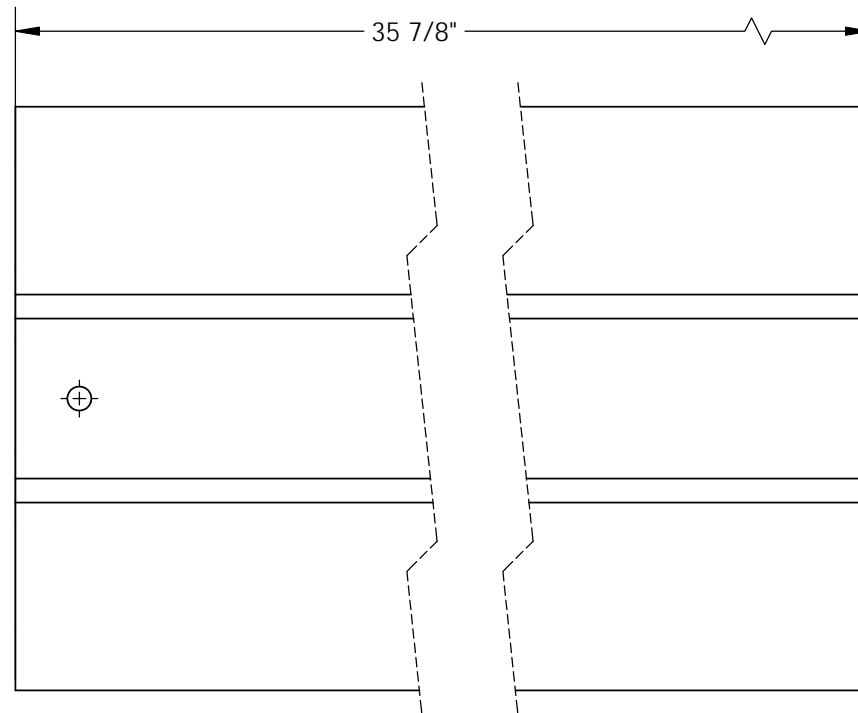
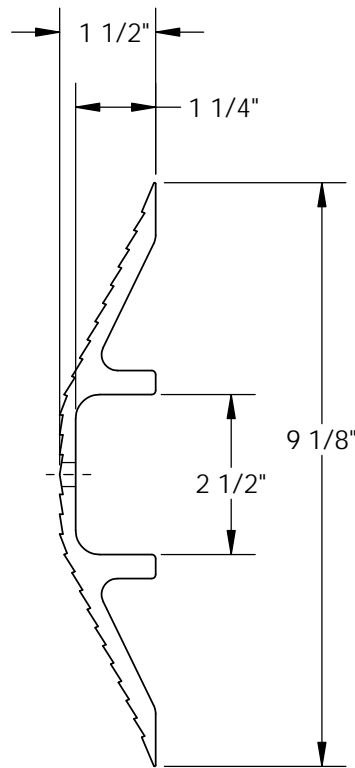


# EXTRUDED ALUMINUM HOSE & CABLE CROSSOVER RAMP - LHCR-36-BK

APPROX WEIGHT: 11.52 lbs.  
DOES NOT INCLUDE WEIGHT OF POWER OR PACKAGING!!!

\*\*\* ANY ADDITIONS, DELETIONS, OR OMISSIONS MUST BE CORRECTED ON THIS DRAWING AS THIS DRAWING WILL BE CONSIDERED ALL INCLUSIVE \*\*\*

ALL GRAPHICS PROVIDED ARE FOR REFERENCE ONLY. IF CERTAIN DIMENSIONS ARE CRITICAL PLEASE VERIFY THOSE DIMENSIONS WITH YOUR SALESPERSON



DIMENSION TOLERANCE  $\pm 1/2$ "

**NOTE:** HOLE IS FOR POWDER COATED UNITS ONLY

### STANDARD FEATURES

MODEL NUMBER: LHCR-36-BK  
SINGLE WHEEL CAPACITY: 10,000 LBS  
OVERALL WIDTH: 9 1/8"  
OVERALL LENGTH: 35 7/8"  
OVERALL HEIGHT: 1 1/2"  
USABLE WIDTH: 2 1/2"  
USABLE HEIGHT: 1 1/4"  
TOUGH BAKED IN POWDER COATED  
BLACK FINISH

### SPECIAL FEATURES

NONE

<b>A P P R O V A L</b>	I, THE UNDERSIGNED, AGREE THAT THE PRODUCT AS REPRESENTED SATISFIES DESIGN AND DIMENSION REQUIREMENTS. I ALSO ACKNOWLEDGE MY DUTY TO CONFIRM PRODUCT AND INSTALLATION COMPLIANCE WITH ALL APPLICABLE FEDERAL, STATE AND LOCAL REGULATIONS AND STANDARDS.	
	<b>ANY MODIFIED UNITS ARE NON-RETURNABLE</b>	
	[ ] As drawn      [ ] As marked	
	Signed: _____	Date: _____
Printed Name: _____		
<b>LEAD TIME WILL START UPON RECEIPT OF SIGNED APPROVAL DRAWING</b>		

FOR INTERNAL USE ONLY PROJECT SIGN OFF	
SALES	
ENG.	
FAB.	
POWER	

DISTRIBUTOR'S NAME:		P.O.#
<b>VESTIL MANUFACTURING</b>		X
DRAWN BY: K.YEAKLE		DATE: 05/10/12
REFERENCE: X		SCALE: 1:12
QUOTED LEAD TIME: X		QUOTE #
		X
		FILE NAME:
		29-007-046-001