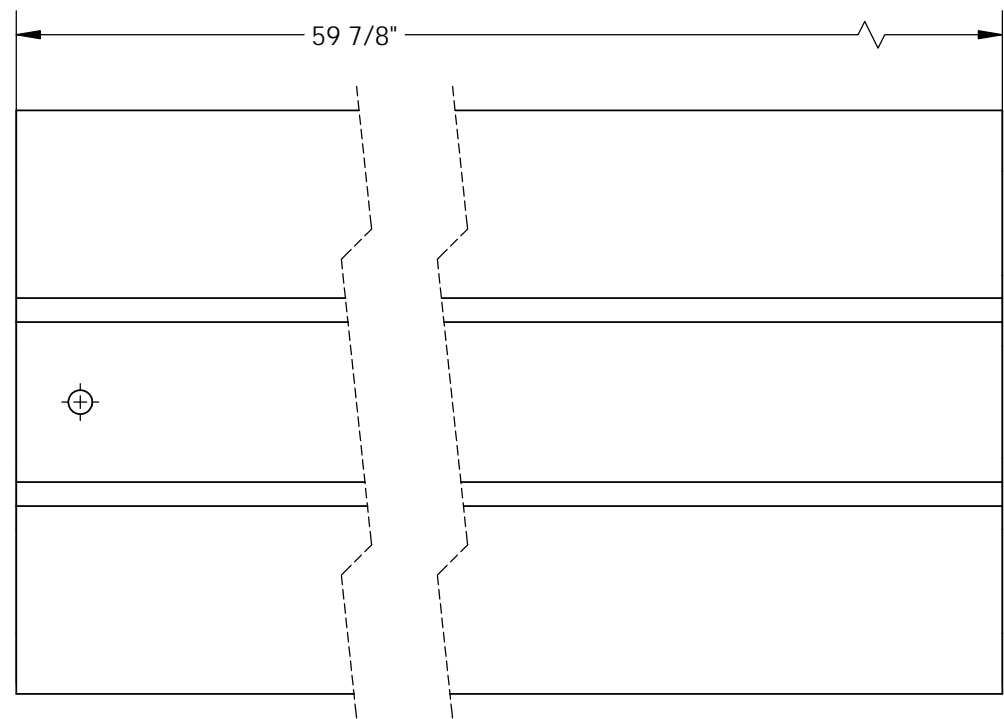
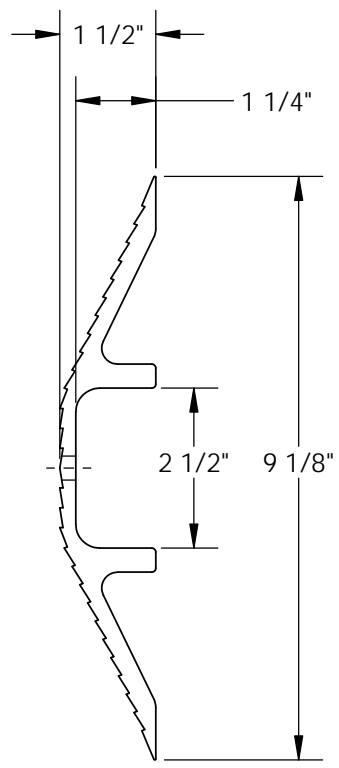


EXTRUDED ALUMINUM HOSE & CABLE CROSSOVER RAMP - LHCR-60-BK

APPROX WEIGHT: 19.22 lbs.
 DOES NOT INCLUDE WEIGHT OF POWER OR PACKAGING!!!

*** ANY ADDITIONS, DELETIONS, OR OMISSIONS MUST BE CORRECTED ON THIS DRAWING AS THIS DRAWING WILL BE CONSIDERED ALL INCLUSIVE ***
 ALL GRAPHICS PROVIDED ARE FOR REFERENCE ONLY. IF CERTAIN DIMENSIONS ARE CRITICAL PLEASE VERIFY THOSE DIMENSIONS WITH YOUR SALESPERSON



DIMENSION TOLERANCE ± 1/2"

NOTE: HOLE IS FOR POWDER COATED UNITS ONLY

STANDARD FEATURES

- MODEL NUMBER: LHCR-60-BK
- SINGLE WHEEL CAPACITY: 10,000 LBS
- OVERALL WIDTH: 9 1/8"
- OVERALL LENGTH: 59 7/8"
- OVERALL HEIGHT: 1 1/2"
- USABLE WIDTH: 2 1/2"
- USABLE HEIGHT: 1 1/4"
- TOUGH BAKED IN POWDER COATED BLACK FINISH

SPECIAL FEATURE

NONE

APPROVAL

I, THE UNDERSIGNED, AGREE THAT THE PRODUCT AS REPRESENTED SATISFIES DESIGN AND DIMENSION REQUIREMENTS. I ALSO ACKNOWLEDGE MY DUTY TO CONFIRM PRODUCT AND INSTALLATION COMPLIANCE WITH ALL APPLICABLE FEDERAL, STATE AND LOCAL REGULATIONS AND STANDARDS.

ANY MODIFIED UNITS ARE NON-RETURNABLE

[] As drawn [] As marked

Signed: _____ Date: _____

Printed Name: _____

LEAD TIME WILL START UPON RECEIPT OF SIGNED APPROVAL DRAWING

FOR INTERNAL USE ONLY PROJECT SIGN OFF	
SALES	
ENG.	
FAB.	
POWER	

DISTRIBUTOR'S NAME:		P.O.#
VESTIL MANUFACTURING		X
DRAWN BY:	DATE:	W.O.#
K.YEAKLE	05/10/12	X
REFERENCE:	SCALE:	FILE NAME:
X	1:12	29-007-048-001
QUOTED LEAD TIME:	QUOTE #	
X	X	