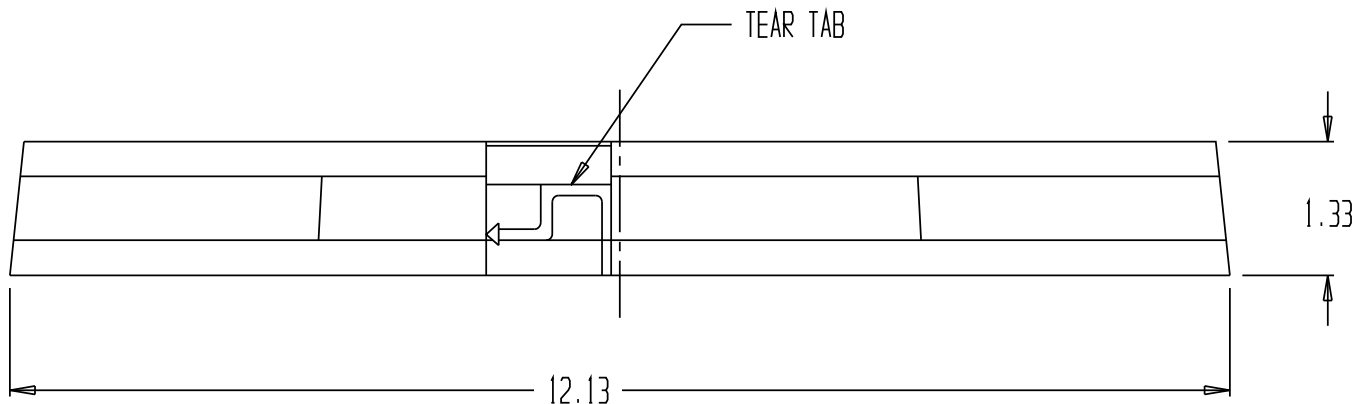


Round Plastic Lid (5 gallon) - LID-54-PWT



ALSO AVAILABLE IN
ADDITIONAL COLORS:

COLOR:	PART NO.
BLUE	LID-54-PBT
RED	LID-54-PRT
YELLOW	LID-54-PYT
GREEN	LID-54-PGT
BLACK	LID-54-UBKT

STANDARD FEATURES

MODEL NUMBER: LID-54-PWT
 FITS - 3.5, 5, 6 GALLON PLASTIC PAILS
 MATERIAL: HIGH DENSITY POLYETHYLENE (H.D.P.E.)
 COLOR: WHITE
 WIDTH AT WIDEST POINT: 12.13"
 OVERALL HEIGHT: 1.33"
 MINIMUM THICKNESS: 90 mil

APPROVAL

I, the undersigned, hereby approve this print
 As drawn As marked
 This includes my approval of design & dimensions.
 Signed: _____
 Date: _____

DISTRIBUTOR'S NAME: VESTIL MANUFACTURING		P.O.#: _
DRAWN BY: _		W.O.#: _
DATE: _	SALES: _	
REFERENCE: -	SCALE: 1:4	DRWG./FILE NAME: LID-54-PWT