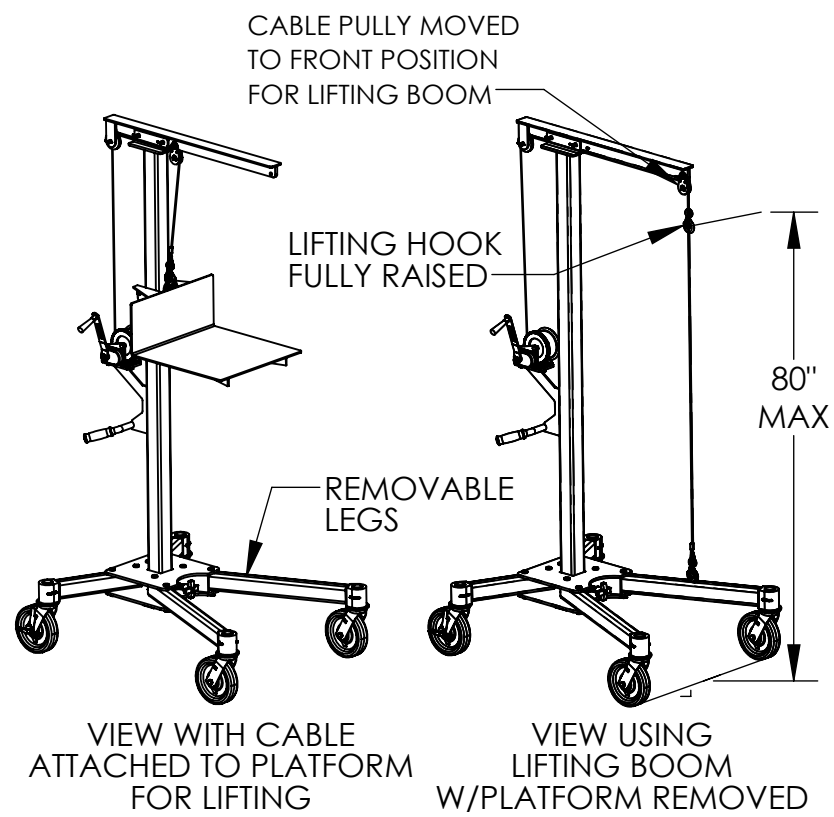
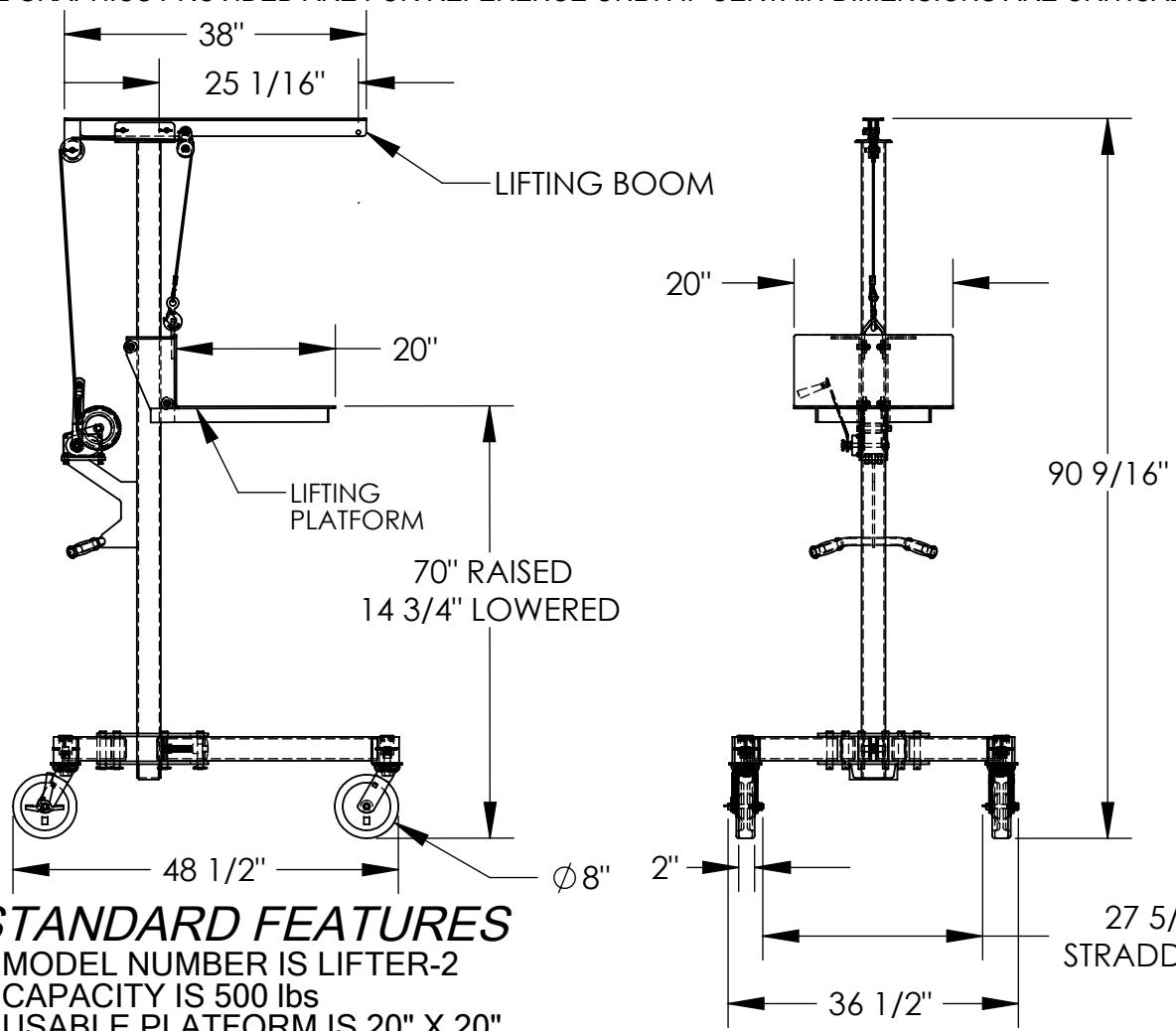


PORTABLE WORKSITE LIFT - LIFTER-2

APPROX WEIGHT: 300.64 lbs.
DOES NOT INCLUDE WEIGHT OF POWER OR PACKAGING!!!

*** ANY ADDITIONS, DELETIONS, OR OMISSIONS MUST BE CORRECTED ON THIS DRAWING AS THIS DRAWING WILL BE CONSIDERED ALL INCLUSIVE ***

ALL GRAPHICS PROVIDED ARE FOR REFERENCE ONLY. IF CERTAIN DIMENSIONS ARE CRITICAL PLEASE VERIFY THOSE DIMENSIONS WITH YOUR SALESPERSON



DIMENSION TOLERANCE ± 1/4"

STANDARD FEATURES

- MODEL NUMBER IS LIFTER-2
- CAPACITY IS 500 lbs
- USABLE PLATFORM IS 20" X 20"
- PLATFORM RAISED HEIGHT IS 70"
- PLATFORM LOWERED HEIGHT IS 14 3/4"
- OVERALL JIB LENGTH IS 38"
- OVERALL WIDTH IS 36 1/2"
- OVERALL LENGTH IS 48 1/2"
- OVERALL HEIGHT IS 90 9/16"
- OPERATION TYPE IS HAND WINCH
- UNIT BREAKS DOWN INTO (4) PIECES
(BASE, PLATFORM, UPRIGHT AND BOOM)
- FOUR Ø8 x 2" PHENOLIC SWIVEL CASTERS
- BOOM SERVICE RANGE IS 0" TO 80"
- BOOM REACH IS 25 1/16"
- TOUGH BAKED IN POWDER COATED YELLOW
FINISH FRAME WITH BLUE LIFTING PLATFORM

SPECIAL FEATURES

NONE

APPROVAL

I, THE UNDERSIGNED, AGREE THAT THE PRODUCT AS REPRESENTED SATISFIES DESIGN AND DIMENSION REQUIREMENTS. I ALSO ACKNOWLEDGE MY DUTY TO CONFIRM PRODUCT AND INSTALLATION COMPLIANCE WITH ALL APPLICABLE FEDERAL, STATE AND LOCAL REGULATIONS AND STANDARDS.
UNITS REQUIRING APPROVAL DRAWINGS OR MODIFIED ARE NON-RETURNABLE
[] As drawn [] As marked

Signed: _____ Date: _____

Printed Name: _____

LEAD TIME WILL START UPON RECEIPT OF SIGNED APPROVAL DRAWING

DISTRIBUTOR'S NAME:		P.O.#
VESTIL MANUFACTURING		X
DRAWN BY: S.ROSE		W.O.#
DATE: 12/2/05		X
REFERENCE: X	SCALE: 1:24	SALES: X
QUOTED LEAD TIME: X	QUOTE #	FILE NAME:
	X	42-007-021