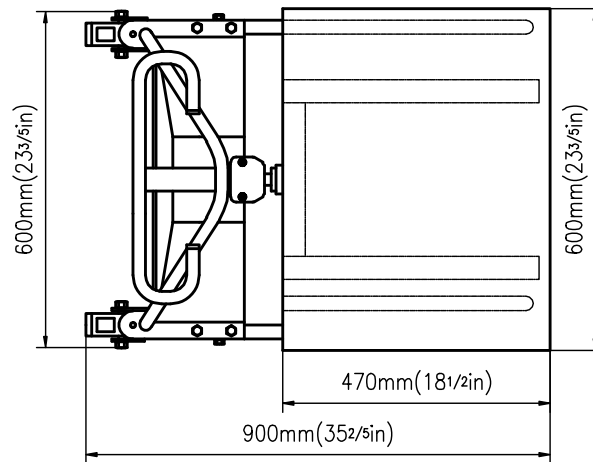
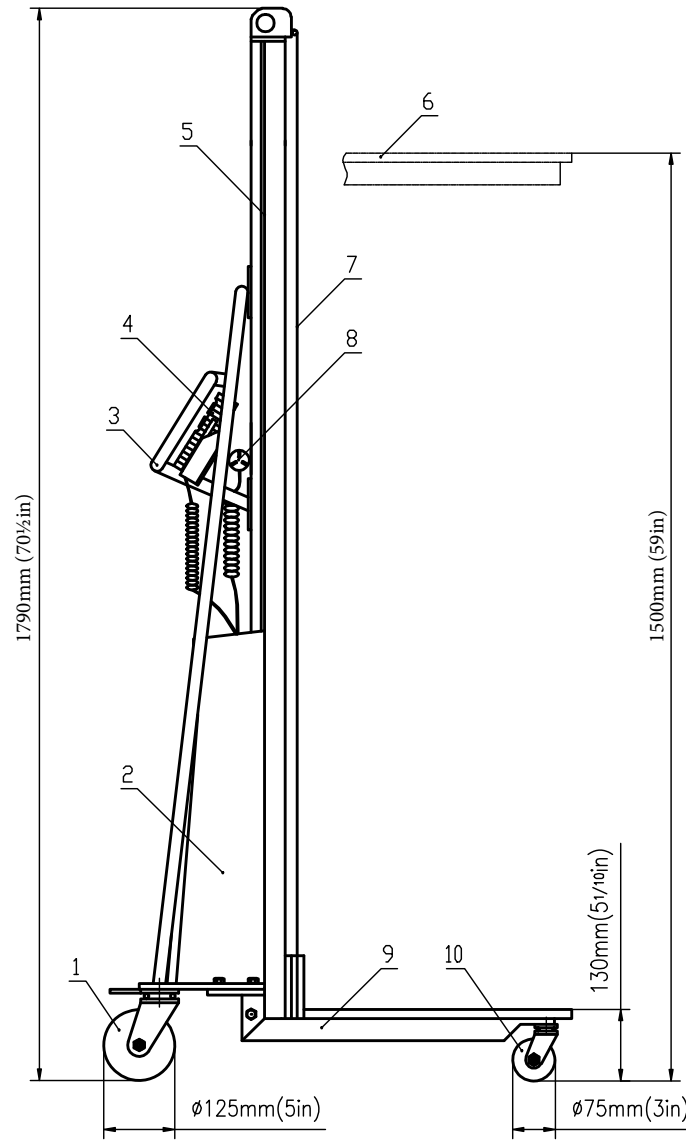


MWP- 330-DC (ELECTRIC MINI WORK POSITIONER)



Specifications

- *Model # MWP-330-DC
- *Capacity (UDL): 330 lbs
- *Lift height: 59"
- *Lowered height: 5 1/4"
- *Fixed forks over fixed legs
- *Single mast
- *Battery: 2x12V/17Ah AGM
- *Lift Speed: 30 secs
- *Down Speed: 29 secs
- *Overall mast height: 70 1/2"
- *Steering wheel: Ø5"
- *Front wheel: Ø3"

VESTIL MANUFACTURING CORP.

DRAWN BY: TM

DATE: 12/01/2017

Reference:

DRWG./FILE NAME:
MWP-330-DC