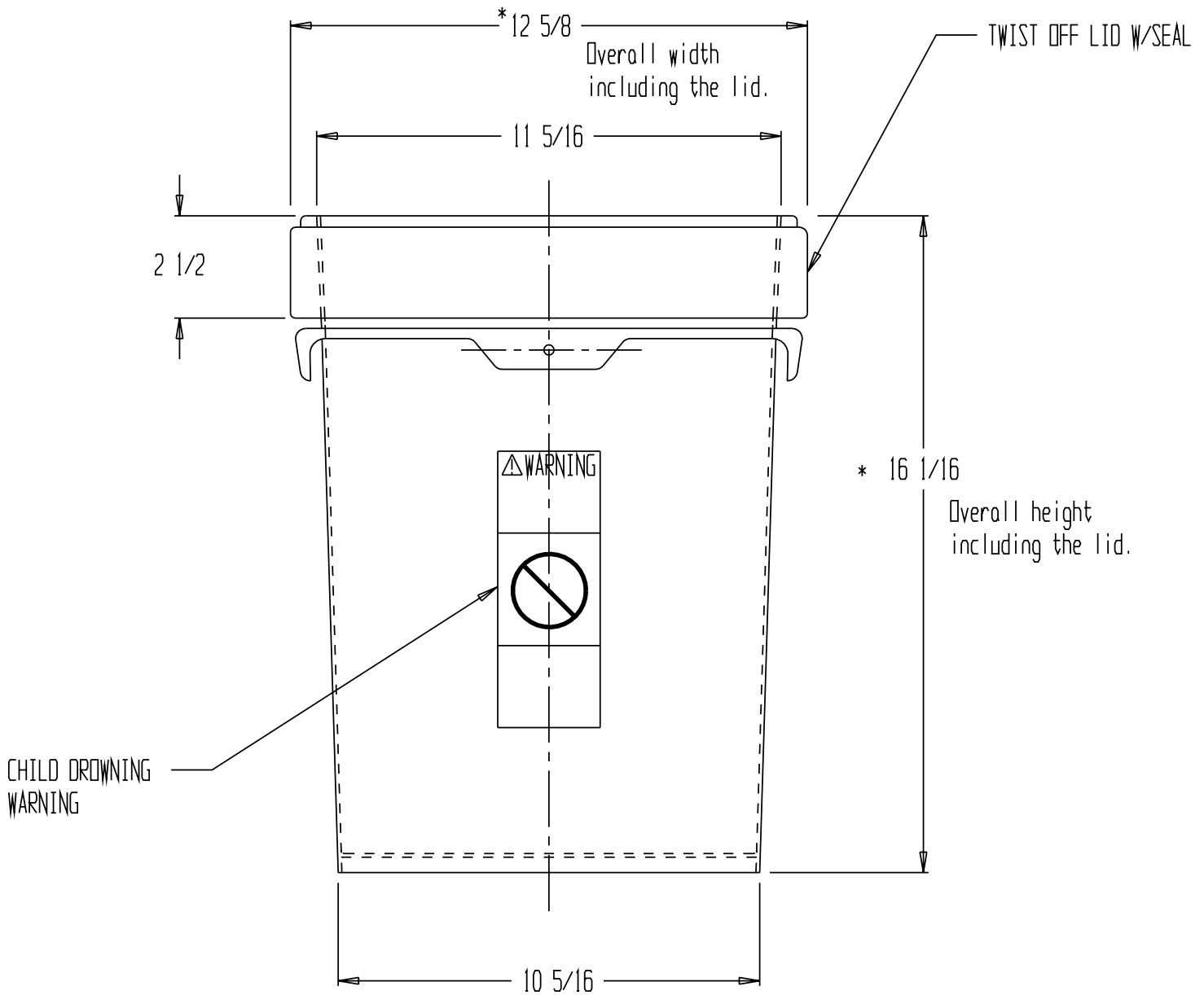


Plastic Pail - PAIL-SCR-5-W



STANDARD FEATURES

MODEL NUMBER: PAIL-SCR-5-W
 CAPACITY: 5 GALLONS
 MATERIAL: HIGH DENSITY POLYETHYLENE (H.D.P.E.)
 COLOR (PAIL & LID): WHITE
 WIDTH AT WIDEST POINT (including lid): 12.62"
 OVERALL HEIGHT WITH LID: 16.04"
 * ONE LID INCLUDED WITH EACH PAIL
 BOTTOM OUTSIDE DIAMETER: 10.29"
 INSIDE DIAMETER AT TOP: 11.25"
 INSIDE HEIGHT: 15.00"
 MINIMUM WALL THICKNESS (pail): 0.090"
 MINIMUM WALL THICKNESS (lid): 0.090"

LEAD TIME WILL START UPON RECEIPT OF SIGNED APPROVAL DRAWING

APPROVAL

I, the undersigned, hereby approve this print
 As drawn As marked
 This includes my approval of design & dimensions.
 Signed: _____
 Date: _____

- * U.N. CERTIFIED FOR GROUPS II & III
- * CHILD DROWNING WARNING STAMPED ON ONE SIDE

DISTRIBUTOR'S NAME:		P.O.#: _
VESTIL MANUFACTURING		W.O.#: _
DRAWN BY: _	DATE: _	SALES: _
REFERENCE:	DRWG./FILE NAME:	
-	PAIL-SCR-5-W.prt	
SCALE: 1:4		