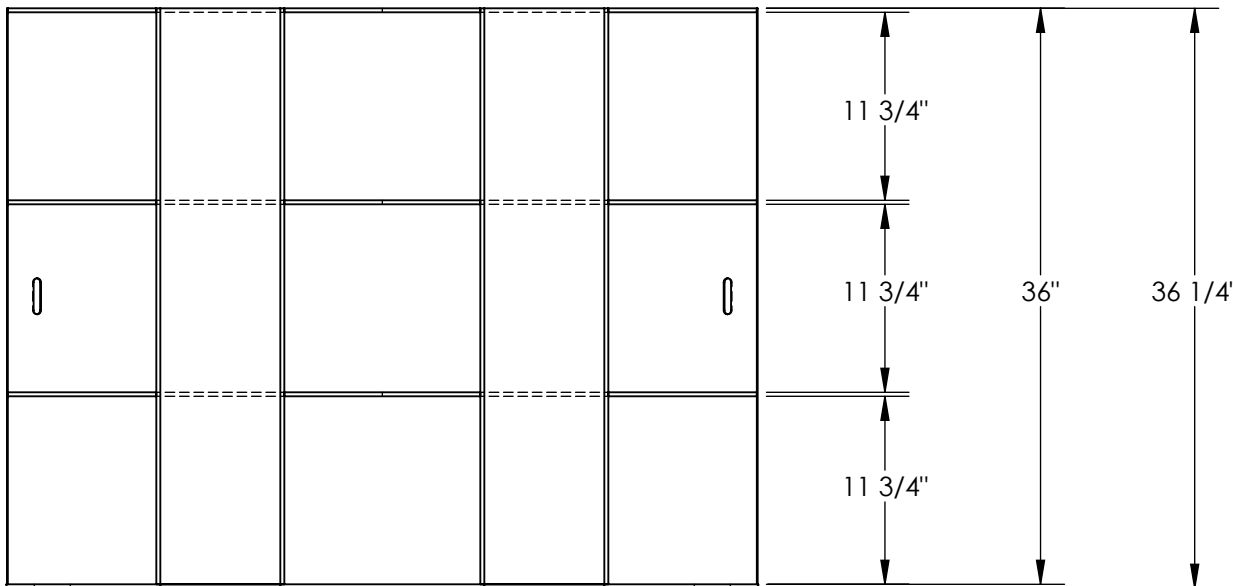
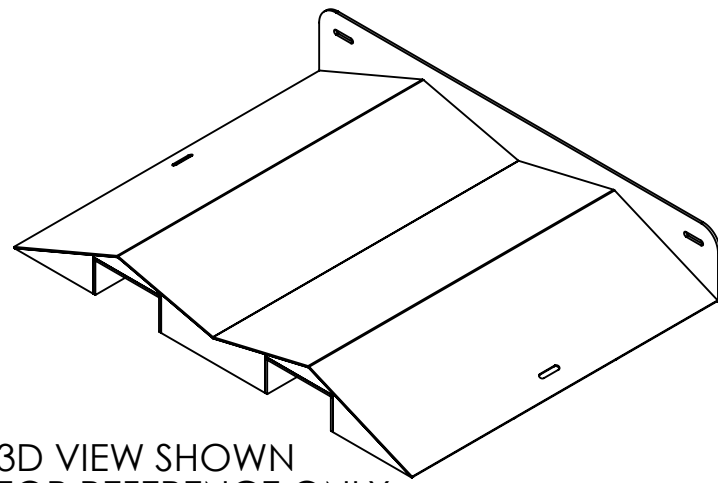
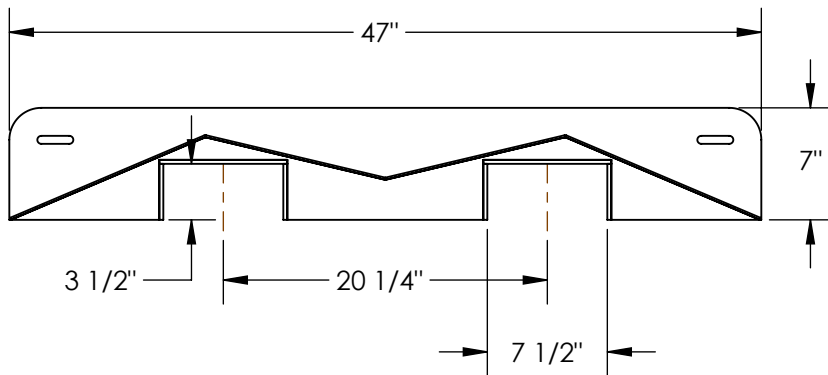


# PALLET TRUCK ROLL ADAPTER - PMRA-27

APPROX WEIGHT: 182.81 lbs. DOES NOT INCLUDE WEIGHT OF POWER OR PACKAGING!!!  
 \*\*\*ANY ADDITIONS, DELETIONS, OR OMISSIONS MUST BE CORRECTED ON THIS DRAWING AS THIS DRAWING WILL BE CONSIDERED ALL INCLUSIVE\*\*\*



ALL GRAPHICS PROVIDED ARE FOR REFERENCE ONLY. IF CERTAIN DIMENSIONS ARE CRITICAL PLEASE VERIFY THOSE DIMENSIONS WITH YOUR SALESPERSON

## STANDARD FEATURES

- MODEL NUMBER IS PMRA-27
- MAX CAPACITY IS 4,000 LBS.
- OVERALL WIDTH IS 47"
- USABLE WIDTH IS 47"
- OVERALL LENGTH IS 36 1/4"
- USABLE LENGTH IS 36"
- OVERALL HEIGHT IS 7"
- USABLE FORK POCKETS IS 7-1/2" W X 3-1/2" H
- FORK CENTERS IS 20 1/4"

## SPECIAL FEATURES

NONE

|  |  |             |
|--|--|-------------|
| A<br>P<br>P<br>R<br>O<br>V<br>A<br>L                         | I, THE UNDERSIGNED, AGREE THAT THE PRODUCT AS REPRESENTED SATISFIES DESIGN AND DIMENSION REQUIREMENTS. I ALSO ACKNOWLEDGE MY DUTY TO CONFIRM PRODUCT AND INSTALLATION COMPLIANCE WITH ALL APPLICABLE FEDERAL, STATE AND LOCAL REGULATIONS AND STANDARDS. |             |
|  | ANY MODIFIED UNITS ARE NON-RETURNABLE  |             |
|  | [ ] As drawn [ ] As marked   |             |
|  | Signed: _____  | Date: _____ |
| Printed Name: _____  |  |             |
| LEAD TIME WILL START UPON RECEIPT OF SIGNED APPROVAL DRAWING |  |             |

|   |  |                      |               |            |
|---|--|----------------------|---------------|------------|
| FOR INTERNAL USE ONLY<br>PROJECT SIGN OFF |  | DISTRIBUTOR'S NAME:  |               | P.O.#      |
|   |  | VESTIL MANUFACTURING |               | X          |
| SALES                                     |  | DRAWN BY: ND         | DATE: 5/27/11 | W.O.#      |
| ENG.                                      |  | REFERENCE: X         | SCALE: 1:12   | X          |
| FAB.                                      |  | QUOTED LEAD TIME: X  | QUOTE # X     | FILE NAME: |
| POWER                                     |  |                      |               | 33-007-212 |