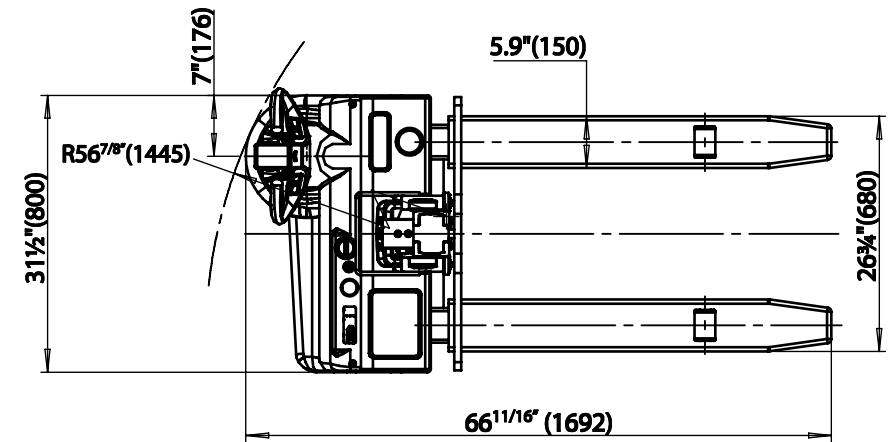
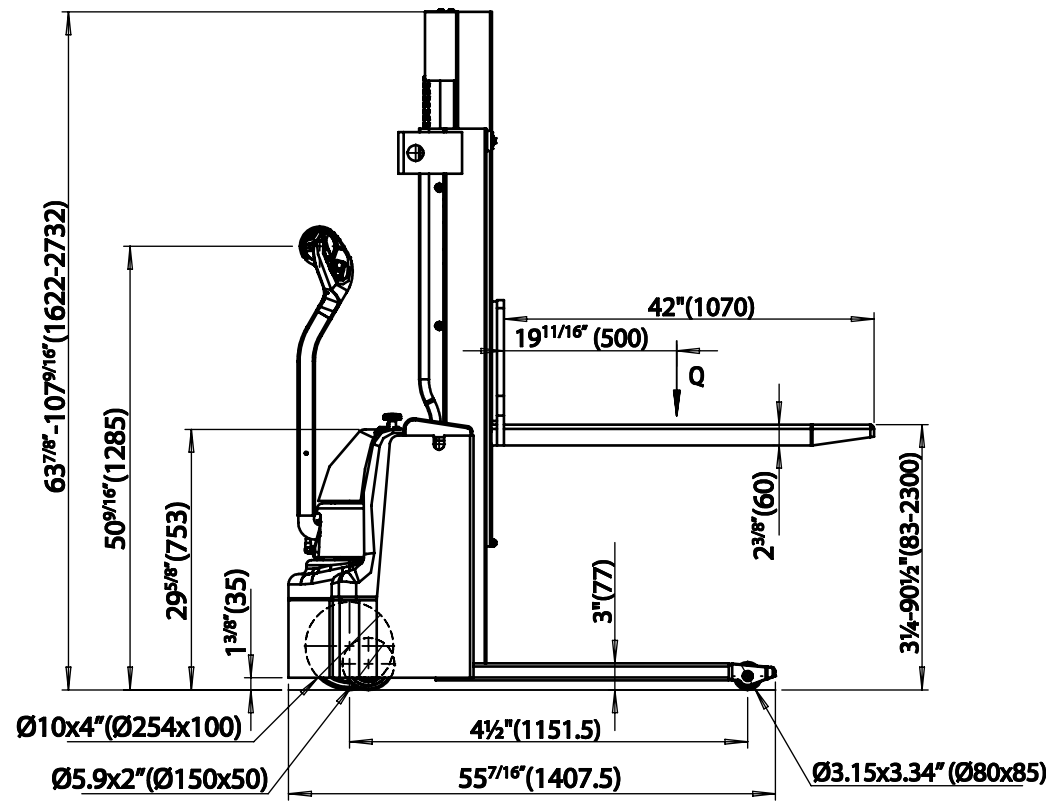


# NARROW MAST STACKER, FIXED FORKS & FIXED LEGS - SNM-90-FF-27

\*\*\* ANY ADDITIONS, DELETIONS, OR OMISSIONS MUST BE CORRECTED ON THIS DRAWING AS THIS DRAWING WILL BE CONSIDERED ALL INCLUSIVE \*\*\*

ALL GRAPHICS PROVIDED ARE FOR REFERENCE ONLY. IF CERTAIN DIMENSIONS ARE CRITICAL PLEASE VERIFY THOSE DIMENSIONS WITH YOUR SALESPERSON



DIMENSION TOLERANCE ± 1/2"

## FEATURES

- MODEL NUMBER: SNM-90-FF-27
- CAPACITY: 2,500 LBS UP TO 62"
- CAPACITY: 2,000 LBS UP TO 90"
- LIFT HEIGHT: 90"
- LOWERED HEIGHT: 3 1/4"
- OVERALL MAST HEIGHT (RETRACTED): 63 7/8"
- OVERALL MAST HEIGHT (EXTENDED): 107 9/16"
- FIXED FORKS OVER FIXED LEGS
- DRIVE MOTOR: DC24V/1Kw
- LIFT MOTOR: DC24V/2.0Kw
- BATTERY: 2x 12V/80-95Ah
- BATTERY CHARGER: 24V/12amp
- TRAVEL SPEED W/ LOAD: 3.1 m/h
- TRAVEL SPEED W/O LOAD: 3.8 m/h
- TOUGH BAKED IN POWDER COATED BLACK & YELLOW FINISH

**APPROVAL**

I, THE UNDERSIGNED, AGREE THAT THE PRODUCT AS REPRESENTED SATISFIES DESIGN AND DIMENSION REQUIREMENTS. I ALSO ACKNOWLEDGE MY DUTY TO CONFIRM PRODUCT AND INSTALLATION COMPLIANCE WITH ALL APPLICABLE FEDERAL, STATE AND LOCAL REGULATIONS AND STANDARDS.

**UNITS REQUIRING APPROVAL DRAWINGS OR MODIFIED ARE NON-RETURNABLE**

[ ] As drawn [ ] As marked

Signed: \_\_\_\_\_ Date: \_\_\_\_\_

Printed Name: \_\_\_\_\_

LEAD TIME WILL START UPON RECEIPT OF SIGNED APPROVAL DRAWING

FOR INTERNAL USE ONLY PROJECT SIGN OFF	
SALES	
ENG.	
FAB.	
POWER	

DISTRIBUTOR'S NAME:		P.O.#
VESTIL MANUFACTURING		X
DRAWN BY: TM		W.O.#
DATE: 6/4/2020		X
REFERENCE: X	SCALE: 1:2	SALES: X
QUOTED LEAD TIME: X	QUOTE #	FILE NAME:
	X	SNM-90-FF-27