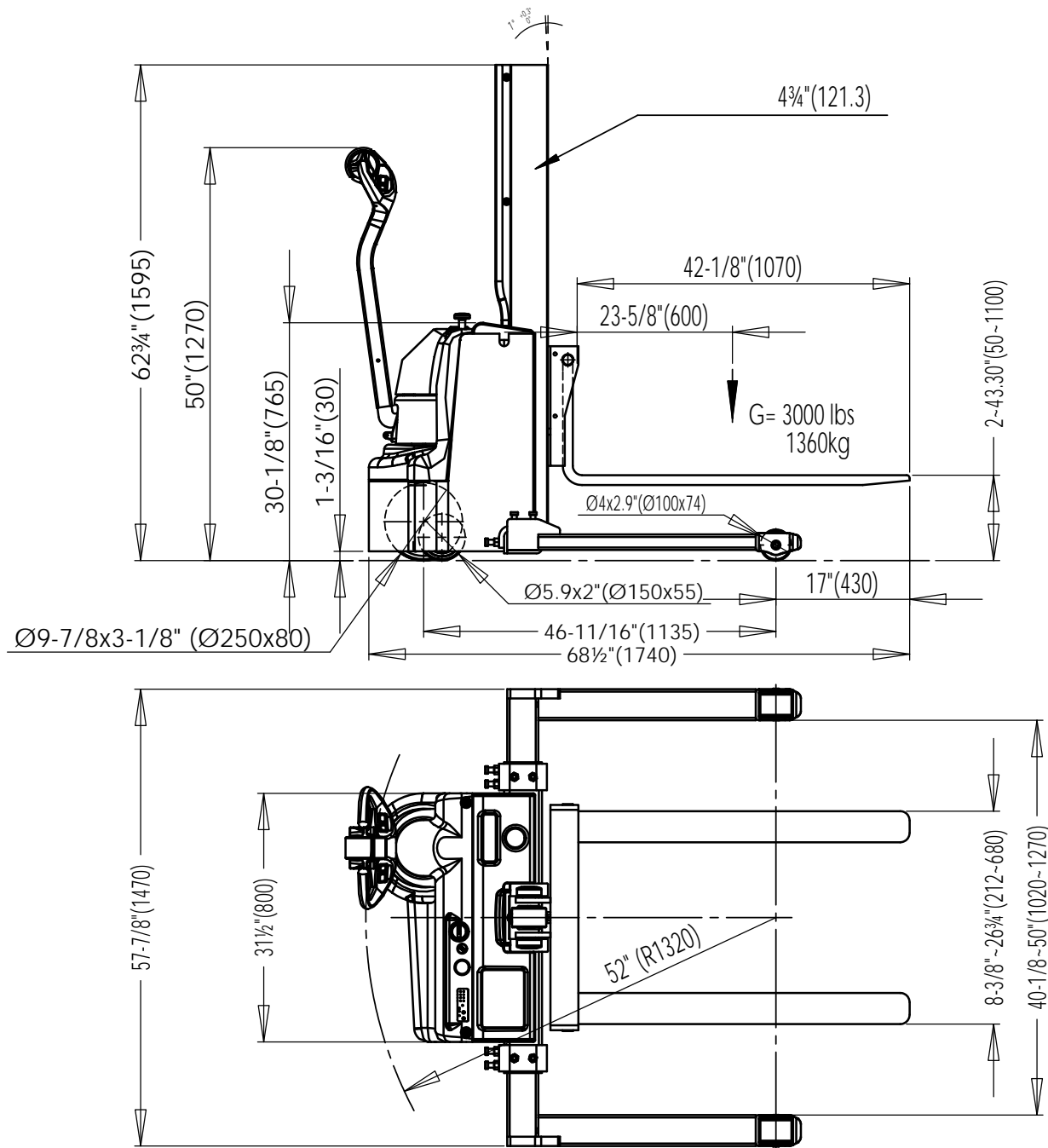


**SNM3-43-AA (HEAVY DUTY NARROW MAST STACKER WITH ADJUSTABLE FORKS AND ADJUSTABLE LEGS)**



**Specifications**

Model # SNM3-43-AA  
 Capacity (UDL): 3,000 lbs  
 Lift height: 43.30"  
 Lowered height: 2"  
 Adjustable Forks & adjustable legs  
 Overall mast height (Retracted): 62 3/4"  
 Drive wheel: Ø9-7/8x3-1/8"  
 Front wheel: Ø4x2.9"  
 Stabilizer wheel: Ø5.9x2.0"  
 Drive Motor: DC24V/1.0Kw  
 Lift Motor: DC24V/2.0Kw  
 Battery: 2x12V/80Ah  
 Battery Charger: 24V/12amp  
 Raise Time with load: 5.9"/s  
 Raise Time w/o load: 4"/s  
 Down Time with load: 2.95"/s  
 Down Time w/o load: 3.15"/s  
 Travel Speed w/load: 2.79m/h  
 Travel Speed w/o load: 3.4m/h

VESTIL MANUFACTURING CORP.	
Model: SNM3-43-AA	
Descrip: Heavy Duty Narrow Mast Stacker	
Design: T.M.	Date: 03/11/2014