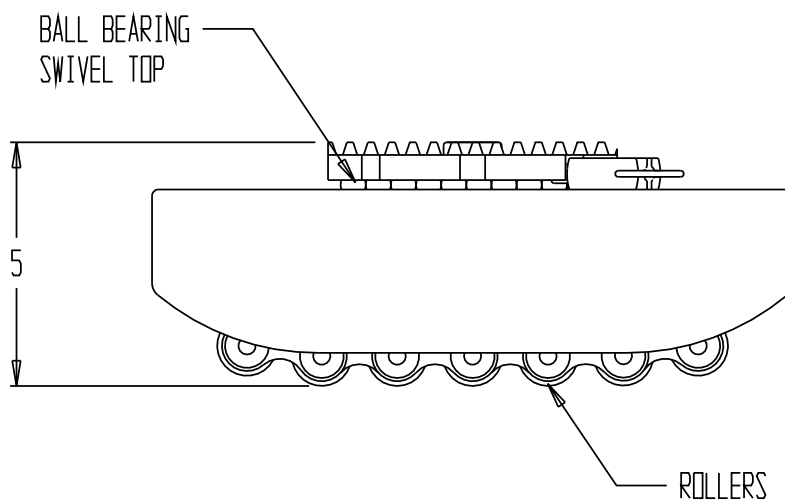
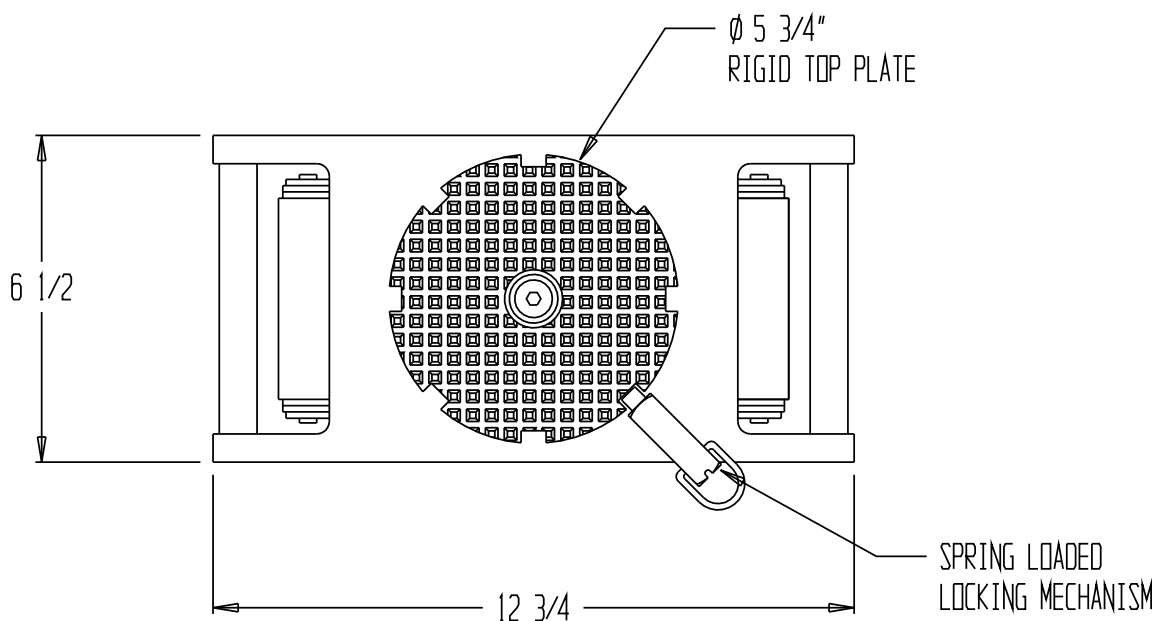


MACHINE ROLLER, VHMS-30



STANDARD FEATURES

MODEL NUMBER: VHMS-30
 CAPACITY: 30000 LBS
 BODY WIDTH: 6 1/2"
 BODY LENGTH: 12 3/4"
 OVERALL HEIGHT: 5"
 RIGID ϕ 5 3/4" TOP PLATE
 ROLLER LENGTH: 4"
 ROLLER DIA: ϕ 1 3/16"
 NUMBER OF ROLLERS: 14

SPECIAL FEATURES

NONE

LEAD TIME WILL START UPON
 RECEIPT OF SIGNED APPROVAL
 DRAWING

APPROVAL

I, the undersigned, hereby approve this print
 As drawn As marked
 This includes my approval of design & dimensions.
 Signed: _____
 Date: _____

DISTRIBUTOR'S NAME:		P.O.#: -
VESTIL MANUFACTURING		W.O.#: -
DRAWN BY: QW	DATE: 08/02/06	SALES: -
REFERENCE:		DRWG./FILE NAME:
-	SCALE: 1:4	-

**SPECIAL UNITS ARE NON-RETURNABLE
 *AVAILABLE AT ADDITIONAL COSTS