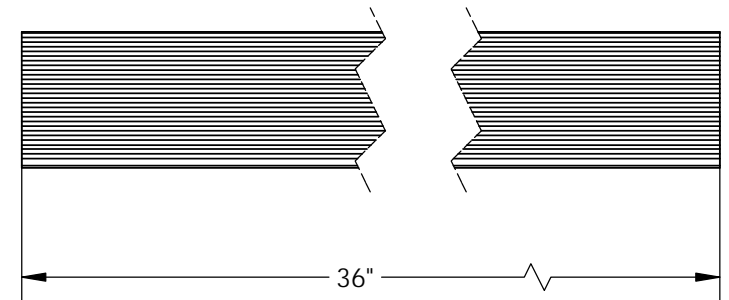
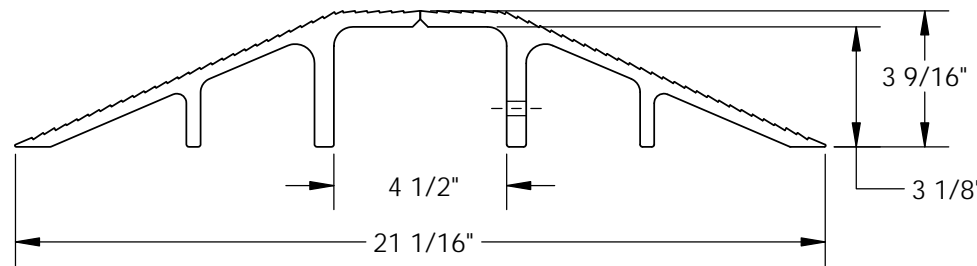
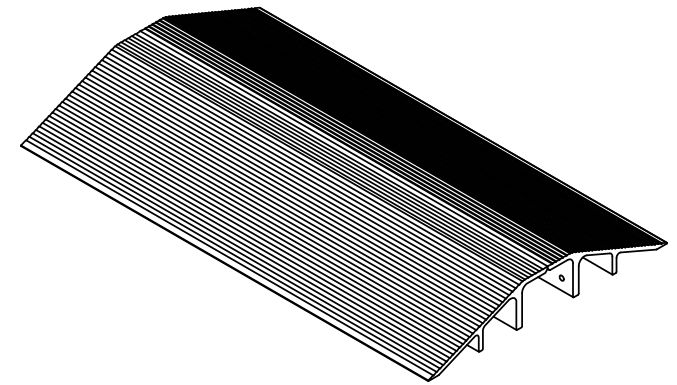


EXTRUDED ALUMINUM HOSE & CABLE CROSSOVER RAMP - XHCR-36-BK

APPROX WEIGHT: 43.39 lbs.
DOES NOT INCLUDE WEIGHT OF POWER OR PACKAGING!!!

*** ANY ADDITIONS, DELETIONS, OR OMISSIONS MUST BE CORRECTED ON THIS DRAWING AS THIS DRAWING WILL BE CONSIDERED ALL INCLUSIVE ***

ALL GRAPHICS PROVIDED ARE FOR REFERENCE ONLY. IF CERTAIN DIMENSIONS ARE CRITICAL PLEASE VERIFY THOSE DIMENSIONS WITH YOUR SALESPERSON



DIMENSION TOLERANCE $\pm 1/4$ "

NOTE: HOLE IS FOR POWDER COATED UNITS ONLY

STANDARD FEATURES

MODEL NUMBER: XHCR-36-BK
SINGLE WHEEL CAPACITY: 10,000 LBS.
OVERALL WIDTH: 21 1/16"
OVERALL LENGTH: 36"
OVERALL HEIGHT: 3 9/16"
USABLE WIDTH: 4 1/2"
USABLE HEIGHT: 3 1/8"
TWO PIECE WELDED CONSTRUCTION
FINISH: BLACK

SPECIAL FEATURES

NONE

APPROVAL	I, THE UNDERSIGNED, AGREE THAT THE PRODUCT AS REPRESENTED SATISFIES DESIGN AND DIMENSION REQUIREMENTS. I ALSO ACKNOWLEDGE MY DUTY TO CONFIRM PRODUCT AND INSTALLATION COMPLIANCE WITH ALL APPLICABLE FEDERAL, STATE AND LOCAL REGULATIONS AND STANDARDS.	
	ANY MODIFIED UNITS ARE NON-RETURNABLE	
	[] As drawn [] As marked	
	Signed: _____	Date: _____
Printed Name: _____		
LEAD TIME WILL START UPON RECEIPT OF SIGNED APPROVAL DRAWING		

FOR INTERNAL USE ONLY PROJECT SIGN OFF	
SALES	
ENG.	
FAB.	
POWER	

DISTRIBUTOR'S NAME:		P.O.#
VESTIL MANUFACTURING		X
DRAWN BY:	DATE:	W.O.#
K.YEAKLE	05/10/12	X
REFERENCE:	SCALE:	FILE NAME:
X	1:5	29-007-168-001
QUOTED LEAD TIME:	QUOTE #	
X	X	