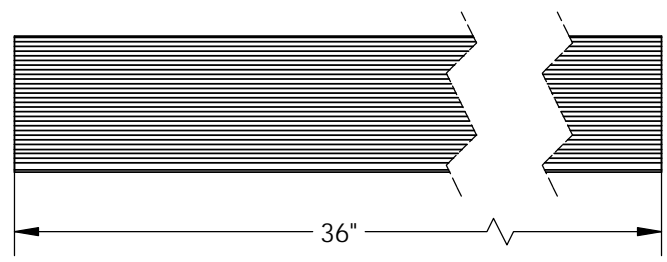
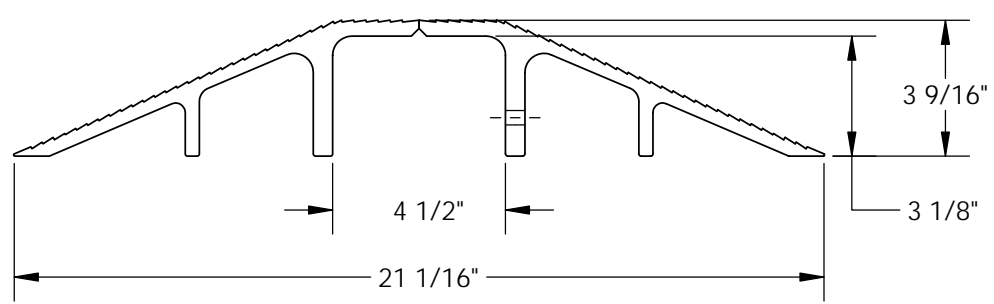
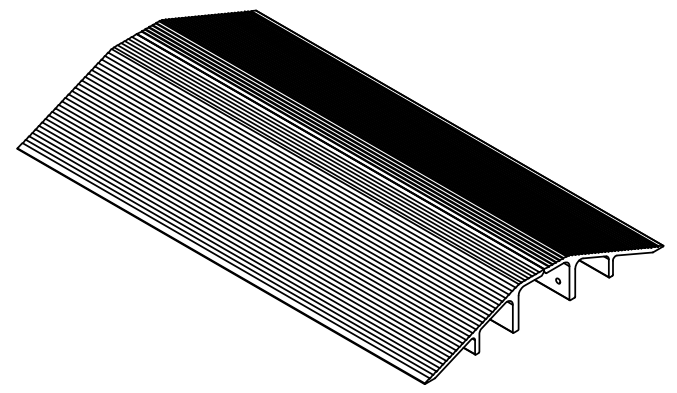


EXTRUDED ALUMINUM HOSE & CABLE CROSSOVER RAMP - XHCR-36-Y

APPROX WEIGHT: 43.39 lbs.
 DOES NOT INCLUDE WEIGHT OF POWER OR PACKAGING!!!

*** ANY ADDITIONS, DELETIONS, OR OMISSIONS MUST BE CORRECTED ON THIS DRAWING AS THIS DRAWING WILL BE CONSIDERED ALL INCLUSIVE ***
 ALL GRAPHICS PROVIDED ARE FOR REFERENCE ONLY. IF CERTAIN DIMENSIONS ARE CRITICAL PLEASE VERIFY THOSE DIMENSIONS WITH YOUR SALESPERSON



DIMENSION TOLERANCE ± 1/4"

NOTE: HOLE IS FOR POWDER COATED UNITS ONLY

STANDARD FEATURES

- MODEL NUMBER: XHCR-36-Y
- SINGLE WHEEL CAPACITY: 10,000 LBS.
- OVERALL WIDTH: 21 1/16"
- OVERALL LENGTH: 36"
- OVERALL HEIGHT: 3 9/16"
- USABLE WIDTH: 4 1/2"
- USABLE HEIGHT: 3 1/8"
- TWO PIECE WELDED CONSTRUCTION
- FINISH: YELLOW

SPECIAL FEATURES

NONE

| | | |
|---|--|-------------|
| APPROVAL | I, THE UNDERSIGNED, AGREE THAT THE PRODUCT AS REPRESENTED SATISFIES DESIGN AND DIMENSION REQUIREMENTS. I ALSO ACKNOWLEDGE MY DUTY TO CONFIRM PRODUCT AND INSTALLATION COMPLIANCE WITH ALL APPLICABLE FEDERAL, STATE AND LOCAL REGULATIONS AND STANDARDS. | |
| | ANY MODIFIED UNITS ARE NON-RETURNABLE | |
| | [] As drawn [] As marked | |
| | Signed: _____ | Date: _____ |
| Printed Name: _____ | | |
| <i>LEAD TIME WILL START UPON RECEIPT OF SIGNED APPROVAL DRAWING</i> | | |

| FOR INTERNAL USE ONLY PROJECT SIGN OFF | |
|---|--|
| SALES | |
| ENG. | |
| FAB. | |
| POWER | |

| | | |
|-----------------------------|------------|----------------|
| DISTRIBUTOR'S NAME: | | P.O.# |
| VESTIL MANUFACTURING | | X |
| DRAWN BY: K.YEAKLE | | W.O.# |
| DATE: 05/10/12 | | X |
| REFERENCE: X | SCALE: 1:5 | SALES: X |
| QUOTED LEAD TIME: X | QUOTE # | FILE NAME: |
| | X | 29-007-168-003 |