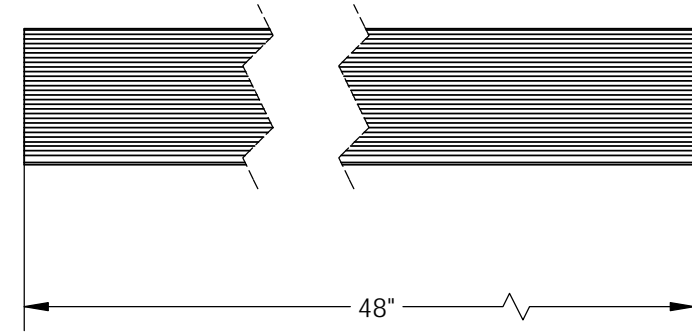
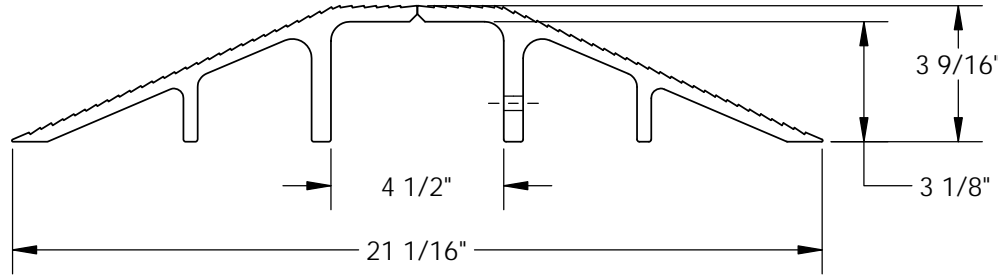
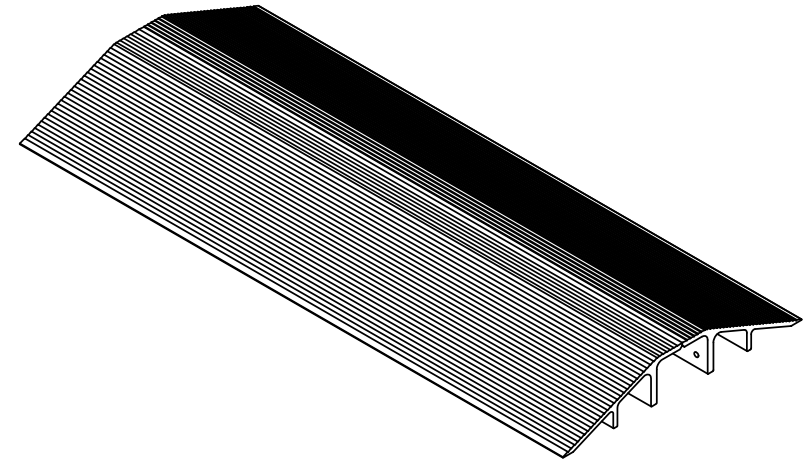


EXTRUDED ALUMINUM HOSE & CABLE CROSSOVER RAMP - XHCR-48 -BK

APPROX WEIGHT: 57.86 lbs.
 DOES NOT INCLUDE WEIGHT OF POWER OR PACKAGING!!!

*** ANY ADDITIONS, DELETIONS, OR OMISSIONS MUST BE CORRECTED ON THIS DRAWING AS THIS DRAWING WILL BE CONSIDERED ALL INCLUSIVE ***

ALL GRAPHICS PROVIDED ARE FOR REFERENCE ONLY. IF CERTAIN DIMENSIONS ARE CRITICAL PLEASE VERIFY THOSE DIMENSIONS WITH YOUR SALESPERSON



DIMENSION TOLERANCE $\pm 1/4$ "

NOTE: HOLE IS FOR POWDER COATED UNITS ONLY

STANDARD FEATURES

MODEL NUMBER: XHCR-48-BK
 SINGLE WHEEL CAPACITY: 10,000 LBS.
 OVERALL WIDTH: 21 1/16"
 OVERALL LENGTH: 48"
 USABLE WIDTH: 4 1/2"
 USABLE HEIGHT: 3 1/8"
 OVERALL HEIGHT: 3 9/16"
 TWO PIECE WELDED CONSTRUCTION
 FINISH: BLACK

SPECIAL FEATURES

NONE

APPROVAL

I, THE UNDERSIGNED, AGREE THAT THE PRODUCT AS REPRESENTED SATISFIES DESIGN AND DIMENSION REQUIREMENTS. I ALSO ACKNOWLEDGE MY DUTY TO CONFIRM PRODUCT AND INSTALLATION COMPLIANCE WITH ALL APPLICABLE FEDERAL, STATE AND LOCAL REGULATIONS AND STANDARDS.

ANY MODIFIED UNITS ARE NON-RETURNABLE

[] As drawn [] As marked

Signed: _____ Date: _____

Printed Name: _____

LEAD TIME WILL START UPON RECEIPT OF SIGNED APPROVAL DRAWING

FOR INTERNAL USE ONLY PROJECT SIGN OFF	
SALES	
ENG.	
FAB.	
POWER	

DISTRIBUTOR'S NAME:		P.O.#
VESTIL MANUFACTURING		X
DRAWN BY: K.YEAKLE		DATE: 05/10/12
REFERENCE: X		SCALE: 1:5
QUOTED LEAD TIME: X		QUOTE #
		X
		W.O.#
		X
		SALES: X
		FILE NAME:
		29-007-169-001