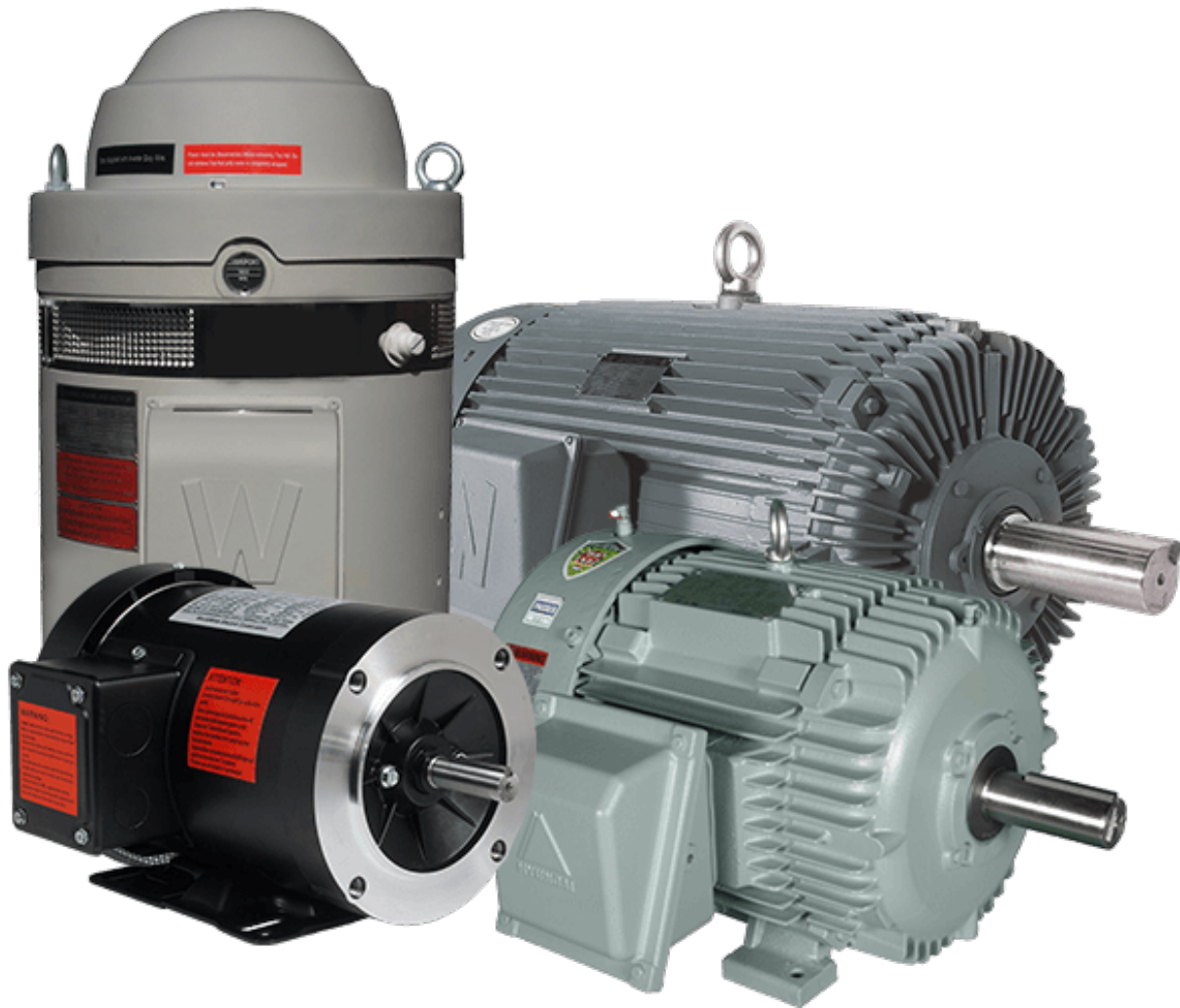




WorldWide
ELECTRIC CORPORATION

Electric
Motors

(800) 808-2131
worldwideelectric.com



Electric Motors

Stock Products Catalog

2023

WorldWide Electric's complete line of motors, including Fractional HP, Stainless, Jet Pump, Farm Duty, Premium Efficient, Explosion Proof, Rock Crusher, Oil Well Pump, Hyundai Lines and More



WorldWide Electric Motors

Proven, reliable designs

WorldWide Electric's flagship line of electric motors includes our Fractional HP, Stainless Steel, Jet Pump, Permanent Magnet DC, Farm Duty, Premium Efficient, Explosion Proof, Advanced Design Rock Crusher, Oil Well Pump, Closed Coupled Pump, IEC Aluminum Frame and Vertical Hollow Shaft motors. We also offer Hyundai Electric Crown Triton™ Premium Efficiency, IEEE-841, Explosion Proof, and Severe Duty Large Frame Motors.

WorldWide Electric has been in the motor business for more than two decades, providing reliable and affordable electric motors, motor controls, and gear reducers. We continue to meet the needs of the most unique applications and strive to have the best customer service in the industry.



A Note About Pricing

Dear Valued Customer,

All domestic and international electric motor manufacturers are currently grappling with uncertain pricing and availability of raw materials, labor, and transportation. As a result of the unpredictability of the global supply chain, the prices printed in this catalog are subject to change.

To obtain the most up-to-date and accurate pricing, please contact your WorldWide Electric Sales Representative or sign into your online account at worldwideelectric.com.

- Contact information for your Sales Representative is available at worldwideelectric.com/support
- Your Sales Representative can assist you with creating an online account on worldwideelectric.com where you will be able to view current pricing and inventory information.

Thank you very much for your patience as we continue to navigate the ongoing effects of the Coronavirus pandemic on global markets. We truly appreciate your business, and we look forward to continuing to serve you with exceptional customer support.

Best Regards,
Patrick Toms, Executive Vice President and General Manager
WorldWide Electric Corporation

Table of Contents

Section 1: WORLDWIDE Fractional HP Motors		Multiplier
General Purpose Motors	3	_____
Stearns Double C-Face Coupler Brakes	5	_____
Jet Pump Motors	6	_____
Fractional HP Stainless Steel / Washdown Duty Motors	9	_____
Permanent Magnet DC Motors	11	_____
Section 2: WORLDWIDE Farm Duty Motors		
Fractional Farm Duty Motors	13	_____
Integral Farm Duty Motors	14	_____
Section 3: WORLDWIDE Premium Efficient Stainless Steel Motors		
Premium Efficient Stainless Steel Motors - TEFC	15	_____
Premium Efficient Stainless Steel Motors - TENV	17	_____
Section 4: WORLDWIDE Open Drip Proof (ODP) Motors		
Open Drip Proof (ODP) Motors - Rigid Base	19	_____
Section 5: WORLDWIDE Premium Efficient (PEWWE) Severe Duty Motors		
Premium Efficient Severe Duty Motors - Rigid Base	21	_____
Premium Efficient Severe Duty Motors - C-Face	25	_____

Table of Contents continued on next page

Section 6: WORLDWIDE Explosion Proof Motors		
Explosion Proof Motors - Rigid Base	27	_____
Explosion Proof Motors - C-Face	29	_____
Section 7: WORLDWIDE Definite Purpose Motors		
Advanced Design Rock Crusher Motors	30	_____
Oil Well Pump Motors	31	_____
Close Coupled Pump Motors - TEFC	32	_____
Close Coupled Pump Motors - ODP	34	_____
Vertical Hollow Shaft Motors	36	_____
Section 8: Louis Allis LAM IEEE 45 Marine-Duty Motors		
LAM IEEE 45 Marine-Duty Motors - Rigid Base	38	_____
LAM IEEE 45 Marine-Duty Motors - C-Face	40	_____
LAM IEEE 45 Marine-Duty Motors - C-Face - Round Body	41	_____
LAM Custom Modification Program	43	_____
Section 9: WORLDWIDE IEC Aluminum Frame Motors		
IEC Aluminum Frame Motors	44	_____
Section 10: HYUNDAI Crown Triton™ G2 Series Motors		
HYUNDAI G2 Motors - Rigid Base	45	_____
HYUNDAI G2 Motors - C-Face	46	_____
HYUNDAI G2 Motors - C-Face - Round Body	47	_____
Section 11: HYUNDAI Crown Triton™ Series Motors - Severe Duty		
HYUNDAI Severe Duty Motors - Rigid Base	48	_____
HYUNDAI Severe Duty Motors - Large Frame	50	_____
HYUNDAI Severe Duty Motors - C-Face	51	_____
HYUNDAI Severe Duty Motors - C-Face - Round Body	52	_____
Section 12: HYUNDAI Crown Triton™ Series Motors - IEEE-841		
HYUNDAI IEEE-841 Motors - Rigid Base	53	_____
HYUNDAI IEEE-841 Motors - C-Face	55	_____
Section 13: Motor Accessories and Modifications		
Motor Slide Bases	56	_____
“Insta-Mod” Modification Program	57	_____
Section 14: Reference		
Warranty Policy	58	
Return Policy	60	
Freight Terms / Programs / Services	60	

General Purpose Motors

TEFC Enclosure ▪ C-Face with Removable Base ▪ Single-Phase ▪ 115/230 Volt

Product Specifications

- 1/3 - 2 HP
- 3600 and 1800 RPM
- 115/230 Volt
- Totally Enclosed Fan Cooled (TEFC) Enclosure
- IP43 Protection
- 1.15 SF
- Class F Insulation
- C-Face with Removable Base
- Capacitor Start / Induction Run (1/3 - 1 HP)
- Capacitor Start / Capacitor Run (1.5 - 2 HP)
for Reduced Amperage and High Torque
- Vacuum Pressure Impregnation (VPI) System
- Anti-Rust Film Applied to Rotor
- Improved Shaft Seal on Drive-End Protects
Drive-End Bearing from Moisture and Contaminants



Suitable for Use with
Stearns Coupler Brakes
Found on Page 5



1

WORLDWIDE
Fractional HP

HP	RPM	Voltage	Frame	Model Number	List Price	FL Amps (A)	FL Eff. (%)	Approx. Wt. (lbs.)	Notes
1/3	3600	115/230	56C	NT13-36-56CB	\$363.18	2.7	59.5	21	
	1800	115/230	56C	NT13-18-56CB	\$373.21	2.6	63.0	22	
1/2	3600	115/230	56C	NT12-36-56CB	\$383.34	3.3	63.0	23	
	1800	115/230	56C	NT12-18-56CB	\$393.21	3.6	64.5	25	
3/4	3600	115/230	56C	NT34-36-56CB	\$394.15	4.6	66.5	27	
	1800	115/230	56C	NT34-18-56CB	\$427.98	5.0	67.0	29	
1	3600	115/230	56C	NT1-36-56CB	\$431.24	5.8	69.5	30	
	1800	115/230	56C	NT1-18-56CB	\$477.50	6.5	70.0	36	
1.5	3600	115/230	56C	NT1.5-36-56CB	\$539.07	6.5	77.0	31	
	1800	115/230	56C	NT1.5-18-56CB	\$603.03	7.3	77.0	37	
2	3600	115/230	56C	NT2-36-56CB	\$594.18	8.5	79.5	37	
	1800	115/230	56C	NT2-18-56CB	\$733.70	9.8	79.0	44	

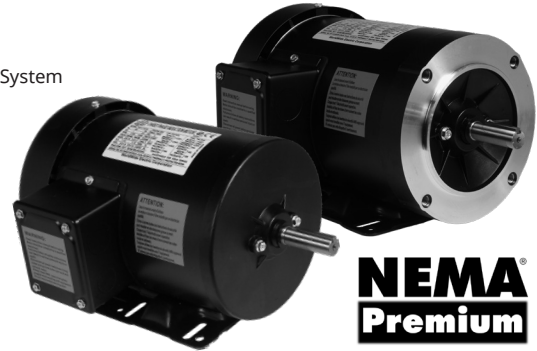
General Purpose Motors

TEFC Enclosure ▪ Rigid Base and C-Face ▪ Three-Phase ▪ 230/460 Volt

Product Specifications

- Rigid Base: 1/2 - 2 HP; 1800 RPM
- C-Face: 1/3 - 3 HP; 3600 and 1800 RPM
- 230/460 Volt
- Totally Enclosed Fan Cooled (TEFC) Enclosure
- IP43 Protection
- 1.15 SF
- Class F Insulation
- Premium Efficiency (1-3 HP)

- Vacuum Pressure Impregnation (VPI) System
- Anti-Rust Film Applied to Rotor
- Improved Shaft Seal on Drive-End Protects Drive-End Bearing from Moisture and Contaminants
- Inverter Rated, 4:1 CT / 10:1 VT
- Suitable for 50 Hz at 1.0 SF (Derate in HP)



NEMA
Premium

**Only the NATE models meet the NEMA Premium Efficiency specifications.*

Suitable for Use with Stearns Coupler Brakes Found on Page 5



HP	RPM	Voltage	Frame	Model Number	List Price	FL Amps (A)	FL Eff. (%)	Approx. Wt. (lbs.)	Notes
Rigid Base									
1/2	1800	230/460	56	NAT12-18-56	\$352.01	0.95	70.0	19	
3/4	1800	230/460	56	NAT34-18-56	\$376.65	1.3	73.0	22	
1	1800	230/460	56	NATE1-18-56	\$466.58	1.61	85.5	35	P
1.5	1800	230/460	56	NATE1.5-18-56	\$550.87	2.26	86.5	43	P
2	1800	230/460	56	NATE2-18-56	\$656.41	2.96	86.5	49	P
C-Face ▪ Removable Base									
1/3	3600	230/460	56C	NAT13-36-56CB	\$312.75	0.65	60.0	18	
	1800	230/460	56C	NAT13-18-56CB	\$340.49	0.72	67.0	18	
1/2	3600	230/460	56C	NAT12-36-56CB	\$326.43	0.85	67.5	19	
	1800	230/460	56C	NAT12-18-56CB	\$361.60	0.95	70.0	19	
3/4	3600	230/460	56C	NAT34-36-56CB	\$339.99	1.2	71.5	21	
	1800	230/460	56C	NAT34-18-56CB	\$392.10	1.3	73.0	22	
1	3600	230/460	56C	NATE1-36-56CB	\$475.04	1.5	77.0	23	P
	1800	230/460	56C	NATE1-18-56CB	\$514.70	1.61	85.5	35	P
1.5	3600	230/460	56C	NATE1.5-36-56CB	\$537.90	1.98	84.0	31	P
	1800	230/460	56C	NATE1.5-18-56CB	\$652.37	2.26	86.5	43	P
2	3600	230/460	56C	NATE2-36-56CB	\$594.46	2.61	85.5	34	P
	1800	230/460	56C	NATE2-18-56CB	\$727.14	2.96	86.5	59	P
3	3600	230/460	56C	NATE3-36-56CB	\$687.65	3.69	86.5	52	P
C-Face ▪ Round Body									
1/3	1800	230/460	56C	NAT13-18-56CRD	\$340.49	0.72	67.0	18	
1/2	1800	230/460	56C	NAT12-18-56CRD	\$361.60	0.95	70.0	19	
3/4	1800	230/460	56C	NAT34-18-56CRD	\$392.10	1.3	73.0	22	
1	3600	230/460	56C	NATE1-36-56CRD	\$475.04	1.5	77.0	23	P
	1800	230/460	56C	NATE1-18-56CRD	\$514.70	1.61	85.5	35	P
1.5	3600	230/460	56C	NATE1.5-36-56CRD	\$537.90	1.98	84.0	31	P
	1800	230/460	56C	NATE1.5-18-56CRD	\$652.37	2.26	86.5	43	P
2	3600	230/460	56C	NATE2-36-56CRD	\$594.46	2.61	85.5	34	P
	1800	230/460	56C	NATE2-18-56CRD	\$727.14	2.96	86.5	59	P
3	3600	230/460	56C	NATE3-36-56CRD	\$687.65	3.69	86.5	52	P

P NATE models are premium efficiency

When using any motor with a variable frequency drive, take precautions to eliminate or reduce shaft currents in order to prolong bearing life.

Stearns Double C-Face Coupler Brakes For Drive-End of Motor

Product Specifications

- NEMA C-Frame: 56C
- Torque lb-ft : 1.5, 3, 6, 10
- IP54 Protection
- Coil Voltage: 115/230 (VAC 60Hz), 230/460 (VAC 60Hz)
- Manual Release Knob
- CSA Certified File LR6254
- RoHS3 Compliant
- Self-Adjusting
- AC Operated Coil
- Solenoid Actuated Brake (SAB)
- Designed for industrial applications that fit between a standard C-Face motor and quill input C-Flange

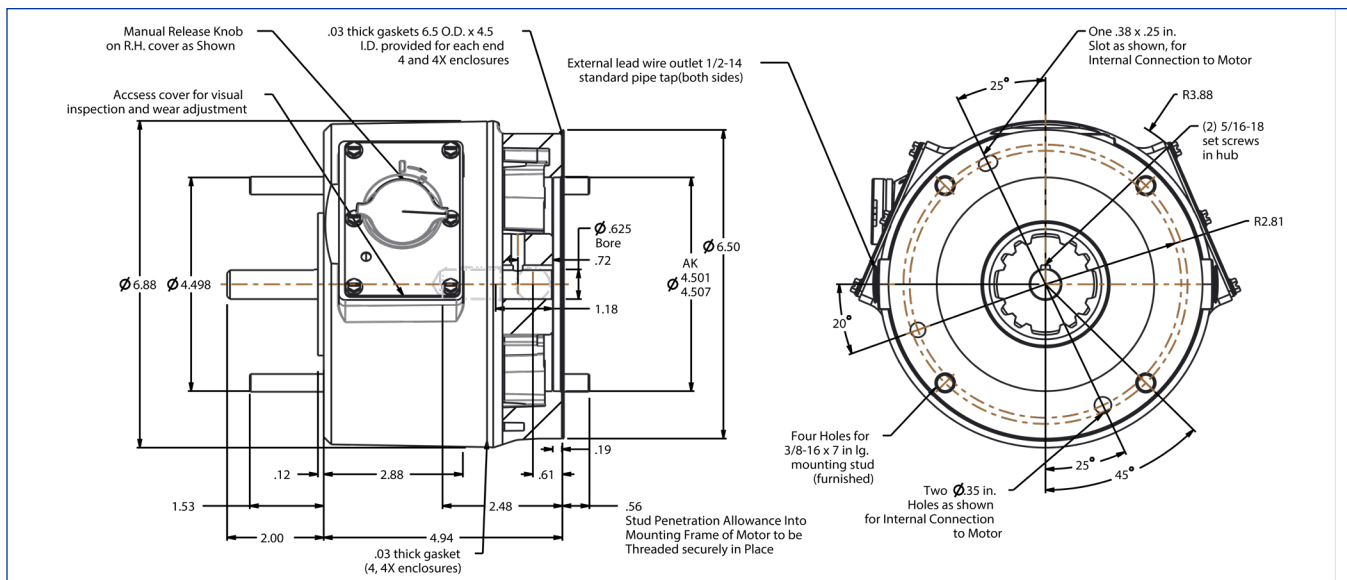


Suitable for Use with our Full-Line of Fractional HP Motors:

- General Purpose Motors: Page 3-4
- Stainless Steel Motors: Page 9-10
- Permanent Magnet DC Motors: Page 11
- Fractional Farm Duty Motors: Page 13

Single-Phase Input	Brand	Description	Voltage	List Price
230/460 Volt				
S-105670205 QF	Stearns	1.5 lb-ft, 56C, IP54	230/460	\$1,313.66
S-105671205 QF	Stearns	3 lb-ft, 56C, IP54	230/460	\$1,239.33
S-105672205 QF	Stearns	6 lb-ft, 56C, IP54	230/460	\$1,365.69
S-105673205 QF	Stearns	10 lb-ft, 56C, IP54	230/460	\$1,555.20
115/230 Volt				
S-105670205 PF	Stearns	1.5 lb-ft, 56C, IP54	115/230	\$1,200.34
S-105671205 PF	Stearns	3 lb-ft, 56C, IP54	115/230	\$1,239.33
S-105672205 PF	Stearns	6 lb-ft, 56C, IP54	115/230	\$1,352.69
S-105673205 PF	Stearns	10 lb-ft, 56C, IP54	115/230	\$1,570.08

Dimensions



Jet Pump Motors ODP Enclosure ▪ C-Face with Removable Base and Round Body

1
WORLDWIDE
Fractional HP

Product Specifications

- 3600 RPM
- Open Drip Proof (ODP) Enclosure
- IP23 Protection
- Class F Insulation
- C-Face with Removable Base (CB / JB) and C-Face Round Body Footless (CRD / JRD)
- 56J - Threaded Shaft, ODE Shaft Supplied with Slot for Installation
- 56C - Keyed Shaft
- 304 Stainless Steel Shaft End
- Vacuum Pressure Impregnation (VPI) System
- Anti-Rust Film Applied to Rotor
- Drive-End Shaft Slinger
- Double Shielded Ball Bearings

Single-Phase

- 1/3 - 3 HP
- 115/230 Volt, Usable at 208 Volt
- Capacitor Start / Capacitor Run
- Automatic Thermal Overload Protection
- Terminal Board with Spade Connectors
- Premium Efficiency in Accordance with NEMA Table 12-20

Three-Phase

- 1/3 - 5 HP
- 230/460 Volt, Usable at 208 Volt (Preconfigured for 460 Volt from Factory)
- Stud Terminals for Use with Ring or Fork Terminals
- Supplied with Terminal Plug in Terminal Box for Switching from 230 to 460 Volt and Vice-Versa
- Premium Efficiency in Accordance with NEMA Table 12-20 and 12-21



HP	RPM	Voltage	Frame	Model Number	List Price	FL Amps (A)	FL Eff. (%)	Approx. Wt. (lbs.)	Service Factor
Single-Phase ▪ 115/230 Volt ▪ C-Face Removable Base									
1/3	3600	115/230	56C	OJ13-36-56CB	\$404.64	1.584	70.5	23.8	1.75
	3600	115/230	56J	OJ13-36-56JB	\$404.64	1.6	70.5	23.8	1.75
1/2	3600	115/230	56C	OJ12-36-56CB	\$434.59	2.4	72.4	25	1.6
	3600	115/230	56J	OJ12-36-56JB	\$434.59	2.4	72.4	25	1.6
3/4	3600	115/230	56C	OJ34-36-56CB	\$456.66	3.2	76.2	26.6	1.5
	3600	115/230	56J	OJ34-36-56JB	\$456.66	3.2	76.2	26.6	1.5
1	3600	115/230	56C	OJ1-36-56CB	\$494.06	4.1	80.4	30.2	1.4
	3600	115/230	56J	OJ1-36-56JB	\$494.06	4.1	80.4	30.2	1.4
1.5	3600	115/230	56C	OJ1.5-36-56CB	\$554.51	6.7	81.5	33.1	1.3
	3600	115/230	56J	OJ1.5-36-56JB	\$554.51	6.7	81.5	33.1	1.3
2	3600	115/230	56C	OJ2-36-56CB	\$607.07	8.1	82.9	37.8	1.2
	3600	115/230	56J	OJ2-36-56JB	\$607.07	8.1	82.9	37.8	1.2
3	3600	115/230	56C	OJ3-36-56CB	\$708.48	11.4	84.1	46.8	1.15
	3600	115/230	56J	OJ3-36-56JB	\$708.48	11.4	84.1	46.8	1.15
Single-Phase ▪ 115/230 Volt ▪ C-Face ▪ Round Body (Footless)									
1/3	3600	115/230	56C	OJ13-36-56CRD	\$385.37	1.6	70.5	21.6	1.75
	3600	115/230	56J	OJ13-36-56JRD	\$385.37	1.6	70.5	21.6	1.75
1/2	3600	115/230	56C	OJ12-36-56CRD	\$413.89	2.4	72.4	22.8	1.6
	3600	115/230	56J	OJ12-36-56JRD	\$413.89	2.4	72.4	22.8	1.6
3/4	3600	115/230	56C	OJ34-36-56CRD	\$434.92	3.2	76.2	24.4	1.5
	3600	115/230	56J	OJ34-36-56JRD	\$434.92	3.2	76.2	24.4	1.5
1	3600	115/230	56C	OJ1-36-56CRD	\$470.51	4.1	80.4	28	1.4
	3600	115/230	56J	OJ1-36-56JRD	\$470.51	4.1	80.4	28	1.4
1.5	3600	115/230	56C	OJ1.5-36-56CRD	\$528.11	6.7	81.5	30.9	1.3
	3600	115/230	56J	OJ1.5-36-56JRD	\$528.11	6.7	81.5	30.9	1.3
2	3600	115/230	56C	OJ2-36-56CRD	\$578.16	8.1	82.9	35.6	1.2
	3600	115/230	56J	OJ2-36-56JRD	\$578.16	8.1	82.9	35.6	1.2
3	3600	115/230	56C	OJ3-36-56CRD	\$674.80	11.4	84.1	44.6	1.15
	3600	115/230	56J	OJ3-36-56JRD	\$674.80	11.4	84.1	44.6	1.15

Section 1: WORLDWIDE Fractional HP Motors



HP	RPM	Voltage	Frame	Model Number	List Price	FL Amps (A)	FL Eff. (%)	Approx. Wt. (lbs.)	Service Factor
Three-Phase ▪ 230/460 Volt ▪ C-Face Removable Base									
1/3	3600	230/460	56C	ODPJ13-36-56CB	\$396.65	0.6	69.5	20.5	1.75
	3600	230/460	56j	ODPJ13-36-56JB	\$396.65	0.6	69.5	20.5	1.75
1/2	3600	230/460	56C	ODPJ12-36-56CB	\$438.92	0.9	73.4	21.6	1.6
	3600	230/460	56j	ODPJ12-36-56JB	\$438.92	0.9	73.4	21.6	1.6
3/4	3600	230/460	56C	ODPJ34-36-56CB	\$479.87	1.0	76.8	23.6	1.5
	3600	230/460	56j	ODPJ34-36-56JB	\$479.87	1.0	76.8	23.6	1.5
1	3600	230/460	56C	ODPJ1-36-56CB	\$505.66	1.4	77.0	27.5	1.4
	3600	230/460	56j	ODPJ1-36-56JB	\$505.66	1.4	77.0	27.5	1.4
1.5	3600	230/460	56C	ODPJ1.5-36-56CB	\$582.32	2.0	84.0	30.5	1.3
	3600	230/460	56j	ODPJ1.5-36-56JB	\$582.32	2.0	84.0	30.5	1.3
2	3600	230/460	56C	ODPJ2-36-56CB	\$607.29	2.5	85.5	34.2	1.2
	3600	230/460	56j	ODPJ2-36-56JB	\$607.29	2.5	85.5	34.2	1.2
3	3600	230/460	56C	ODPJ3-36-56CB	\$679.51	3.7	85.5	40.1	1.15
	3600	230/460	56j	ODPJ3-36-56JB	\$679.51	3.7	85.5	40.1	1.15
5	3600	230/460	56C	ODPJ5-36-56CB	\$784.48	5.8	86.5	51.7	1.15
	3600	230/460	56j	ODPJ5-36-56JB	\$784.48	5.8	86.5	51.7	1.15
Three-Phase ▪ 230/460 Volt ▪ C-Face ▪ Round Body (Footless)									
1/3	3600	230/460	56C	ODPJ13-36-56CRD	\$377.81	0.6	69.5	18.3	1.75
	3600	230/460	56j	ODPJ13-36-56JRD	\$377.81	0.6	69.5	18.3	1.75
1/2	3600	230/460	56C	ODPJ12-36-56CRD	\$418.00	0.9	73.4	19.4	1.6
	3600	230/460	56j	ODPJ12-36-56JRD	\$418.00	0.9	73.4	19.4	1.6
3/4	3600	230/460	56C	ODPJ34-36-56CRD	\$456.99	1.0	76.8	21.4	1.5
	3600	230/460	56j	ODPJ34-36-56JRD	\$456.99	1.0	76.8	21.4	1.5
1	3600	230/460	56C	ODPJ1-36-56CRD	\$510.48	1.4	77.0	25.3	1.4
	3600	230/460	56j	ODPJ1-36-56JRD	\$510.48	1.4	77.0	25.3	1.4
1.5	3600	230/460	56C	ODPJ1.5-36-56CRD	\$554.56	2.0	84.0	28.3	1.3
	3600	230/460	56j	ODPJ1.5-36-56JRD	\$554.56	2.0	84.0	28.3	1.3
2	3600	230/460	56C	ODPJ2-36-56CRD	\$578.38	2.5	85.5	32	1.2
	3600	230/460	56j	ODPJ2-36-56JRD	\$578.38	2.5	85.5	32	1.2
3	3600	230/460	56C	ODPJ3-36-56CRD	\$647.15	3.7	85.5	37.9	1.15
	3600	230/460	56j	ODPJ3-36-56JRD	\$647.15	3.7	85.5	37.9	1.15
5	3600	230/460	56C	ODPJ5-36-56CRD	\$747.08	5.8	86.5	49.5	1.15
	3600	230/460	56j	ODPJ5-36-56JRD	\$747.08	5.8	86.5	49.5	1.15

1
WORLDWIDE
Fractional HP

When using any motor with a variable frequency drive, take precautions to eliminate or reduce shaft currents in order to prolong bearing life.

Jet Pump Motors TEFC Enclosure • C-Face with Removable Base

1
WORLDWIDE
Fractional HP

Product Specifications

- 1/3 - 3 HP
- 3600 RPM
- Totally Enclosed Fan Cooled (TEFC) Enclosure
- IP43 Protection
- 1.15 SF
- Class F Insulation
- C-Face with Removable Base
- 56J - Threaded Shaft
- 56C - Keyed Shaft
- Vacuum Pressure Impregnation (VPI) System
- Anti-Rust Film Applied to Rotor
- Improved Shaft Seal on Drive-End Protects Drive-End Bearing from Moisture and Contaminants
- Inverter rated, 4:1 CT / 10:1 VT

Single-Phase

- 115/230 Volt
- Capacitor Start / Induction Run (1/3 - 1 HP)
- Capacitor Start / Capacitor Run (1.5 - 2 HP) for Reduced Amperage and High Torque

Three-Phase

- 230/460 Volt
- Premium Efficiency (1-3 HP)
- Suitable for 50 Hz at 1.0 SF (Derate in HP)



**NEMA[®]
Premium**

**Only the NATJE models meet the NEMA Premium Efficiency specifications.*

HP	RPM	Voltage	Frame	Model Number	List Price	FL Amps (A)	FL Eff. (%)	Approx. Wt. (lbs.)	Notes
Single-Phase • 115/230 Volt									
1/3	3600	115/230	56C	NTJ13-36-56CB	\$346.89	2.5	58.0	20	
	3600	115/230	56J	NTJ13-36-56JB	\$355.13	2.5	58.0	20	
1/2	3600	115/230	56C	NTJ12-36-56CB	\$361.99	3.3	61.0	21	
	3600	115/230	56J	NTJ12-36-56JB	\$370.17	3.3	61.0	21	
3/4	3600	115/230	56C	NTJ34-36-56CB	\$393.02	4.5	64.0	26	
	3600	115/230	56J	NTJ34-36-56JB	\$401.13	4.5	64.0	26	
1	3600	115/230	56C	NTJ1-36-56CB	\$416.44	5.7	69.0	29	
	3600	115/230	56J	NTJ1-36-56JB	\$424.64	5.7	69.0	29	
1.5	3600	115/230	56C	NTJ1.5-36-56CB	\$503.90	6.5	72.0	31	
	3600	115/230	56J	NTJ1.5-36-56JB	\$512.02	6.5	72.0	31	
2	3600	115/230	56C	NTJ2-36-56CB	\$546.23	8.6	75.0	37	
	3600	115/230	56J	NTJ2-36-56JB	\$554.37	8.6	75.0	37	
Three-Phase • 230/460 Volt									
1/3	3600	230/460	56C	NATJ13-36-56CB	\$307.60	0.65	57.0	18	
	3600	230/460	56J	NATJ13-36-56JB	\$316.71	0.65	57.0	18	
1/2	3600	230/460	56C	NATJ12-36-56CB	\$317.99	0.85	62.0	19	
	3600	230/460	56J	NATJ12-36-56JB	\$327.01	0.85	62.0	19	
3/4	3600	230/460	56C	NATJ34-36-56CB	\$349.15	1.2	67.0	22	
	3600	230/460	56J	NATJ34-36-56JB	\$358.17	1.2	67.0	22	
1	3600	230/460	56C	NATJE1-36-56CB	\$380.01	1.5	77.0	23	P
	3600	230/460	56J	NATJE1-36-56JB	\$389.04	1.5	77.0	23	P
1.5	3600	230/460	56C	NATJE1.5-36-56CB	\$482.08	1.98	84.0	31	P
	3600	230/460	56J	NATJE1.5-36-56JB	\$491.17	1.98	84.0	31	P
2	3600	230/460	56C	NATJE2-36-56CB	\$505.02	2.61	85.5	34	P
	3600	230/460	56J	NATJE2-36-56JB	\$514.03	2.61	85.5	34	P
3	3600	230/460	56J	NATJE3-36-56JB	\$655.29	3.69	86.5	39	P

P NATJE models are premium efficiency

When using any motor with a variable frequency drive, take precautions to eliminate or reduce shaft currents in order to prolong bearing life.

Stainless Steel / Washdown Duty Motors

TENV Enclosure ▪ C-Face with Feet and Round Body ▪ Three-Phase ▪ 230/460 Volt

Product Specifications

- 1/3 - 3/4 HP
- 1800 RPM
- 230/460 Volt
- Totally Enclosed Non-Ventilated (TENV) Enclosure
- IP56 Protection
- 1.15 SF
- Class F Insulation
- C-Face with Feet and Round Body (Footless)
- 304 Stainless Steel Frame, End Bracket and Junction Box
- Stainless Steel Shaft
- Anti-Rust Film Applied to Rotor
- Double Lip Seals with an Additional Shaft Slinger on the Drive-End
- O-Ring Installed on Endbells to Prevent Moisture Intrusion
- Stainless Steel Cord Connector Included



1

WORLDWIDE
Fractional HP

HP	RPM	Voltage	Frame	Model Number	List Price	FL Amps (A)	FL Eff. (%)	Approx. Wt. (lbs.)	Notes
C-Face with Feet									
1/3	1800	230/460	56C	WSSNV13-18-56CB	\$582.23	0.7	82.5	28	
1/2	1800	230/460	56C	WSSNV12-18-56CB	\$606.83	0.8	82.5	31	
3/4	1800	230/460	56C	WSSNV34-18-56CB	\$647.46	1.2	82.5	33	
Round Body									
1/3	1800	230/460	56C	WSSNV13-18-56CRD	\$553.12	0.7	82.5	28	
1/2	1800	230/460	56C	WSSNV12-18-56CRD	\$576.49	0.8	82.5	31	
3/4	1800	230/460	56C	WSSNV34-18-56CRD	\$615.08	1.2	82.5	33	

When using any motor with a variable frequency drive, take precautions to eliminate or reduce shaft currents in order to prolong bearing life.

Stainless Steel / Washdown Duty Motors

TEFC Enclosure • C-Face with Feet and Round Body • Three-Phase • 230/460 Volt

1

WORLDWIDE
Fractional HP

Product Specifications

- 1/3 - 2 HP
- 3600 and 1800 RPM
- 230/460 Volt
- Totally Enclosed Fan Cooled (TEFC) Enclosure
- IP56 Protection
- 1.15 SF
- Class F Insulation
- Premium Efficiency (1-2 HP)
- C-Face with Feet and Round Body (Footless)
- 304 Stainless Steel Frame, End Bracket and Junction Box
- Stainless Steel Shaft
- Anti-Rust Film Applied to Rotor
- Double Lip Seals on Both Ends of the Motor with an Additional Shaft Slinger on the Drive-End
- O-Ring Installed on Endbells to Prevent Moisture Intrusion
- Stainless Steel Cord Connector Included



NEMA[®]
Premium

**Only the NAW SSE models meet the NEMA Premium Efficiency specifications.*

HP	RPM	Voltage	Frame	Model Number	List Price	FL Amps (A)	FL Eff. (%)	Approx. Wt. (lbs.)	Notes
C-Face with Feet									
1/3	1800	230/460	56C	WSS13-18-56CB	\$547.30	0.7	82.5	28	
1/2	3600	230/460	56C	WSS12-36-56CB	\$564.38	0.9	77.0	29	
	1800	230/460	56C	NAWSS12-18-56C	\$935.63	0.8	82.5	31	
3/4	3600	230/460	56C	WSS34-36-56CB	\$584.50	1.2	73.0	33	
	1800	230/460	56C	NAWSS34-18-56C	\$962.58	1.2	82.5	33	
1	1800	230/460	56C	NAWSSE1-18-56C	\$1,137.62	1.56	85.5	44	P
1.5	1800	230/460	56C	NAWSSE1.5-18-56C	\$1,259.73	2.27	86.5	58	P
2	1800	230/460	56C	NAWSSE2-18-56C	\$1,310.06	2.97	86.5	64	P
Round Body									
1/3	1800	230/460	56C	WSS13-18-56CRD	\$519.94	0.7	82.5	28	
1/2	1800	230/460	56C	WSS12-18-56CRD	\$541.90	0.8	82.5	31	
3/4	1800	230/460	56C	WSS34-18-56CRD	\$578.18	1.2	82.5	33	
1	1800	230/460	56C	NAWSSE1-18-56CRD	\$1,186.27	1.56	85.5	44	P
1.5	1800	230/460	56C	NAWSSE1.5-18-56CRD	\$1,316.95	2.27	86.5	58	P
2	1800	230/460	56C	NAWSSE2-18-56CRD	\$1,370.74	2.97	86.5	64	P

P NAW SSE models are premium efficiency

When using any motor with a variable frequency drive, take precautions to eliminate or reduce shaft currents in order to prolong bearing life.

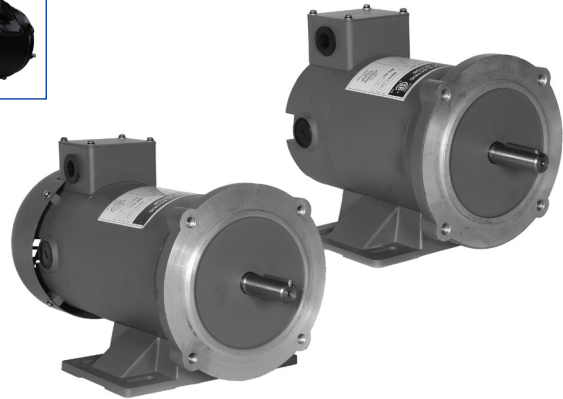
Permanent Magnet DC Motors

TENV / TEFC Enclosure ▪ C-Face with Removable Base ▪ 90, 180, 12 and 24 Volt

Product Specifications

- 1/4 - 2 HP
- 1800 RPM
- 90, 180, 12 and 24 Volt
- Totally Enclosed Non-Ventilated (TENV) Enclosure (1/4 - 1/2 HP)
- Totally Enclosed Fan Cooled (TEFC) Enclosure (3/4 - 2 HP)
- IP54 Protection
- 1.0 SF
- Class F Insulation
- C-Face with Removable Base
- 20:1 Speed Range at Constant Torque
- High Starting Torque
- 12 Volt and 24 Volt Models Used in Applications Where Low Voltage DC Power is Supplied by Batteries or Generators

Suitable for Use with
Stearns Coupler Brakes
Found on Page 5



1

WORLDWIDE
Fractional HP

HP	RPM	Voltage	Frame	Model Number	List Price	FL Amps (A)	FL Eff. (%)	Approx. Wt. (lbs.)	Notes
90 Volt and 180 Volt									
1/4	1800	90	56C	WPMDC14-18-90V-56CB	\$393.20	2.9	80.0	17	X
1/3	1800	90	56C	WPMDC13-18-90V-56CB	\$420.33	3.5	82.0	19	X
	1800	180	56C	WPMDC13-18-180V-56CB	\$415.81	1.8	82.0	19	X
1/2	1800	90	56C	WPMDC12-18-90V-56CB	\$537.83	5.2	82.0	22	X
	1800	180	56C	WPMDC12-18-180V-56CB	\$533.38	2.6	82.0	22	X
3/4	1800	90	56C	WPMDC34-18-90V-56CB	\$611.10	7.8	82.0	28	X
	1800	180	56C	WPMDC34-18-180V-56CB	\$605.64	3.9	82.0	28	X
1	1800	90	56C	WPMDC1-18-90V-56CB	\$683.37	10.4	82.0	32	X
	1800	180	56C	WPMDC1-18-180V-56CB	\$678.00	5.2	82.0	32	X
1.5	1800	90	56C	WPMDC1.5-18-90V-56CB	\$738.45	15.4	83.0	38	X
	1800	180	56C	WPMDC1.5-18-180V-56CB	\$732.14	7.7	83.0	38	X
2	1800	180	145TC	WPMDC1.5-18-180V-145TCB	\$1,095.55	7.7	80.0	47	X
	1800	180	56C	WPMDC2-18-180V-56CB	\$1,171.45	9.8	85.0	65	X
	1800	180	145TC	WPMDC2-18-180V-145TCB	\$1,534.87	9.8	80.0	65	X
12 Volt and 24 Volt									
1/3	1800	12	56C	WPMDC13-18-12V-56CB	\$501.72	26.4	78.0	19	
	1800	24	56C	WPMDC13-18-24V-56CB	\$497.22	13.2	78.0	19	
1/2	1800	12	56C	WPMDC12-18-12V-56CB	\$592.13	40.0	78.0	22	
	1800	24	56C	WPMDC12-18-24V-56CB	\$588.46	20.0	78.0	22	
3/4	1800	12	56C	WPMDC34-18-12V-56CB	\$670.71	61.2	75.0	28	
	1800	24	56C	WPMDC34-18-24V-56CB	\$667.04	30.6	75.0	28	
1	3600	12	56C	WPMDC1-36-12V-56CB	\$740.31	82.2	75.0	26	
	1800	12	56C	WPMDC1-18-12V-56CB	\$746.64	82.2	75.0	33	
1.5	1800	24	56C	WPMDC1-18-24V-56CB	\$742.98	41.1	75.0	33	
	1800	24	56C	WPMDC1.5-18-24V-56CB	\$824.39	62.5	76.0	39	

X Extra set of brushes and brush springs included

Permanent Magnet DC Motors Variable Speed DC Controls

1

WORLDWIDE
Fractional HP

Product Specifications

- Dual Voltage - 120/240 VAC, 50/60 Hz
- Adjustable Horsepower Settings
- Barrier Terminal Strip
- Packaged Bridge Supply (Fullwave)
- 1% Speed Regulation with Armature Voltage Feedback; ± 1/2% with Tach Feedback
- Adjustable Minimum Speed (0-30% of max.)
- Adjustable Maximum Speed (66-110% of base)
- Adjustable IR Compensation
- Adjustable Linear Acceleration (0.5-8 sec.)
- Adjustable Current Limit to 15 Amps
- Line Voltage Compensation
- 5K Ohm Speed Potentiometer with Leads, Knob and Dial Included
- Power On / Off Switch
- 50:1 Speed Range
- Overload Capacity: 150% for One Minute
- Transient Voltage Protection
- Voltage Following Mode or DC Tachometer Follower by Supplying Underground Analog Input Signal (0-12 VDC)
- DC Tachometer Feedback (6 V at Base Speed)
- Inhibit Circuit - Permits Start and Stop Without Breaking AC Lines
- Remote Start/Stop via Pot Circuit or Inhibit Circuit
- Shunt Field Supply Provided (1 Amp Max.; 100 V for 120 VAC; 200 V for 240 VAC Input)
- AC Line Fuse
- Rated NEMA 4/12 with Threaded Conduit Holes



Single-Phase Input	Output	HP Range	Model Number	List Price
Non-Reversing (ON / OFF)				
120 VAC	0-90 VDC	1/8 - 1.0	WDCCONT	\$585.29
240 VAC	0-180 VDC	1/4 - 2.0	WDCCONT	\$585.29
Reversing (FORWARD / OFF / REVERSE)				
120 VAC	0-90 VDC	1/8 - 1.0	WDCCONTREV	\$888.44
240 VAC	0-180 VDC	1/4 - 2.0	WDCCONTREV	\$888.44

Fractional Farm Duty Motors

TEFC Enclosure • Rigid Base • Single-Phase • 115/230 Volt

Product Specifications

- 1/3-2 HP
- 1800 RPM
- 115/230 Volt
- Totally Enclosed Fan Cooled (TEFC) Enclosure
- IP54 Protection
- High Torque
- 1.15 SF
- Class F Insulation
- Rigid Base
- 56H Frame Motors Have Double Punched Feet
- Vacuum Pressure Impregnation (VPI) System
- Anti-Rust Film Applied to Rotor
- Capacitor Start / Induction Run (1/3-1 HP)
- Capacitor Start / Capacitor Run (1.5-2 HP) for Reduced Amperage and High Torque
- With Manual Overload
- Improved Shaft Seal on Drive-End Protects Drive-End Bearing from Moisture and Contaminants

Suitable for Use with Stearns Coupler Brakes Found on Page 5



HP	RPM	Voltage	Frame	Model Number	List Price	FL Amps (A)	FL Eff. (%)	Approx. Wt. (lbs.)	Notes
Rigid Base									
1/3	1800	115/230	56	FM13-18-56	\$412.25	5.2	63.0	22	
1/2	1800	115/230	56	FM12-18-56	\$424.38	7.2	64.5	25	
3/4	1800	115/230	56	FM34-18-56	\$496.69	10.0	67.0	29	
1	1800	115/230	56	FM1-18-56	\$518.66	13.0	70.0	36	
1.5	1800	115/230	56H	FM1.5-18-56H	\$615.37	14.5	77.0	37	H
2	1800	115/230	56HZ	FM2-18-56HZ	\$742.83	19.6	79.0	45	H Z
C-Face									
1/3	1800	115/230	56C	FM13-18-56C	\$472.96	5.2	63.0	22	
1/2	1800	115/230	56C	FM12-18-56C	\$485.82	7.2	64.5	25	
3/4	1800	115/230	56C	FM34-18-56C	\$568.24	10.0	67.0	29	
1	1800	115/230	56C	FM1-18-56C	\$592.59	13.0	70.0	36	
1.5	1800	115/230	56HC	FM1.5-18-56HC	\$701.59	14.5	77.0	37	H
2	1800	115/230	56HZC	FM2-18-56HZC	\$845.16	19.6	79.0	45	H Z

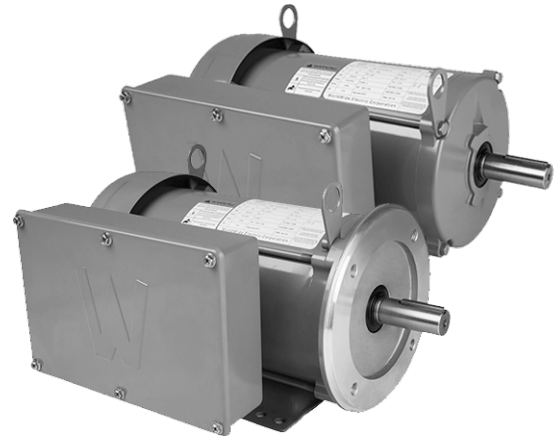
H Suitable for mounting in either 56, 143T or 145T mounting dimensions
 Z Motor has 7/8" diameter shaft

Integral Farm Duty Motors

TEFC Enclosure ▪ Rigid Base and C-Face ▪ Single-Phase ▪ 230 Volt

Product Specifications

- 2-10 HP
- 1800 RPM
- 230 Volt
- Totally Enclosed Fan Cooled (TEFC) Enclosure
- IP55 Protection
- 1.15 SF
- Class F Insulation
- Rigid Base and C-Face with Feet
- Dual-Drilled Feet
- With Manual Overload
- Capacitor Start / Capacitor Run for Reduced Amperage and High Torque
- Shaft Seals on Both Ends of the Motor
- Cast Aluminum Endbells



2

WORLDWIDE
Farm Duty

HP	RPM	Voltage	Frame	Model Number	List Price	FL Amps (A)	FL Eff. (%)	Approx. Wt. (lbs.)	Notes
Rigid Base									
2	1800	230	145T	FD2-18-145T	\$679.90	7.8	85.6	54	
	1800	230	182T	FD2-18-182T	\$754.04	8.5	84.0	54	
3	1800	230	184T	FD3-18-184T	\$897.24	12.5	84.4	76	
5	1800	230	184T	FD5-18-184T	\$1,057.97	20.2	86.4	101	
7.5	1800	230	215T	FD7.5-18-215T	\$1,628.74	28.7	86.6	134	
	1800	230	215TZ	FD7.5-18-215TZ	\$1,628.74	28.7	86.6	134	Z
10	1800	230	215T	FD10-18-215T	\$1,898.38	38.8	87.5	149	
C-Face									
2	1800	230	145TC	FD2-18-182TC	\$853.00	8.5	84.0	54	
3	1800	230	184TC	FD3-18-184TC	\$934.63	12.5	84.4	76	
5	1800	230	184TC	FD5-18-184TC	\$1,102.06	20.2	86.4	101	
7.5	1800	230	215TC	FD7.5-18-215TC	\$1,696.60	28.7	86.6	134	
10	1800	230	215TC	FD10-18-215TC	\$1,977.47	38.8	87.5	149	

FD Motor C-Flange Kits

Frame Size	Model Number	List Price
145T	FD140TC	\$130.14
182T / 184T	FD180TC	\$168.44
215T	FD210TC	\$232.59

Z Motor has 1-1/8" diameter shaft

Section 3: WORLDWIDE Premium Efficient Stainless Steel Motors



Premium Efficient Stainless Steel Motors TEFC Enclosure • C-Face • Three-Phase • 230/460 Volt

Product Specifications

- 1/3-20 HP, 3600 and 1800 RPM
- 1/2-5 HP, 1200 RPM
- 230/460 volt, 60 Hz
- Totally Enclosed Fan Cooled (TEFC) Enclosure
- IP69K Protection
- BISSC Certified
- 1.15 SF
- Class F Insulation with Class B Temperature Rise
- C-Face with Feet and Round Body (Footless)
- Premium Efficiency (EISA Compliant)
- Suitable for 50 Hz, 190/380V, 1.15 SF (Derate in HP)
- NEMA Design B
- Continuous Duty
- 304 Stainless Steel Frame, End Bracket, Junction Box, and Hardware
- Stainless Steel Shaft and Key
- F1 Junction Box Location
- Lip Seal on DE and ODE
- Round Welded Junction Box with Epoxy Potted Leads
- Double Sealed Bearings Pre-Packed with Mobil Polyrex EM Grease
- Inverter Duty – 10:1 Constant Torque (CT) / 20:1 Variable Torque (VT)
- CSA Class 1 Division 2 Groups A, B, C, D – Temperature Code T2B
- Ambient -20°C to +40°C, Altitude up to 3300 Feet Above Sea Level (FASL)
- Bi-directional Rotation
- In Accordance with NEMA, CSA, UL, and CE



3
WORLDWIDE
PE Stainless Steel

HP	RPM	Voltage	Frame	Model Number	List Price	FL Amps (A)	FL Eff. (%)	Approx. Wt. (lbs.)	Notes
C-Face with Feet									
1/3	3600	230/460	56C	SSPE13-36-56C	\$865.43	0.55	72.0	26	
	1800	230/460	56C	SSPE13-18-56C	\$898.37	0.6	74.0	28	
1/2	3600	230/460	56C	SSPE12-36-56C	\$893.80	0.75	74.0	29	
	1800	230/460	56C	SSPE12-18-56C	\$918.23	0.8	78.5	30	
	1200	230/460	56C	SSPE12-12-56C	\$1,046.62	0.9	75.5	30	
	3600	230/460	56C	SSPE34-36-56C	\$1,028.60	1.1	77.0	33	
3/4	1800	230/460	56C	SSPE34-18-56C	\$993.12	1.2	81.5	33	
	1200	230/460	56C	SSPE34-12-56C	\$1,133.82	1.85	81.5	35	
	1200	230/460	143TC	SSPE34-12-143TC	\$1,191.75	1.85	81.5	35	
1	3600	230/460	56C	SSPE1-36-56C	\$1,135.00	1.4	77.0	35	
	3600	230/460	143TC	SSPE1-36-143TC	\$1,183.55	1.4	80.0	39	
	1800	230/460	56C	SSPE1-18-56C	\$1,135.00	1.45	85.5	36	
	1800	230/460	143TC	SSPE1-18-143TC	\$1,170.46	1.45	85.5	36	
	1200	230/460	145TC	SSPE1-12-145TC	\$1,342.61	2.0	82.5	42	
1.5	3600	230/460	56C	SSPE1.5-36-56C	\$1,241.39	2.0	84.0	39	
	3600	230/460	143TC	SSPE1.5-36-143TC	\$1,276.87	2.0	84.0	39	
	1800	230/460	56C	SSPE1.5-18-56C	\$1,276.87	2.0	86.5	42	
	1800	230/460	145TC	SSPE1.5-18-145TC	\$1,312.33	2.0	86.5	42	
	1200	230/460	182TC	SSPE1.5-12-182TC	\$2,279.87	2.45	87.5	82	
2	3600	230/460	56C	SSPE2-36-56C	\$1,347.80	2.4	85.5	46	
	3600	230/460	145TC	SSPE2-36-145TC	\$1,390.37	2.4	85.5	46	
	1800	230/460	56C	SSPE2-18-56C	\$1,383.28	3.0	86.5	51	
	1800	230/460	145TC	SSPE2-18-145TC	\$1,418.74	3.0	86.5	51	
	1200	230/460	184TC	SSPE2-12-184TC	\$2,483.83	3.05	88.5	98	
3	3600	230/460	145TC	SSPE3-36-145TC	\$2,283.23	3.6	86.5	60	
	3600	230/460	182TC	SSPE3-36-182TC	\$2,763.00	4.05	86.5	81	
	1800	230/460	145TC	SSPE3-18-145TC	\$2,543.51	4.1	89.5	65	
	1800	230/460	182TC	SSPE3-18-182TC	\$2,796.70	4.0	89.5	81	
	1200	230/460	213TC	SSPE3-12-213TC	\$3,887.27	4.6	89.5	170	
5	3600	230/460	184TC	SSPE5-36-184TC	\$3,032.57	6.1	88.5	95	
	1800	230/460	184TC	SSPE5-18-184TC	\$3,133.65	6.25	89.5	100	
	1200	230/460	215TC	SSPE5-12-215TC	\$4,574.24	7.0	89.5	200	

Section 3: WORLDWIDE Premium Efficient Stainless Steel Motors



Premium Efficient Stainless Steel Motors (Continued)

TEFC Enclosure ▪ C-Face ▪ Three-Phase ▪ 230/460 Volt

3

WORLDWIDE
PE Stainless Steel

HP	RPM	Voltage	Frame	Model Number	List Price	FL Amps (A)	FL Eff. (%)	Approx. Wt. (lbs.)	Notes
7.5	3600	230/460	213TC	SSPE7.5-36-213TC	\$4,582.55	9.5	89.5	155	
	1800	230/460	213TC	SSPE7.5-18-213TC	\$4,447.76	9.3	91.7	180	
10	3600	230/460	215TC	SSPE10-36-215TC	\$4,852.09	12.2	90.2	170	
	1800	230/460	215TC	SSPE10-18-215TC	\$4,852.09	12.2	91.7	210	
15	3600	230/460	254TC	SSPE15-36-254TC	\$10,553.58	18.5	91.0	363	
	1800	230/460	254TC	SSPE15-18-254TC	\$10,553.58	18.5	92.4	370	
20	3600	230/460	256TC	SSPE20-36-256TC	\$11,513.02	23.0	91.0	422	
	1800	230/460	256TC	SSPE20-18-256TC	\$11,491.83	24.5	93.0	436	
C-Face Round Body (Footless)									
1/3	3600	230/460	56CRD	SSPE13-36-56CRD	\$829.97	0.55	74.0	25	
	1800	230/460	56CRD	SSPE13-18-56CRD	\$858.68	0.6	82.5	27	
1/2	3600	230/460	56CRD	SSPE12-36-56CRD	\$858.34	0.75	77.0	28	
	1800	230/460	56CRD	SSPE12-18-56CRD	\$882.55	0.8	82.5	29	
	1200	230/460	56CRD	SSPE12-12-56CRD	\$972.17	0.9	80.0	29	
3/4	3600	230/460	56CRD	SSPE34-36-56CRD	\$993.12	1.1	80.0	32	
	1800	230/460	56CRD	SSPE34-18-56CRD	\$950.57	1.2	82.5	32	
	1200	230/460	56CRD	SSPE34-12-56CRD	\$1,090.27	1.85	81.5	34	
	1200	230/460	143TCRD	SSPE34-12-143TCRD	\$1,149.18	1.85	81.5	34	
1	3600	230/460	56CRD	SSPE1-36-56CRD	\$1,099.53	1.4	80.0	34	
	3600	230/460	143TCRD	SSPE1-36-143TCRD	\$1,147.65	1.4	80.0	39	
	1800	230/460	56CRD	SSPE1-18-56CRD	\$1,092.43	1.45	85.5	35	
	1800	230/460	143TCRD	SSPE1-18-143TCRD	\$1,127.90	1.45	85.5	35	
	1200	230/460	145TCRD	SSPE1-12-145TCRD	\$1,296.37	2.0	82.5	41	
1.5	3600	230/460	56CRD	SSPE1.5-36-56CRD	\$1,205.95	2.0	84.0	38	
	3600	230/460	143TCRD	SSPE1.5-36-143TCRD	\$1,241.39	2.0	86.5	38	
	1800	230/460	56CRD	SSPE1.5-18-56CRD	\$1,234.31	2.0	86.5	41	
	1800	230/460	145TCRD	SSPE1.5-18-145TCRD	\$1,262.69	2.0	86.5	41	
	1200	230/460	182TCRD	SSPE1.5-12-182TCRD	\$2,189.52	2.45	87.5	81	
2	3600	230/460	56CRD	SSPE2-36-56CRD	\$1,305.24	2.4	85.5	45	
	3600	230/460	145TCRD	SSPE2-36-145TCRD	\$1,347.80	2.4	85.5	45	
	1800	230/460	56CRD	SSPE2-18-56CRD	\$1,340.72	3.0	86.5	50	
	1800	230/460	145TCRD	SSPE2-18-145TCRD	\$1,376.18	3.0	86.5	50	
	1200	230/460	184TCRD	SSPE2-12-184TCRD	\$2,393.49	3.05	88.5	97	
3	3600	230/460	145TCRD	SSPE3-36-145TCRD	\$1,970.18	3.6	86.5	60	
	3600	230/460	182TCRD	SSPE3-36-182TCRD	\$2,661.91	4.05	86.5	80	
	1800	230/460	145TCRD	SSPE3-18-145TCRD	\$2,207.73	4.1	89.5	65	
	1800	230/460	182TCRD	SSPE3-18-182TCRD	\$2,695.61	4.0	89.5	80	
	1200	230/460	213TCRD	SSPE3-12-213TCRD	\$3,749.76	4.6	89.5	169	
5	3600	230/460	184TCRD	SSPE5-36-184TCRD	\$2,931.48	6.1	88.5	94	
	1800	230/460	184TCRD	SSPE5-18-184TCRD	\$3,032.57	6.25	89.5	99	
	1200	230/460	215TCRD	SSPE5-12-215TCRD	\$4,442.26	7.0	89.5	199	
7.5	3600	230/460	213TCRD	SSPE7.5-36-213TCRD	\$4,447.76	9.5	89.5	154	
	1800	230/460	213TCRD	SSPE7.5-18-213TCRD	\$4,447.76	9.3	91.7	179	
10	3600	230/460	215TCRD	SSPE10-36-215TCRD	\$4,717.32	12.2	90.2	169	
	1800	230/460	215TCRD	SSPE10-18-215TCRD	\$4,717.32	12.2	91.7	209	
15	3600	230/460	254TCRD	SSPE15-36-254TCRD	\$10,073.87	18.5	91.0	361	
	1800	230/460	254TCRD	SSPE15-18-254TCRD	\$10,073.87	18.5	92.4	368	
20	3600	230/460	256TCRD	SSPE20-36-256TCRD	\$11,033.31	23.0	91.0	420	
	1800	230/460	256TCRD	SSPE20-18-256TCRD	\$11,033.31	24.5	93.0	434	

When using any motor with a variable frequency drive, take precautions to eliminate or reduce shaft currents in order to prolong bearing life.

Section 3: WORLDWIDE Premium Efficient Stainless Steel Motors



Premium Efficient Stainless Steel Motors

TENV Enclosure ▪ C-Face ▪ Three-Phase ▪ 230/460 Volt

Product Specifications

- 1/3-3 HP, 3600 and 1800 RPM
- 230/460 volt, 60 Hz
- Totally Enclosed Non-Ventillated (TENV) Enclosure
- IP69K Protection
- 1.15 SF
- Class F Insulation with Class B Temperature Rise
- C-Face with Feet and Round Body (Footless)
- Premium Efficiency (EISA Compliant), at 60 Hz, IE3 Premium Efficiency at 50 Hz
- Suitable for 50 Hz, 190/380V, with 1.15 SF (Derate in HP)
- NEMA Design B
- Continuous Duty
- 304 Stainless Steel Frame, End Bracket, Junction Box, and Hardware
- Stainless Steel Shaft and Key
- F1 Junction Box Location
- Lip Seal on DE and ODE
- Round Welded Junction Box with Epoxy Potted Leads
- Double Sealed Bearings Pre-Packed with Mobil Polyrex EM Grease
- Inverter Duty – 10:1 Constant Torque (CT) / 20:1 Variable Torque (VT)
- CSA Class 1 Division 2 Groups A, B, C, D – Temperature Code T2B
- Ambient -20°C to +40°C, Altitude up to 3300 Feet Above Sea Level (FASL)
- Bi-directional Rotation
- In Accordance with NEMA, CSA, UL, and CE



3
WORLDWIDE
PE Stainless Steel

HP	RPM	Voltage	Frame	Model Number	List Price	FL Amps (A)	FL Eff. (%)	Approx. Wt. (lbs.)	Notes
C-Face with Feet									
1/3	3600	230/460	56C	SSPENV13-36-56C	\$864.73	0.55	72.0	26	
	1800	230/460	56C	SSPENV13-18-56C	\$898.07	0.7	74.0	28	
1/2	3600	230/460	56C	SSPENV12-36-56C	\$893.59	0.75	74.0	29	
	1800	230/460	56C	SSPENV12-18-56C	\$918.14	0.8	78.5	30	
3/4	3600	230/460	56C	SSPENV34-36-56C	\$1,029.70	1.1	77.0	33	
	1800	230/460	56C	SSPENV34-18-56C	\$993.95	1.2	81.5	33	
1	3600	230/460	56C	SSPENV1-36-56C	\$1,244.86	1.4	80.0	39	
	3600	230/460	143TC	SSPENV1-36-143TC	\$1,280.59	1.4	80.0	39	
	1800	230/460	56C	SSPENV1-18-56C	\$1,280.80	1.55	85.5	42	
	1800	230/460	143TC	SSPENV1-18-143TC	\$1,316.69	1.55	85.5	42	
1.5	3600	230/460	56C	SSPENV1.5-36-56C	\$1,365.70	1.85	84.0	46	
	3600	230/460	143TC	SSPENV1.5-36-143TC	\$1,408.72	1.85	84.0	46	
	1800	230/460	56C	SSPENV1.5-18-56C	\$1,401.78	2.2	86.5	51	
	1800	230/460	145TC	SSPENV1.5-18-145TC	\$1,437.87	2.2	86.5	51	
2	3600	230/460	56C	SSPENV2-36-56C	\$2,151.24	2.5	85.5	60	
	3600	230/460	145TC	SSPENV2-36-145TC	\$2,179.01	2.5	85.5	60	
	1800	230/460	56C	SSPENV2-18-56C	\$2,401.08	2.7	86.5	65	
	1800	230/460	145TC	SSPENV2-18-145TC	\$2,428.83	2.7	86.5	65	
3	3600	230/460	182TC	SSPENV3-36-182TC	\$3,244.91	3.60	86.5	95	
	1800	230/460	182TC	SSPENV3-18-182TC	\$3,353.30	3.8	89.5	99	

Section 3: WORLDWIDE Premium Efficient Stainless Steel Motors



Premium Efficient Stainless Steel Motors (Continued)

TENV Enclosure ▪ C-Face ▪ Three-Phase ▪ 230/460 Volt

3

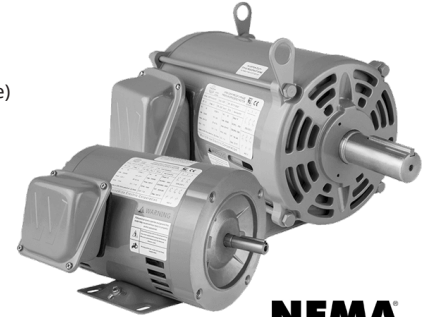
WORLDWIDE
PE Stainless Steel

HP	RPM	Voltage	Frame	Model Number	List Price	FL Amps (A)	FL Eff. (%)	Approx. Wt. (lbs.)	Notes
C-Face Round Body (Footless)									
1/3	3600	230/460	56CRD	SSPENV13-36-56CRD	\$830.36	0.55	72.0	26	
	1800	230/460	56CRD	SSPENV13-18-56CRD	\$863.70	0.7	74.0	28	
1/2	3600	230/460	56CRD	SSPENV12-36-56CRD	\$859.24	0.75	74.0	29	
	1800	230/460	56CRD	SSPENV12-18-56CRD	\$883.76	0.8	78.5	30	
3/4	3600	230/460	56CRD	SSPENV34-36-56CRD	\$995.33	1.1	77.0	33	
	1800	230/460	56CRD	SSPENV34-18-56CRD	\$959.60	1.2	81.5	33	
1	3600	230/460	56CRD	SSPENV1-36-56CRD	\$1,210.48	1.4	80.0	39	
	3600	230/460	143TCRD	SSPENV1-36-143TCRD	\$1,246.23	1.4	80.0	39	
	1800	230/460	56CRD	SSPENV1-18-56CRD	\$1,246.43	1.55	85.5	42	
	1800	230/460	143TCRD	SSPENV1-18-143TCRD	\$1,282.31	1.55	85.5	42	
1.5	3600	230/460	56CRD	SSPENV1.5-36-56CRD	\$1,331.00	1.9	84.0	46	
	3600	230/460	143TCRD	SSPENV1.5-36-143TCRD	\$1,374.03	1.9	84.0	46	
	1800	230/460	56CRD	SSPENV1.5-18-56CRD	\$1,367.09	2.2	86.5	51	
	1800	230/460	145TCRD	SSPENV1.5-18-145TCRD	\$1,403.17	2.2	86.5	51	
2	3600	230/460	56CRD	SSPENV2-36-56CRD	\$2,070.75	2.5	85.5	60	
	3600	230/460	145TCRD	SSPENV2-36-145TCRD	\$2,105.45	2.5	85.5	60	
	1800	230/460	56CRD	SSPENV2-18-56CRD	\$2,331.68	2.7	86.5	65	
	1800	230/460	145TCRD	SSPENV2-18-145TCRD	\$2,359.43	2.7	86.5	65	
3	3600	230/460	182TCRD	SSPENV3-36-182TCRD	\$3,140.82	3.6	86.5	95	
	1800	230/460	182TCRD	SSPENV3-18-182TCRD	\$3,249.21	3.8	89.5	99	

Open Drip (ODP) Proof Motors
 ODP Enclosure ▪ Rigid Base ▪ Three-Phase ▪ 230/460 Volt

Product Specifications

- 1/2-200 HP
- 3600, 1800, 1200 RPM
- 230/460 Volt, 60 Hz
- 190/380 Volt, 50 Hz
- Open Drip Proof (ODP) Enclosure
 - Rolled Steel Frame (56-324/6T)
 - Cast Iron Frame (364/5-444/5T)
- IP23 Protection
- 1.15 SF (1.0 SF at 50 Hz)
- Class F Insulation
- NEMA Premium Efficiency
- Rigid Base (Exception: 56 Frame has C-Face with Removable Base)
- Class B Temperature Rise
- Inverter Duty, 10:1 CT / 20:1 VT (1.0 SF)
- Inverter Grade Magnet Wire Meets or Exceeds NEMA MG-1 Part 31
- Pre-Drilled and Tapped Drive Endbells on 143T Frame and Up to Accept Inpro® Current Diverter Rings and WWE Grounding Rings; No Machining Required, Simple and Easy Installation
- 254T and larger are suitable for F1 to F2 conversion
- Exclusive Double Vacuum Pressure Impregnation (VPI) Insulation System
- Double Drilled Feet to Accommodate Mounting Flexibility (143T-445T)



HP	RPM	Voltage	Frame	Model Number	List Price	FL Amps (A)	FL Eff. (%)	Approx. Wt. (lbs.)	Notes
1/2	3600	230/460	56C	ODP12-36-56CB	\$393.00	0.73	73.4	22	1
	1800	230/460	56C	ODP12-18-56CB	\$425.25	0.95	78.2	27	1
3/4	3600	230/460	56C	ODP34-36-56CB	\$418.37	0.98	76.8	27	1
	1800	230/460	56C	ODP34-18-56CB	\$451.45	1.1	81.1	27	1
1	3600	230/460	143T	ODP1-36-143T	\$525.75	1.35	77.0	29	
	1800	230/460	143T	ODP1-18-143T	\$464.99	1.3	85.5	34	
	1800	230/460	143T	ODP1-18-143T-F2	\$464.99	1.3	85.5	34	F2
	1800	230/460	143T	ODP1-18-143T-GR	\$647.37	1.3	85.5	34	GR
	1200	230/460	145T	ODP1-12-145T	\$598.97	1.7	82.5	41	
1.5	3600	230/460	143T	ODP1.5-36-143T	\$614.73	1.9	84.0	32	
	1800	230/460	145T	ODP1.5-18-145T	\$578.48	2.1	86.5	35	
	1800	230/460	145T	ODP1.5-18-145T-F2	\$578.48	2.1	86.5	35	F2
	1800	230/460	145T	ODP1.5-18-145T-GR	\$760.85	2.1	86.5	35	GR
2	1200	230/460	182T	ODP1.5-12-182T	\$752.56	1.8	86.5	65	
	3600	230/460	145T	ODP2-36-145T	\$692.65	2.5	85.5	35	
	1800	230/460	145T	ODP2-18-145T	\$613.57	2.7	86.5	39	
	1800	230/460	145T	ODP2-18-145T-F2	\$613.57	2.7	86.5	39	F2
	1800	230/460	145T	ODP2-18-145T-GR	\$795.94	2.7	86.5	39	GR
3	1200	230/460	184T	ODP2-12-184T	\$927.31	3.5	87.5	76	
	3600	230/460	145T	ODP3-36-145T	\$740.85	3.6	85.5	40	
	1800	230/460	182T	ODP3-18-182T	\$738.78	3.8	89.5	69	
	1800	230/460	182T	ODP3-18-182T-F2	\$738.78	3.8	89.5	69	F2
	1800	230/460	182T	ODP3-18-182T-GR	\$957.63	3.8	89.5	69	GR
5	1200	230/460	213T	ODP3-12-213T	\$1,529.90	4.3	88.5	120	
	3600	230/460	182T	ODP5-36-182T	\$852.23	5.9	86.5	65	
	1800	230/460	184T	ODP5-18-184T	\$881.71	6.2	89.5	92	
	1800	230/460	184T	ODP5-18-184T-F2	\$881.71	6.2	89.5	92	F2
	1800	230/460	184T	ODP5-18-184T-GR	\$1,100.56	6.2	89.5	92	GR
7.5	1200	230/460	215T	ODP5-12-215T	\$1,727.39	6.5	89.5	145	
	3600	230/460	184T	ODP7.5-36-184T	\$1,204.13	8.6	88.5	79	
	1800	230/460	213T	ODP7.5-18-213T	\$1,197.78	9.4	91.0	141	
	1800	230/460	213T	ODP7.5-18-213T-F2	\$1,197.78	9.4	91.0	141	F2
	1800	230/460	213T	ODP7.5-18-213T-GR	\$1,455.62	9.4	91.0	141	GR
10	1200	230/460	254T	ODP7.5-12-254T	\$2,146.43	9.7	90.2	185	FC
	3600	230/460	213T	ODP10-36-213T	\$1,395.95	11.8	89.5	151	
	1800	230/460	215T	ODP10-18-215T	\$1,429.47	12.2	91.7	156	
	1800	230/460	215T	ODP10-18-215T-F2	\$1,429.47	12.2	91.7	156	F2
	1800	230/460	215T	ODP10-18-215T-GR	\$1,687.31	12.2	91.7	156	GR
15	1200	230/460	256T	ODP10-12-256T	\$2,454.71	13.1	91.7	240	
	3600	230/460	215T	ODP15-36-215T	\$1,822.10	16.9	90.2	142	
	1800	230/460	254T	ODP15-18-254T	\$1,955.76	17.1	93.0	215	FC
	1800	230/460	254T	ODP15-18-254T-GR	\$2,252.60	17.1	93.0	215	FC GR
	1200	230/460	284T	ODP15-12-284T	\$3,315.38	18.3	91.7	331	FC

Section 4: WORLDWIDE Open Drip Proof (ODP) Motors



Open Drip Proof (ODP) Motors (Continued)

ODP Enclosure ▪ Rigid Base ▪ Three-Phase ▪ 230/460 Volt

4

WORLDWIDE
Open Drip Proof

HP	RPM	Voltage	Frame	Model Number	List Price	FL Amps (A)	FL Eff. (%)	Approx. Wt. (lbs.)	Notes
20	3600	230/460	254T	ODP20-36-254T	\$2,312.88	22.1	91.0	247	FC
	1800	230/460	256T	ODP20-18-256T	\$2,396.72	22.5	93.0	261	FC
	1800	230/460	256T	ODP20-18-256T-GR	\$2,693.54	22.5	93.0	261	FC GR
	1200	230/460	286T	ODP20-12-286T	\$3,905.67	25.5	92.4	330	FC
25	3600	230/460	256T	ODP25-36-256T	\$2,815.32	27.0	91.7	270	FC
	1800	230/460	284T	ODP25-18-284T	\$2,915.66	30.0	93.6	300	FC
	1800	230/460	284T	ODP25-18-284T-GR	\$3,272.85	30.0	93.6	300	FC GR
	1200	230/460	324T	ODP25-12-324T	\$4,955.78	30.8	93.0	440	FC
30	3600	230/460	284TS	ODP30-36-284TS	\$3,362.81	33.2	91.7	329	FC
	1800	230/460	286T	ODP30-18-286T	\$3,324.88	35.9	94.1	330	FC
	1800	230/460	286T	ODP30-18-286T-GR	\$3,682.08	35.9	94.1	330	FC GR
	1200	230/460	326T	ODP30-12-326T	\$5,205.21	37.0	93.6	470	FC
40	3600	230/460	286TS	ODP40-36-286TS	\$4,288.65	45.4	92.4	340	FC
	1800	230/460	324T	ODP40-18-324T	\$4,344.95	47.9	94.1	440	FC
	1800	230/460	324T	ODP40-18-324T-GR	\$4,749.96	47.9	94.1	440	FC GR
	1200	230/460	364T	ODP40-12-364T	\$6,200.91	46.7	94.1	706	FC
50	3600	230/460	324TS	ODP50-36-324TS	\$5,186.42	56.1	93.0	418	FC
	1800	230/460	326T	ODP50-18-326T	\$5,011.00	58.8	94.5	470	FC
	1800	230/460	326T	ODP50-18-326T-GR	\$5,415.99	58.8	94.5	470	FC GR
	1200	230/460	365T	ODP50-12-365T	\$7,056.58	57.6	94.1	744	FC
60	3600	230/460	326TS	ODP60-36-326TS	\$6,037.66	67.6	93.6	455	FC
	1800	230/460	364T	ODP60-18-364T	\$6,144.21	70.9	95.0	718	FC
	1800	230/460	364TS	ODP60-18-364TS	\$6,144.21	70.9	95.0	718	FC
	3600	230/460	364TS	ODP75-36-364TS	\$6,717.15	83.3	93.6	724	FC
75	1800	230/460	365T	ODP75-18-365T	\$7,162.65	86.3	95.0	773	FC
	1800	230/460	365TS	ODP75-18-365TS	\$7,162.65	86.3	95.0	773	FC
	3600	230/460	365TS	ODP100-36-365TS	\$7,933.31	111.5	93.6	817	FC
	1800	230/460	404T	ODP100-18-404T	\$9,335.36	115.3	95.4	1043	FC
100	1800	230/460	404TS	ODP100-18-404TS	\$9,335.36	115.3	95.4	1043	FC
	3600	230/460	404TS	ODP125-36-404TS	\$11,256.89	128.8	94.1	1089	FC
	1800	230/460	405T	ODP125-18-405T	\$11,615.35	136.2	95.4	1085	FC
	1800	230/460	405TS	ODP125-18-405TS	\$11,615.35	136.2	95.4	1085	FC
150	3600	230/460	405TS	ODP150-36-405TS	\$12,851.11	160.5	94.1	1165	FC
	1800	230/460	444T	ODP150-18-444T	\$13,505.96	165.4	95.8	1504	FC
	1800	230/460	444TS	ODP150-18-444TS	\$13,505.96	165.4	95.8	1504	FC
	3600	230/460	444TS	ODP200-36-444TS	\$16,723.37	219.4	95.0	1654	FC
200	1800	230/460	445T	ODP200-18-445T	\$16,470.09	224.4	95.8	1733	FC

Inpro® Current Diverter Rings

For use on WorldWide Electric Motors

Model Number	Frame Size	List Price
CDR-180T	182T / 184T	\$429.66
CDR-210T	213T / 215T	\$531.96
CDR-250T/280TS	254T / 256T / 284TS / 286TS	\$624.05
CDR-280T/320TS/360TS	284T / 286T / 324TS / 326TS / 364TS / 365TS	\$716.12
CDR-320T/400TS	324T / 326T / 404TS	\$818.42
CDR-360T/440TS	364T / 365T	\$910.49
CDR-400T	404T	\$1,104.86

WorldWide Electric Grounding Rings

Model Number	Frame Size	List Price
GR-140	143/145T	\$139.61
GR-180	182/184T	\$176.09
GR-210	213/215T	\$203.75
GR-250/280TS	254/256T/284/286T	\$240.22
GR-280/320TS/360TS	284/286T/324/326TS/364/365TS	\$276.70
GR-320/400TS	324/326T/404/405TS	\$320.72
GR-360/440TS	364/365T/444/445TS	\$383.61

ODP Motor C-Flange Kits

Model Number	Frame Size	List Price
ODP56C	56	\$34.78
ODP140TC	143T / 145T	\$87.84
ODP180TC	182T / 184T	\$94.59
ODP210TC	213T / 215T	\$214.25
ODP250TC	254T / 256T	\$236.51
ODP280TC	284T / 286T	\$286.62
ODP320TC	324T / 326T	\$349.21
ODP360TC	364T/365T	\$484.01
ODP400TC	404T/405T	\$665.35

- 1 56C-face removable base
- F2 Factory F2 mount
- FC F1/F2 convertible
- GR Factory installed grounding rings (WWE brand)

When using any motor with a variable frequency drive, take precautions to eliminate or reduce shaft currents in order to prolong bearing life.

Section 5: WORLDWIDE Premium Efficient Severe Duty Motors

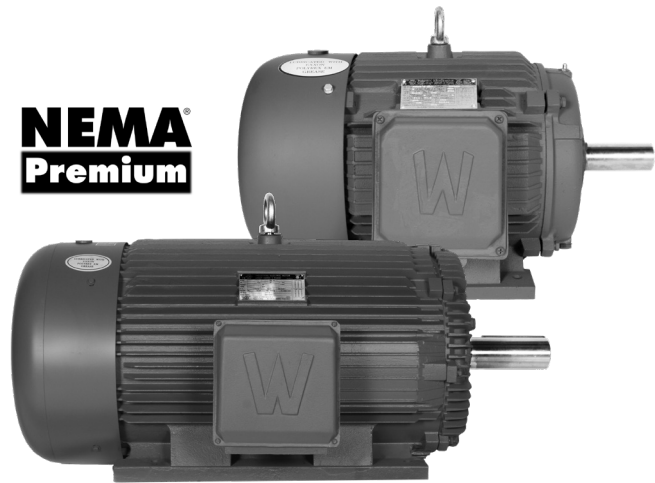


Premium Efficient Severe Duty Motors

TEFC Enclosure ▪ Rigid Base ▪ Three-Phase ▪ 230/460 and 460 Volt

Product Specifications

- 1-500 HP
- 3600, 1800, 1200 and 900 RPM
- 230/460 Volt, 60 Hz
- 460 Volt, 60 Hz (449T-586/7 Frame)
- Totally Enclosed Fan Cooled (TEFC) Enclosure
- IP55 Protection
- 1.25 SF (1-200 HP)
- 1.15 SF (250-500 HP)
- Class F Insulation
- Rigid Base
- Premium Efficiency
- Inverter Duty, 10:1 CT / 20:1 VT at 1.0 SF (1-400 HP)
- Inverter Ready, 3:1 CT / 6:1 VT at 1.0 SF (450-500 HP)
- Class 1, Division 2, Groups A, B, C, D (1-400 HP)
- Suitable for 50 Hz, 200/400V with 1.0 SF (1-200 HP)
- Suitable for 50 Hz, 400V with 1.0 SF (250-400 HP)



HP	RPM	Voltage	Frame	Model Number	List Price	FL Amps (A)	FL Eff. (%)	Approx. Wt. (lbs.)	Notes
1	1800	230/460	143T	PEWWE1-18-143T	\$478.88	1.5	85.5	41	FC
	1200	230/460	145T	PEWWE1-12-145T	\$666.17	1.7	82.5	53	DD FC
1.5	3600	230/460	143T	PEWWE1.5-36-143T	\$650.35	2.0	84.0	46	FC
	1800	230/460	145T	PEWWE1.5-18-145T	\$590.97	2.2	86.5	56	DD FC
	1200	230/460	182T	PEWWE1.5-12-182T	\$761.09	2.4	87.5	92	FC
2	3600	230/460	145T	PEWWE2-36-145T	\$707.11	2.6	85.5	51	DD FC
	1800	230/460	145T	PEWWE2-18-145T	\$626.14	2.9	86.5	59	DD FC
	1200	230/460	184T	PEWWE2-12-184T	\$999.64	3.0	88.5	100	DD FC
3	3600	230/460	182T	PEWWE3-36-182T	\$853.88	3.8	86.5	57	
	1800	230/460	182T	PEWWE3-18-182T	\$881.60	4.0	89.5	86	FC
	1200	230/460	213T	PEWWE3-12-213T	\$1,345.77	4.4	89.5	166	FC
5	900	230/460	215T	PEWWE3-9-215T	\$2,018.09	4.8	85.5	154	DD FC
	3600	230/460	184T	PEWWE5-36-184T	\$1,056.44	6.0	88.5	96	DD
	1800	230/460	184T	PEWWE5-18-184T	\$1,033.03	6.3	89.9	104	DD
	1200	230/460	215T	PEWWE5-12-215T	\$1,669.10	7.0	89.5	179	DD FC
7.5	900	230/460	254T	PEWWE5-9-254T	\$3,121.37	7.3	86.5	219	FC
	3600	230/460	213T	PEWWE7.5-36-213T	\$1,595.22	8.8	89.5	105	FC
	1800	230/460	213T	PEWWE7.5-18-213T	\$1,365.88	9.1	91.7	172	FC
	1200	230/460	254T	PEWWE7.5-12-254T	\$2,193.47	9.4	91.0	247	FC
10	900	230/460	256T	PEWWE7.5-9-256T	\$3,459.84	10.8	86.5	249	DD FC
	3600	230/460	215T	PEWWE10-36-215T	\$1,655.91	11.7	90.2	180	DD FC
	1800	230/460	215T	PEWWE10-18-215T	\$1,654.66	12.0	91.7	193	DD FC
	1200	230/460	256T	PEWWE10-12-256T	\$2,752.75	12.5	91.0	258	DD FC
15	900	230/460	284T	PEWWE10-9-284T	\$4,394.72	13.8	89.5	347	FC
	3600	230/460	254T	PEWWE15-36-254T	\$2,682.39	17.3	91.0	190	FC
	1800	230/460	254T	PEWWE15-18-254T	\$2,378.12	18.1	92.4	265	FC
	1200	230/460	284T	PEWWE15-12-284T	\$3,456.57	18.7	91.7	366	FC
20	900	230/460	286T	PEWWE15-9-286T	\$5,114.34	20.4	89.5	390	DD FC
	3600	230/460	256T	PEWWE20-36-256T	\$3,269.51	23.1	91.0	297	DD FC
	1800	230/460	256T	PEWWE20-18-256T	\$2,732.43	23.7	93.0	304	DD FC
	1200	230/460	286T	PEWWE20-12-286T	\$4,311.26	24.6	91.7	419	DD FC
25	900	230/460	324T	PEWWE20-9-324T	\$6,076.75	26.3	90.2	501	FC
	3600	230/460	284TS	PEWWE25-36-284TS	\$4,035.14	29.0	91.7	358	FC
	1800	230/460	284T	PEWWE25-18-284T	\$3,564.24	29.1	93.6	385	FC
	1200	230/460	324T	PEWWE25-12-324T	\$4,903.34	32.7	93.0	522	FC
	900	230/460	326T	PEWWE25-9-326T	\$6,854.25	32.9	90.2	552	DD FC

When using any motor with a variable frequency drive, take precautions to eliminate or reduce shaft currents in order to prolong bearing life.

Section 5: WORLDWIDE Premium Efficient Severe Duty Motors



Premium Efficient Severe Duty Motors (Continued)

TEFC Enclosure ▪ Rigid Base ▪ Three-Phase ▪ 230/460 and 460 Volt

5

WORLDWIDE
PEWWE Severe Duty

HP	RPM	Voltage	Frame	Model Number	List Price	FL Amps (A)	FL Eff. (%)	Approx. Wt. (lbs.)	Notes
30	3600	230/460	286T	PEWWE30-36-286T	\$4,127.88	34.4	91.7	394	DD FC
	3600	230/460	286TS	PEWWE30-36-286TS	\$4,127.88	34.4	91.7	394	DD FC
	1800	230/460	286T	PEWWE30-18-286T	\$4,037.63	34.5	93.6	430	DD FC
	1200	230/460	326T	PEWWE30-12-326T	\$5,756.09	38.7	93.0	562	DD FC
	900	230/460	364T	PEWWE30-9-364T	\$10,368.94	40.8	91.7	731	FC
40	3600	230/460	324TS	PEWWE40-36-324TS	\$5,316.09	46.1	92.4	485	FC
	1800	230/460	324T	PEWWE40-18-324T	\$5,131.19	46.3	94.1	531	FC
	1200	230/460	364T	PEWWE40-12-364T	\$7,153.71	49.1	94.1	780	FC
	900	230/460	365T	PEWWE40-9-365T	\$11,454.77	54.5	91.7	796	DD FC
50	3600	230/460	326TS	PEWWE50-36-326TS	\$6,679.20	56.6	93.0	534	DD FC
	1800	230/460	326T	PEWWE50-18-326T	\$5,831.02	57.6	94.5	578	DD FC
	1200	230/460	365T	PEWWE50-12-365T	\$9,380.36	60.7	94.1	844	DD
	900	230/460	404T	PEWWE50-9-404T	\$16,582.65	66.7	92.4	968	R FC
60	3600	230/460	364TS	PEWWE60-36-364TS	\$9,159.35	70.6	93.6	743	
	1800	230/460	364T	PEWWE60-18-364T	\$7,702.51	72.0	95.0	769	
	1200	230/460	404T	PEWWE60-12-404T	\$10,371.19	70.8	94.5	1012	R FC
	900	230/460	405T	PEWWE60-9-405T	\$19,321.97	80.0	92.4	1058	R DD FC
75	3600	230/460	365TS	PEWWE75-36-365TS	\$10,968.34	88.3	93.6	787	DD
	3600	230/460	365TS	PEWWE75-36-365TS-IB	\$15,252.22	88.3	93.6	787	IB DD
	1800	230/460	365T	PEWWE75-18-365T	\$9,277.68	88.7	95.4	858	DD
	1200	230/460	405T	PEWWE75-12-405T	\$10,869.61	87.4	94.5	1129	R DD FC
	900	230/460	444T	PEWWE75-9-444T	\$22,205.07	101	93.6	1325	R FC
100	3600	230/460	405TS	PEWWE100-36-405TS	\$13,205.70	111	94.1	1054	DD
	3600	230/460	405TS	PEWWE100-36-405TS-IB	\$17,208.22	111	94.1	1054	DD
	1800	230/460	405T	PEWWE100-18-405T	\$10,999.62	113	95.4	1131	R DD
	1800	230/460	405T	PEWWE100-18-405TB	\$10,999.62	113	95.4	1131	BB DD
	1800	230/460	405T	PEWWE100-18-405TB-IB	\$11,819.77	113	95.4	1131	BB IB DD
	1800	230/460	405TS	PEWWE100-18-405TSBB	\$10,999.62	113	95.4	1131	BB DD
	1200	230/460	444T	PEWWE100-12-444T	\$15,729.72	120	95.0	1477	R FC
	1200	230/460	444T	PEWWE100-12-444T-IB	\$17,307.01	120	95.0	1477	IB R DD FC
	900	230/460	445T	PEWWE100-9-445T	\$25,502.52	135	93.6	1546	R DD FC
125	3600	230/460	444TS	PEWWE125-36-444TS	\$17,250.56	137	95.0	1338	FC
	3600	230/460	444TS	PEWWE125-36-444TS-IB	\$21,102.05	137	95.0	1338	IB FC
	1800	230/460	444T	PEWWE125-18-444T	\$14,764.32	146	95.4	1429	R FC
	1800	230/460	444T	PEWWE125-18-444TB	\$14,764.32	146	95.4	1429	BB FC
	1800	230/460	444T	PEWWE125-18-444TB-IB	\$17,815.52	146	95.4	1429	BB IB FC
	1200	230/460	445T	PEWWE125-12-445T	\$18,327.48	145	95.0	1632	R DD FC
	900	230/460	445/7T	PEWWE125-9-445/7T	\$26,449.87	168	94.1	1782	R DD FC
150	3600	230/460	445TS	PEWWE150-36-445TS	\$19,850.19	164	95.0	1517	DD FC
	3600	230/460	445TS	PEWWE150-36-445TS-IB	\$23,660.73	164	95.0	1517	IB DD FC
	1800	230/460	445T	PEWWE150-18-445T	\$16,213.19	172	95.8	1625	R DD FC
	1800	230/460	445T	PEWWE150-18-445T-IB	\$19,571.97	172	95.8	1625	IB R DD FC
	1800	230/460	445T	PEWWE150-18-445TB	\$16,213.19	172	95.8	1625	BB DD FC
	1200	230/460	445/7T	PEWWE150-12-445/7T	\$23,410.56	179	95.8	2013	R DD FC
	1200	230/460	445/7T	PEWWE150-12-445/7T-IB	\$27,623.24	179	95.8	2013	IB R DD FC
	900	230/460	449T	PEWWE150-9-449T	\$28,957.93	194	94.1	2486	R DD** FC
200	3600	230/460	445/7TS	PEWWE200-36-445/7TS	\$26,829.74	216	96.2	1797	DD FC
	3600	230/460	445/7TS	PEWWE200-36-445/7TS-IB	\$28,765.12	216	96.2	1797	IB DD FC
	1800	230/460	445/7T	PEWWE200-18-445/7T	\$21,547.79	226	96.2	2033	R DD FC
	1800	230/460	445/7T	PEWWE200-18-445/7T-IB	\$24,960.48	226	96.2	2033	IB R DD FC
	1800	230/460	445/7T	PEWWE200-18-445/7TB	\$21,547.79	226	96.2	2033	BB DD FC
	1800	230/460	445/7T	PEWWE200-18-445/7TB-IB	\$25,257.25	226	96.2	2033	BB IB DD FC

BB Ball bearing on drive-end for direct coupled applications
 IB Insulated opposite drive-end bearing installed
 R Roller bearing on drive-end for belted applications
 DD Double drilled feet
 FC F1/F2 convertible

* Double drilled feet with 6 holes
 ** Double drilled feet with 12 holes

When using any motor with a variable frequency drive, take precautions to eliminate or reduce shaft currents in order to prolong bearing life.

Section 5: WORLDWIDE Premium Efficient Severe Duty Motors



Premium Efficient Severe Duty Motors (Continued)

TEFC Enclosure ▪ Rigid Base ▪ Three-Phase ▪ 230/460 and 460 Volt

HP	RPM	Voltage	Frame	Model Number	List Price	FL Amps (A)	FL Eff. (%)	Approx. Wt. (lbs.)	Notes
200	1200	460	449T	PEWWE200-12-449T	\$27,699.88	236	95.8	2664	R DD** FC
	1200	460	449T	PEWWE200-12-449T-IB	\$31,180.73	236	95.8	2664	IB R DD** FC
	1200	460	449T	PEWWE200-12-449TBB	\$27,699.88	236	95.8	2664	BB DD** FC
	1200	460	505Z	PEWWE200-12-505Z	\$38,646.24	225	95.8	2470	R DD*
	1200	460	505UZ	PEWWE200-12-505UZ	\$38,646.24	225	95.8	2470	R DD*
	900	230/460	449T	PEWWE200-9-449T	\$46,853.25	254	94.5	2971	R DD** FC
250	3600	460	449TS	PEWWE250-36-449TS	\$29,193.43	269	95.8	2200	DD** FC
	3600	460	449TS	PEWWE250-36-449TS-IB	\$31,128.81	269	95.8	2200	IB DD** FC
	1800	460	449T	PEWWE250-18-449T	\$30,506.18	280	96.2	2508	R DD** FC
	1800	460	449T	PEWWE250-18-449T-IB	\$33,732.12	280	96.2	2508	IB R DD** FC
	1800	460	449T	PEWWE250-18-449TBB	\$30,506.18	280	96.2	2508	BB DD** FC
	1800	460	449T	PEWWE250-18-449TBB-IB	\$33,732.12	280	96.2	2508	BB IB DD** FC
	1800	460	449TS	PEWWE250-18-449TSBB	\$30,506.18	280	96.2	2508	BB DD** FC
	1800	460	505Z	PEWWE250-18-505Z	\$31,368.31	280	96.2	2360	R DD*
	1800	460	505UZ	PEWWE250-18-505UZ	\$31,368.31	280	96.2	2360	R DD*
	1800	460	505UZ	PEWWE250-18-505UZ-IB	\$34,133.28	280	96.2	2360	IB R DD*
	1200	460	449T	PEWWE250-12-449T	\$33,395.40	298	95.8	2750	R DD** FC
	1200	460	449T	PEWWE250-12-449T-IB	\$36,621.34	298	95.8	2750	IB R DD** FC
	1200	460	449T	PEWWE250-12-449TBB	\$33,395.40	298	95.8	2750	BB DD** FC
	1200	460	586/7	PEWWE250-12-586/7	\$46,869.52	287	95.8	3737	R DD** FC
	1200	460	586/7	PEWWE250-12-586/7-IB	\$51,938.85	287	95.8	3737	IB R DD** FC
	1200	460	586/7UZ	PEWWE250-12-586/7UZ	\$46,869.52	287	95.8	3737	R DD** FC
	900	460	586/7	PEWWE250-9-586/7	\$49,750.52	312	95.0	4030	R DD** FC
	300	1800	460	449T	PEWWE300-18-449T	\$34,171.63	336	96.2	2728
1800		460	449T	PEWWE300-18-449T-IB	\$37,397.50	336	96.2	2728	IB R DD** FC
1800		460	449T	PEWWE300-18-449TBB	\$34,171.63	336	96.2	2728	BB DD** FC
1800		460	449T	PEWWE300-18-449TBB-IB	\$37,397.50	336	96.2	2728	BB IB DD** FC
1800		460	449TS	PEWWE300-18-449TSBB	\$34,171.63	336	96.2	2728	BB DD** FC
1800		460	586/7	PEWWE300-18-586/7	\$50,422.60	324	96.2	3873	R DD** FC
1800		460	586/7	PEWWE300-18-586/7-IB	\$55,491.85	324	96.2	3873	IB R DD** FC
1800		460	586/7	PEWWE300-18-586/7BB	\$50,422.60	324	96.2	3873	BB DD** FC
1800		460	586/7UZ	PEWWE300-18-586/7UZ	\$50,422.60	324	96.2	3873	R DD** FC
1200		460	449T	PEWWE300-12-449T	\$37,192.12	353	95.8	2977	R DD** FC
1200		460	449T	PEWWE300-12-449T-IB	\$40,418.00	353	95.8	2977	IB R DD** FC
1200		460	449T	PEWWE300-12-449TBB	\$37,192.12	353	95.8	2977	BB DD** FC
1200		460	449T	PEWWE300-12-449TBB-IB	\$40,418.00	353	95.8	2977	BB IB DD** FC
1200		460	586/7	PEWWE300-12-586/7	\$53,446.88	341	95.8	4136	R DD** FC
1200		460	586/7	PEWWE300-12-586/7-IB	\$58,516.13	341	95.8	4136	IB R DD** FC
1200		460	586/7	PEWWE300-12-586/7BB	\$53,446.88	341	95.8	4136	BB DD** FC
1200		460	586/7UZ	PEWWE300-12-586/7UZ	\$53,446.88	341	95.8	4136	R DD** FC
1200		460	586/7UZ	PEWWE300-12-586/7UZ-IB	\$58,516.13	341	95.8	4136	IB R DD** FC
900	460	586/7	PEWWE300-9-586/7	\$54,888.03	374	95.0	4440	R DD** FC	
900	460	586/7UZ	PEWWE300-9-586/7UZ	\$54,888.03	374	95.0	4440	R DD** FC	
350	1800	460	449T	PEWWE350-18-449T-IB	\$42,574.13	392	96.2	2870	IB R DD** FC
	1800	460	449T	PEWWE350-18-449TBB-IB	\$42,574.13	392	96.2	2870	IB DD** FC
	1800	460	586/7	PEWWE350-18-586/7	\$53,640.95	374	96.2	4070	R DD** FC
	1800	460	586/7	PEWWE350-18-586/7-IB	\$58,710.28	374	96.2	4070	IB R DD** FC
	1800	460	586/7UZ	PEWWE350-18-586/7UZ-IB	\$58,710.28	374	96.2	4070	IB R DD** FC
	1200	460	449T	PEWWE350-12-449T	\$45,209.48	407	95.8	2930	R DD** FC
	1200	460	449T	PEWWE350-12-449T-IB	\$48,435.06	407	95.8	2930	IB R DD** FC
	1200	460	586/7	PEWWE350-12-586/7	\$56,373.30	398	95.8	4145	R DD** FC
	1200	460	586/7	PEWWE350-12-586/7-IB	\$61,442.49	398	95.8	4145	IB R DD** FC
	1200	460	586/7UZ	PEWWE350-12-586/7UZ	\$56,373.30	398	95.8	4145	R DD** FC

BB Ball bearing on drive-end for direct coupled applications
 IB Insulated opposite drive-end bearing installed
 R Roller bearing on drive-end for belted applications
 DD Double drilled feet
 FC F1/F2 convertible

* Double drilled feet with 6 holes
 ** Double drilled feet with 12 holes

When using any motor with a variable frequency drive, take precautions to eliminate or reduce shaft currents in order to prolong bearing life.

5
 WORLDWIDE
 PEWWE Severe Duty

Section 5: WORLDWIDE Premium Efficient Severe Duty Motors



Premium Efficient Severe Duty Motors (Continued)

TEFC Enclosure ▪ Rigid Base ▪ Three-Phase ▪ 230/460 and 460 Volt

5
WORLDWIDE
PEWWE Severe Duty

HP	RPM	Voltage	Frame	Model Number	List Price	FL Amps (A)	FL Eff. (%)	Approx. Wt. (lbs.)	Notes
400	1800	460	586/7	PEWWE400-18-586/7	\$56,006.54	428.0	96.2	4374	R DD** FC
	1800	460	586/7	PEWWE400-18-586/7-IB	\$61,075.80	428.0	96.2	4374	IB R DD** FC
	1800	460	586/7	PEWWE400-18-586/7BB	\$56,006.54	428.0	96.2	4374	BB DD** FC
	1800	460	586/7	PEWWE400-18-586/7BB-IB	\$61,075.80	428.0	96.2	4374	BB IB DD** FC
	1800	460	586/7UZ	PEWWE400-18-586/7UZ	\$56,006.54	428.0	96.2	4374	R DD** FC
	1800	460	586/7UZ	PEWWE400-18-586/7UZ-IB	\$61,075.80	428.0	96.2	4374	IB R DD** FC
	1200	460	586/7	PEWWE400-12-586/7	\$58,515.27	449.0	95.8	4707	R DD** FC
	1200	460	586/7	PEWWE400-12-586/7-IB	\$63,584.31	449.0	95.8	4707	IB R DD** FC
	1200	460	586/7	PEWWE400-12-586/7BB	\$58,515.27	449.0	95.8	4707	BB DD** FC
	1200	460	586/7	PEWWE400-12-586/7BB-IB	\$63,584.31	449.0	95.8	4707	BB IB DD** FC
	1200	460	586/7UZ	PEWWE400-12-586/7UZ	\$58,515.27	449.0	95.8	4707	R DD** FC
	1200	460	586/7UZ	PEWWE400-12-586/7UZ-IB	\$63,584.31	449.0	95.8	4707	IB R DD** FC
450	1800	460	586/7	PEWWE450-18-586/7	\$58,542.81	481.0	96.2	4500	R DD**
	1800	460	586/7	PEWWE450-18-586/7-IB	\$62,229.02	481.0	96.2	4500	IB R DD**
	1200	460	586/7	PEWWE450-12-586/7-IB	\$65,518.98	506.0	95.8	4850	IB R ▲ DD**
500	1800	460	586/7	PEWWE500-18-586/7-IB	\$66,876.00	535	96.2	4630	IB R DD**
	1800	460	586/7	PEWWE500-18-586/7BB	\$61,806.89	535	96.2	4630	BB DD**
	1800	460	586/7	PEWWE500-18-586/7BB-IB	\$66,876.00	535	96.2	4630	BB IB DD**
	1800	460	586/7UZ	PEWWE500-18-586/7UZ	\$61,806.89	535	96.2	4630	R DD**
	1200	460	586/7	PEWWE500-12-586/7	\$62,384.39	562	95.8	4740	R ▲ DD**
	1200	460	586/7	PEWWE500-12-586/7-IB	\$67,453.43	562	95.8	4740	IB R ▲ DD**
	1200	460	586/7UZ	PEWWE500-12-586/7UZ	\$62,384.39	562	95.8	4740	R ▲ DD**
	1200	460	586/7UZ	PEWWE500-12-586/7UZ-IB	\$67,453.43	562	95.8	4740	IB R ▲ DD**
600	1800	460	586/7	WWE600-18-586/7	\$66,570.86	661	95.0	4630	R ▲ DD**
	1800	460	586/7	WWE600-18-586/7BB	\$66,570.86	661	95.0	4630	BB ▲ DD**

PEWWE Motor C-Flange and D-Flange Kits

Frame Size	C-Flange Kits		D-Flange Kits	
	Model Number	List Price	Model Number	List Price
143T / 145T	PEW140TC (≤ 2016)	\$46.07	PEW140TD (≤ 2016)	\$46.07
	PEW140TCN (≥ 2017)	\$46.07	PEW140TDN (≥ 2017)	\$46.07
182T / 184T	PEW180TC (≤ 2016)	\$64.02	PEW180TD (≤ 2016)	\$64.02
	PEW180TCN (≥ 2017)	\$64.02	PEW180TDN (≥ 2017)	\$64.02
213T / 215T	PEW210TC	\$89.60	PEW210TD	\$89.60
254T / 256T	PEW250TC (≤ 2016)	\$153.64	PEW250TD (≤ 2016)	\$153.64
	PEW250TCN (≥ 2017)	\$153.64	PEW250TDN (≥ 2017)	\$153.64
284T / 286T	PEW280TC	\$192.09	PEW280TD	\$192.09
324T / 326T	PEW320TC	\$268.92	PEW320TD	\$268.92
364T / 365T	PEW360TC (≤ 2016)	\$384.12	PEW360TD (≤ 2016)	\$384.12
	PEW360TCN (≥ 2017)	\$384.12	PEW360TDN (≥ 2017)	\$384.12
404T / 405T (2 Pole)	PEW400TC-2	\$570.22	PEW400TD-2	\$570.22
404T / 405T (4/6 Pole)	PEW400TC	\$570.22	PEW400TD	\$570.22
444T / 445T (2 Pole)	PEW444/5TC-2	\$603.76	PEW444/5TD-2	\$603.76
444T / 445T (4/6 Pole)	PEW444/5TC	\$603.76	PEW444/5TD	\$603.76
447T (2 Pole)	PEW447TC-2	\$603.76	PEW447TD-2	\$603.76
447T (4/6 Pole)	PEW447TC	\$603.76	PEW447TD	\$603.76
449T	PEW449TC	\$852.38	PEW449TD	\$852.38
586/7	PEW580TC	\$1,509.44	PEW580TD	\$1,509.44

- ▲ 1.0 SF
- BB Ball bearing on drive-end for direct coupled applications
- IB Insulated opposite drive-end bearing installed
- R Roller bearing on drive-end for belted applications
- DD Double drilled feet
- FC F1/F2 convertible

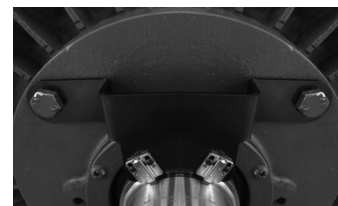
Helwig Carbon® The Bearing Protector™

- For use on WorldWide Electric Severe Duty Motors *
- Divert current from motor shaft
- Provides lowest resistant path to ground
- Easy to install - Simply remove top two bearing cap bolts
- Includes integral bracket for easy mounting

Frame Size	Model Number	List Price
364T / 365T	SGK-PEWWE-364/5T	\$1,739.14
404T / 405T	SGK-PEWWE-404/5T/TS	\$1,739.14
444T / 445T	SGK-PEWWE-444/5T	\$1,739.14
445/7TS	SGK-PEWWE-445/7TS	\$1,739.14
445/7T	SGK-PEWWE-445/7T	\$1,739.14
449T **	SGK-PEWWE-449T **	\$1,739.14
586/7 / 586/7UZ	SGK-PEWWE-586/7T-UZ	\$1,739.14

* Installation of this product will result in loss of Class I Division 2 Classification from motor - please contact WorldWide for new motor nameplate at a cost of \$25 net.

** Not suitable for use with PEWWE350-18-449T or PEWWE350-12-449T.



When using any motor with a variable frequency drive, take precautions to eliminate or reduce shaft currents in order to prolong bearing life.

Section 5: WORLDWIDE Premium Efficient Severe Duty Motors

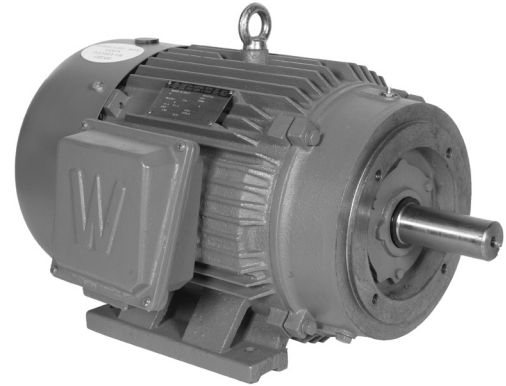


Premium Efficient Severe Duty Motors

TEFC Enclosure • C-Face with Feet • Three-Phase • 230/460 and 460 Volt

Product Specifications

- 1-300 HP
- 3600, 1800 and 1200 RPM
- 230/460 Volt, 60 Hz
- 460 Volt, 60 Hz (449TC Frame)
- Totally Enclosed Fan Cooled (TEFC) Enclosure
- IP55 Protection
- 1.25 SF (1-200 HP)
- 1.15 SF (250-300 HP)
- Class F Insulation
- C-Face with Feet
- Premium Efficiency
- Inverter Duty, 10:1 CT / 20:1 VT at 1.0 SF
- Class 1, Division 2, Groups A, B, C, D
- Suitable for 50 Hz, 200/400V with 1.0 SF (1-200 HP)
- Suitable for 50 Hz, 400V with 1.0 SF (250-300 HP)



5

WORLDWIDE
PEWWE Severe Duty

HP	RPM	Voltage	Frame	Model Number	List Price	FL Amps (A)	FL Eff. (%)	Approx. Wt. (lbs.)	Notes
1	1800	230/460	143TC	PEWWE1-18-143TC	\$498.84	1.6	86.3	49	
	1200	230/460	145TC	PEWWE1-12-145TC	\$693.91	1.6	82.5	51	
1.5	3600	230/460	143TC	PEWWE1.5-36-143TC	\$677.46	2.0	85.5	48	
	1800	230/460	145TC	PEWWE1.5-18-145TC	\$615.60	2.3	87.3	55	
2	3600	230/460	145TC	PEWWE2-36-145TC	\$736.59	2.7	86.6	56	
	1800	230/460	145TC	PEWWE2-18-145TC	\$652.23	3.0	87.3	58	
3	3600	230/460	145TC	PEWWE3-36-145TC	\$889.47	3.8	87.4	57	
	3600	230/460	182TC	PEWWE3-36-182TC	\$889.47	3.9	88.0	79	
	1800	230/460	182TC	PEWWE3-18-182TC	\$918.33	4.0	90.3	98	
5	1200	230/460	213TC	PEWWE3-12-213TC	\$1,401.86	4.2	89.5	165	
	3600	230/460	184TC	PEWWE5-36-184TC	\$1,100.45	6.3	89.0	95	
	1800	230/460	184TC	PEWWE5-18-184TC	\$1,076.07	6.7	90.3	115	
	1200	230/460	215TC	PEWWE5-12-215TC	\$1,738.63	6.9	89.5	171	
7.5	3600	230/460	184TC	PEWWE7.5-36-184TC	\$1,661.68	8.8	90.8	105	
	3600	230/460	213TC	PEWWE7.5-36-213TC	\$1,661.68	9.2	89.7	176	
	1800	230/460	213TC	PEWWE7.5-18-213TC	\$1,422.80	9.3	91.8	158	
	1200	230/460	254TC	PEWWE7.5-12-254TC	\$2,284.88	10.4	91.1	251	
10	3600	230/460	215TC	PEWWE10-36-215TC	\$1,724.92	12.2	90.3	180	
	1800	230/460	215TC	PEWWE10-18-215TC	\$1,723.61	12.5	91.8	175	
	1200	230/460	256TC	PEWWE10-12-256TC	\$2,867.46	13.9	91.0	251	
15	3600	230/460	215TC	PEWWE15-36-215TC	\$2,794.16	17.3	91.8	190	
	3600	230/460	254TC	PEWWE15-36-254TC	\$2,794.16	18.2	91.2	276	
	1800	230/460	254TC	PEWWE15-18-254TC	\$2,477.22	17.1	92.5	294	
	1200	230/460	284TC	PEWWE15-12-284TC	\$3,600.60	20.2	91.7	419	
20	3600	230/460	256TC	PEWWE20-36-256TC	\$3,405.76	24.2	91.2	298	
	1800	230/460	256TC	PEWWE20-18-256TC	\$2,846.29	24.0	93.8	436	
	1200	230/460	286TC	PEWWE20-12-286TC	\$4,490.91	26.2	91.7	449	

When using any motor with a variable frequency drive, take precautions to eliminate or reduce shaft currents in order to prolong bearing life.

Section 5: WORLDWIDE Premium Efficient Severe Duty Motors



Premium Efficient Severe Duty Motors (Continued)

TEFC Enclosure ▪ C-Face with Feet ▪ Three-Phase ▪ 230/460 and 460 Volt

HP	RPM	Voltage	Frame	Model Number	List Price	FL Amps (A)	FL Eff. (%)	Approx. Wt. (lbs.)	Notes
25	3600	230/460	256TC	PEWWE25-36-256TC	\$4,203.28	28.7	92.1	309	
	3600	230/460	256TSC	PEWWE25-36-256TSC	\$4,203.28	28.7	92.1	309	
	3600	230/460	284TC	PEWWE25-36-284TC	\$4,203.28	29.3	91.7	358	
	3600	230/460	284TCS	PEWWE25-36-284TCS	\$4,203.28	29.4	91.9	350	
	1800	230/460	284TC	PEWWE25-18-284TC	\$3,712.74	29.8	93.6	406	
	1200	230/460	324TC	PEWWE25-12-324TC	\$5,107.65	32.3	93.0	629	
30	3600	230/460	286TC	PEWWE30-36-286TC	\$4,299.87	34.8	91.7	394	
	3600	230/460	286TCS	PEWWE30-36-286TSC	\$4,299.87	35.2	91.9	384	
	1800	230/460	286TC	PEWWE30-18-286TC	\$4,205.87	35.7	93.7	448	
	1200	230/460	326TC	PEWWE30-12-326TC	\$5,995.92	38.8	93.0	660	
40	3600	230/460	324TC	PEWWE40-36-324TC	\$5,537.57	46.1	92.4	485	
	3600	230/460	324TSC	PEWWE40-36-324TSC	\$5,537.57	46.6	92.7	560	
	1800	230/460	324TC	PEWWE40-18-324TC	\$5,344.98	47.4	94.4	684	
	1200	230/460	364TC	PEWWE40-12-364TC	\$7,451.79	49.8	94.1	933	
50	3600	230/460	326TC	PEWWE50-36-326TC	\$6,957.50	56.6	93.0	534	
	3600	230/460	326TSC	PEWWE50-36-326TSC	\$6,957.50	57.2	93.2	598	
	1800	230/460	326TC	PEWWE50-18-326TC	\$6,074.00	60.4	94.5	580	
	1200	230/460	365TC	PEWWE50-12-365TC	\$9,771.21	62.3	94.1	968	
60	3600	230/460	364TSC	PEWWE60-36-364TSC	\$9,540.99	68.3	93.6	710	
	1800	230/460	364TC	PEWWE60-18-364TC	\$8,023.44	68.8	95.1	805	
	1200	230/460	404TC	PEWWE60-12-404TC	\$10,803.32	72.6	94.5	1020	
75	3600	230/460	365TCS	PEWWE75-36-365TSC	\$11,322.53	85.3	93.6	849	
	1800	230/460	365TC	PEWWE75-18-365TC	\$9,664.27	83.8	95.4	891	
	1200	230/460	405TC	PEWWE75-12-405TC	\$11,322.53	90.7	94.5	1180	
100	3600	230/460	405TSC	PEWWE100-36-405TSC	\$13,755.93	111	94.2	1007	
	1800	230/460	405TC	PEWWE100-18-405TC	\$11,457.96	114	95.4	1198	
	1800	230/460	405TSC	PEWWE100-18-405TSC	\$11,457.96	114	95.4	1198	
125	3600	230/460	444TSC	PEWWE125-36-444TSC	\$17,969.32	137	95.0	1366	
	1800	230/460	444TC	PEWWE125-18-444TC	\$15,379.52	143	95.4	1609	
150	3600	230/460	445TSC	PEWWE150-36-445TSC	\$20,677.25	165	95.0	1496	
	1800	230/460	445TC	PEWWE150-18-445TC	\$16,888.74	171	95.8	2062	
200	1800	230/460	445/7TC	PEWWE200-18-445/7TC	\$22,445.62	227	96.3	2124	
	1200	460	449TC	PEWWE200-12-449TC	\$28,854.03	232	95.8	2678	
250	1800	460	449TC	PEWWE250-18-449TC	\$31,777.26	283	96.2	2498	
300	1800	460	449TC	PEWWE300-18-449TC	\$35,595.45	336.0	96.2	2728	

5

WORLDWIDE
PEWWE Severe Duty

When using any motor with a variable frequency drive, take precautions to eliminate or reduce shaft currents in order to prolong bearing life.

Explosion Proof Motors

TEXP Enclosure ▪ Rigid Base ▪ Three-Phase ▪ 230/460 and 460 Volt

Product Specifications

- 1-300 HP
- 3600, 1800 and 1200 RPM
- 230/460 Volt (1-100 HP)
- 460 Volt (125-300 HP)
- Totally Enclosed Fan Cooled Explosion Proof (TEXP) Enclosure
- IP55 Protection
- 1.15 SF
- Class F Insulation
- Rigid Base
- Premium Efficiency (1-200 HP)
- High Efficiency (250-300 HP)
- Inverter Duty, 5:1 CT / 10:1 VT (1-200 HP only)
- Normally Closed Winding Thermostats Provided
- UL Listed Class 1, Div. 1, Groups C and D; Class 2, Div. 1, Groups F and G; T3C; Inverter Duty (1-200 HP), 40°C amb. temp. as standard
- 143T-215T: Class 1, Div. 1, Groups C and D; T3C; Inverter Duty (1-200 HP); 55°C amb. temp.
- 254T-449T: Class 1, Div. 1, Groups C and D; T2C; Inverter Duty (1-200 HP); 55°C amb. temp.



HP	RPM	Voltage	Frame	Model Number	List Price	FL Amps (A)	FL Eff. (%)	Approx. Wt. (lbs.)	Notes
1	1800	230/460	143T	IXPEWWE1-18-143T	\$985.40	1.4	85.5	62	
	1200	230/460	145T	IXPEWWE1-12-145T	\$1,080.56	1.7	82.5	79	
1.5	3600	230/460	143T	IXPEWWE1.5-36-143T	\$1,001.82	1.9	84.0	73	
	1800	230/460	145T	IXPEWWE1.5-18-145T	\$1,053.21	2.0	86.5	88	
2	1200	230/460	182T	IXPEWWE1.5-12-182T	\$1,208.52	2.1	87.5	115	
	3600	230/460	145T	IXPEWWE2-36-145T	\$1,022.60	2.5	85.5	75	
	1800	230/460	145T	IXPEWWE2-18-145T	\$1,088.21	2.6	86.5	88	
3	1200	230/460	184T	IXPEWWE2-12-184T	\$1,361.81	2.8	88.5	130	
	3600	230/460	182T	IXPEWWE3-36-182T	\$1,303.67	3.5	86.5	115	
	1800	230/460	182T	IXPEWWE3-18-182T	\$1,419.60	3.8	89.5	130	
5	1200	230/460	213T	IXPEWWE3-12-213T	\$1,959.88	4.0	89.5	238	
	3600	230/460	184T	IXPEWWE5-36-184T	\$1,475.88	6.0	88.5	128	
	1800	230/460	184T	IXPEWWE5-18-184T	\$1,434.72	7.0	89.5	183	
7.5	1200	230/460	215T	IXPEWWE5-12-215T	\$2,076.90	7.5	89.5	295	
	3600	230/460	213T	IXPEWWE7.5-36-213T	\$1,935.70	8.3	89.5	253	
	1800	230/460	213T	IXPEWWE7.5-18-213T	\$2,074.72	8.9	91.7	254	
10	1200	230/460	254T	IXPEWWE7.5-12-254T	\$2,715.60	12.5	91.0	386	
	3600	230/460	215T	IXPEWWE10-36-215T	\$2,030.95	11.5	90.2	262	
	1800	230/460	215T	IXPEWWE10-18-215T	\$2,184.08	12.2	91.7	262	
15	1200	230/460	256T	IXPEWWE10-12-256T	\$3,171.67	12.5	91.0	384	
	3600	230/460	254T	IXPEWWE15-36-254T	\$2,610.62	16.5	91.0	401	
	1800	230/460	254T	IXPEWWE15-18-254T	\$2,901.53	17.5	92.4	403	
20	1200	230/460	284T	IXPEWWE15-12-284T	\$4,427.22	22.8	91.7	476	
	3600	230/460	256T	IXPEWWE20-36-256T	\$3,371.81	22.8	91.0	434	
	1800	230/460	256T	IXPEWWE20-18-256T	\$3,289.79	23.0	93.0	428	
25	1200	230/460	286T	IXPEWWE20-12-286T	\$4,860.31	23.5	91.7	520	
	3600	230/460	284TS	IXPEWWE25-36-284TS	\$4,580.33	27.5	91.7	506	
	1800	230/460	284T	IXPEWWE25-18-284T	\$4,250.04	27.5	93.6	558	
	1200	230/460	324T	IXPEWWE25-12-324T	\$5,878.53	29.0	93.0	657	

When using any motor with a variable frequency drive, take precautions to eliminate or reduce shaft currents in order to prolong bearing life.

Section 6: WORLDWIDE Explosion Proof Motors



Explosion Proof Motors (Continued) TEXP Enclosure ▪ Rigid Base ▪ Three-Phase ▪ 230/460 and 460 Volt

HP	RPM	Voltage	Frame	Model Number	List Price	FL Amps (A)	FL Eff. (%)	Approx. Wt. (lbs.)	Notes
30	3600	230/460	286TS	IXPEWWE30-36-286TS	\$4,661.27	32.5	91.7	528	
	1800	230/460	286T	IXPEWWE30-18-286T	\$4,698.45	32.5	93.6	580	
	1200	230/460	326T	IXPEWWE30-12-326T	\$6,776.44	34.5	93.0	739	
40	3600	230/460	324TS	IXPEWWE40-36-324TS	\$6,106.01	44.5	92.4	710	
	1800	230/460	324T	IXPEWWE40-18-324T	\$5,884.00	44.5	94.1	734	
	1200	230/460	364T	IXPEWWE40-12-364T	\$11,566.76	46.0	94.1	911	
50	3600	230/460	326TS	IXPEWWE50-36-326TS	\$7,198.60	54.0	93.0	743	
	1800	230/460	326T	IXPEWWE50-18-326T	\$7,158.13	55.0	94.5	763	
	1200	230/460	365T	IXPEWWE50-12-365T	\$11,589.73	56.5	94.1	899	
60	3600	230/460	364TS	IXPEWWE60-36-364TS	\$10,923.68	65.5	93.6	860	
	1800	230/460	364T	IXPEWWE60-18-364T	\$11,439.90	66.5	95.0	891	
	1200	230/460	404T	IXPEWWE60-12-404T	\$14,432.20	69.0	94.5	1188	
75	3600	230/460	365TS	IXPEWWE75-36-365TS	\$12,342.18	84.5	93.6	946	
	1800	230/460	365T	IXPEWWE75-18-365T	\$12,167.19	86.5	95.4	957	
	1200	230/460	405T	IXPEWWE75-12-405T	\$15,132.16	84.0	94.5	1349	
100	3600	230/460	405TS	IXPEWWE100-36-405TS	\$14,369.62	109	94.1	1393	
	1800	230/460	405T	IXPEWWE100-18-405TBB	\$15,703.88	110	95.4	1426	BB
	1200	230/460	444/5T	IXPEWWE100-12-444/5T	\$23,249.61	117	95.0	1642	
	1200	230/460	444/5T	IXPEWWE100-12-444/5TBB	\$23,249.61	117	95.0	1642	BB
125	3600	460	444/5TS	IXPEWWE125-36-444/5TS	\$23,074.96	130	95.0	1638	
	1800	460	444/5T	IXPEWWE125-18-444/5TBB	\$22,065.69	133	95.4	1640	BB
	1200	460	444/5T	IXPEWWE125-12-444/5TBB	\$23,807.86	135	95.0	1779	BB
150	3600	460	444/5TS	IXPEWWE150-36-444/5TS	\$23,567.99	160	95.0	1830	
	1800	460	444/5T	IXPEWWE150-18-444/5TBB	\$23,829.97	163	95.8	1898	BB
	1200	460	447/9T	IXPEWWE150-12-447/9TBB	\$35,783.10	166	95.8	2174	BB
200	3600	460	444/5TS	IXPEWWE200-36-447/9TS	\$32,550.79	214	95.4	2370	
	1800	460	447/9T	IXPEWWE200-18-447/9TBB	\$32,386.07	217	96.2	2348	BB
	1200	460	447/9T	IXPEWWE200-12-447/9TBB	\$37,157.16	228	95.8	2368	BB
250	1800	460	447/9T	IXPEWWE250-18-447/9TBB	\$36,331.39	275	95.2	2560	BB

6

WORLDWIDE
Explosion Proof

BB Ball bearing on drive-end for direct coupled applications
X High efficiency - not suitable for inverter duty applications

When using any motor with a variable frequency drive, take precautions to eliminate or reduce shaft currents in order to prolong bearing life.

Explosion Proof Motors

TEXP Enclosure ▪ C-Face with Feet ▪ Three-Phase ▪ 230/460 and 460 Volt

Product Specifications

- 2-300 HP
- 3600, 1800 and 1200 RPM
- 230/460 Volt (2-100 HP)
- 460 Volt (125-300 HP)
- Totally Enclosed Fan Cooled Explosion Proof (TEXP) Enclosure
- IP55 Protection
- 1.15 SF
- Class F Insulation
- C-Face with Feet
- Premium Efficiency (2-200 HP)
- High Efficiency (250-300 HP)
- Inverter Duty, 5:1 CT / 10:1 VT (2-200 HP only)
- Normally Closed Winding Thermostats Provided
- UL Listed Class 1, Div. 1, Groups C and D; Class 2, Div. 1, Groups F and G; T3C; Inverter Duty (2-200 HP), 40°C amb. temp. as standard
- 143T-215T: Class 1, Div. 1, Groups C and D; T3C; Inverter Duty (2-200 HP); 55°C amb. temp.
- 254T-449T: Class 1, Div. 1, Groups C and D; T2C; Inverter Duty (2-200 HP); 55°C amb. temp.



HP	RPM	Voltage	Frame	Model Number	List Price	FL Amps (A)	FL Eff. (%)	Approx. Wt. (lbs.)	Notes
2	1800	230/460	145TC	IXPEWWE2-18-145TC	\$1,255.55	2.6	86.5	88	
3	1800	230/460	182TC	IXPEWWE3-18-182TC	\$1,501.63	3.8	89.5	130	
	1200	230/460	213TC	IXPEWWE3-12-213TC	\$2,043.00	4.0	89.5	238	
5	1800	230/460	184TC	IXPEWWE5-18-184TC	\$1,628.76	7.0	89.5	183	
7.5	3600	230/460	213TC	IXPEWWE7.5-36-213TC	\$2,025.07	8.3	89.5	253	
	1800	230/460	213TC	IXPEWWE7.5-18-213TC	\$2,274.86	8.9	91.7	254	
10	3600	230/460	215TC	IXPEWWE10-36-215TC	\$2,120.33	11.5	90.2	262	
	1800	230/460	215TC	IXPEWWE10-18-215TC	\$2,120.33	12.2	91.7	262	
	1200	230/460	256TC	IXPEWWE10-12-256TC	\$3,488.84	12.5	91.0	384	
15	3600	230/460	254TC	IXPEWWE15-36-254TC	\$2,723.26	16.5	91.0	401	
	1800	230/460	254TC	IXPEWWE15-18-254TC	\$3,254.79	17.5	92.4	403	
	1200	230/460	284TC	IXPEWWE15-12-284TC	\$4,869.93	22.8	91.7	476	
20	3600	230/460	256TC	IXPEWWE20-36-256TC	\$3,709.00	22.8	91.0	434	
	1800	230/460	256TC	IXPEWWE20-18-256TC	\$3,402.44	23.0	93.0	428	
25	3600	230/460	284TSC	IXPEWWE25-36-284TSC	\$5,038.36	27.5	91.7	506	
	1800	230/460	284TC	IXPEWWE25-18-284TC	\$4,661.27	27.5	93.6	558	
30	3600	230/460	286TSC	IXPEWWE30-36-286TSC	\$5,127.39	32.5	91.7	528	
	1800	230/460	286TC	IXPEWWE30-18-286TC	\$5,168.30	32.5	93.6	580	
40	3600	230/460	324TSC	IXPEWWE40-36-324TSC	\$6,716.62	44.5	92.4	710	
	1800	230/460	324TC	IXPEWWE40-18-324TC	\$6,472.40	44.5	94.1	734	
50	1800	230/460	326TC	IXPEWWE50-18-326TC	\$7,873.95	55.0	94.5	763	
60	3600	230/460	364TSC	IXPEWWE60-36-364TSC	\$12,016.04	65.5	93.6	860	
	1800	230/460	364TC	IXPEWWE60-18-364TC	\$12,583.88	66.5	95.0	891	
75	1800	230/460	365TC	IXPEWWE75-18-365TC	\$13,992.27	86.5	94.5	957	
100	3600	230/460	405TSC	IXPEWWE100-36-405TSC	\$16,525.06	109	94.1	1393	
	1800	230/460	405TC	IXPEWWE100-18-405TC	\$17,274.26	110	95.4	1426	
125	1800	460	444/5TC	IXPEWWE125-18-444/5TC	\$24,272.25	133	95.4	1640	
150	1800	460	444/5TC	IXPEWWE150-18-444/5TC	\$26,212.97	163	95.8	1898	
200	1800	460	445/7/9TC	IXPEWWE200-18-445/7/9TC	\$35,624.68	217	96.2	2348	

X High efficiency - not suitable for inverter duty applications

When using any motor with a variable frequency drive, take precautions to eliminate or reduce shaft currents in order to prolong bearing life.

Advanced Design Rock Crusher Motors

TEFC Enclosure ▪ Rigid Base ▪ Three-Phase ▪ 230/460 and 460 Volt

Product Specifications

- 250-500 HP
- 1800 and 1200 RPM
- 230/460 Volt (100-200 HP)
- 460 Volt (250-600 HP)
- Totally Enclosed Fan Cooled (TEFC) Enclosure
- IP55 Protection
- 1.15 SF
- Class F Insulation
- Rigid Base
- 4140 High Tensile Strength Steel Shaft
- Premium Efficiency
- Inverter Duty, 10:1 CT / 20:1 VT at 1.0 SF (200-400 HP)
- Inverter Ready, 3:1 CT / 6:1 VT at 1.0 SF (450-500 HP)
- Please Consult WorldWide Electric for 50 Hz Operation



HP	RPM	Voltage	Frame	Model Number	List Price	FL Amps (A)	FL Eff. (%)	Approx. Wt. (lbs.)	Notes
200	1800	230/460	445/7T	PEWWE200-18-445/7T	\$21,547.79	226	96.2	2033	R DD FC
	1800	230/460	445/7T	PEWWE200-18-445/7T-IB	\$24,960.48	226	96.2	2033	IB R DD FC
	1200	460	449T	PEWWE200-12-449T	\$27,699.88	236	95.8	2664	R DD** FC
	1200	460	449T	PEWWE200-12-449T-IB	\$31,180.73	236	95.8	2664	IB R DD** FC
	1200	460	505Z	PEWWE200-12-505Z	\$38,646.24	225	95.8	2470	R DD*
	1200	460	505UZ	PEWWE200-12-505UZ	\$38,646.24	225	95.8	2470	R DD*
250	1800	460	449T	PEWWE250-18-449T	\$30,506.18	280	96.2	2508	R DD** FC
	1800	460	449T	PEWWE250-18-449T-IB	\$33,732.12	280	96.2	2508	IB R DD** FC
	1800	460	505Z	PEWWE250-18-505Z	\$31,368.31	280	96.2	2360	R DD*
	1800	460	505UZ	PEWWE250-18-505UZ	\$31,368.31	280	96.2	2360	R DD*
	1800	460	505UZ	PEWWE250-18-505UZ-IB	\$34,133.28	280	96.2	2360	IB R DD*
	1200	460	449T	PEWWE250-12-449T	\$33,395.40	298	95.8	2750	R DD** FC
	1200	460	449T	PEWWE250-12-449T-IB	\$36,621.34	298	95.8	2750	IB R DD** FC
	1200	460	586/7	PEWWE250-12-586/7	\$46,869.52	287	95.8	3737	R DD** FC
	1200	460	586/7	PEWWE250-12-586/7-IB	\$51,938.85	287	95.8	3737	IB R DD** FC
	1200	460	586/7UZ	PEWWE250-12-586/7UZ	\$46,869.52	287	95.8	3737	R DD** FC
	1800	460	449T	PEWWE300-18-449T	\$34,171.63	336	96.2	2728	R DD** FC
	1800	460	449T	PEWWE300-18-449T-IB	\$37,397.50	336	96.2	2728	IB R DD** FC
300	1800	460	586/7	PEWWE300-18-586/7	\$50,422.60	324	96.2	3873	R DD** FC
	1800	460	586/7	PEWWE300-18-586/7-IB	\$55,491.85	324	96.2	3873	IB R DD** FC
	1800	460	586/7UZ	PEWWE300-18-586/7UZ	\$50,422.60	324	96.2	3873	R DD** FC
	1200	460	449T	PEWWE300-12-449T	\$37,192.12	353	95.8	2977	R DD** FC
	1200	460	449T	PEWWE300-12-449T-IB	\$40,418.00	353	95.8	2977	IB R DD** FC
	1200	460	586/7	PEWWE300-12-586/7	\$53,446.88	341	95.8	4136	R DD** FC
	1200	460	586/7	PEWWE300-12-586/7-IB	\$58,516.13	341	95.8	4136	IB R DD** FC
	1200	460	586/7UZ	PEWWE300-12-586/7UZ	\$53,446.88	341	95.8	4136	R DD** FC
	1200	460	586/7UZ	PEWWE300-12-586/7UZ-IB	\$58,516.13	341	95.8	4136	IB R DD** FC
	1800	460	449T	PEWWE350-18-449T-IB	\$42,574.13	392	96.2	2870	IB R DD** FC
	1800	460	586/7	PEWWE350-18-586/7	\$53,640.95	374	96.2	4070	R DD** FC
	1800	460	586/7	PEWWE350-18-586/7-IB	\$58,710.28	374	96.2	4070	IB R DD** FC
350	1800	460	586/7UZ	PEWWE350-18-586/7UZ-IB	\$58,710.28	374	96.2	4070	IB R DD** FC
	1200	460	449T	PEWWE350-12-449T	\$45,209.48	407	95.8	2930	R DD** FC
	1200	460	449T	PEWWE350-12-449T-IB	\$48,435.06	407	95.8	2930	IB R DD** FC
	1200	460	586/7	PEWWE350-12-586/7	\$56,373.30	398	95.8	4145	R DD** FC
	1200	460	586/7	PEWWE350-12-586/7-IB	\$61,442.49	398	95.8	4145	IB R DD** FC
	1200	460	586/7UZ	PEWWE350-12-586/7UZ	\$56,373.30	398	95.8	4145	R DD** FC
	1800	460	586/7	PEWWE400-18-586/7	\$56,006.54	428.0	96.2	4374	R DD** FC
	1800	460	586/7	PEWWE400-18-586/7-IB	\$61,075.80	428.0	96.2	4374	IB R DD** FC
	1800	460	586/7UZ	PEWWE400-18-586/7UZ	\$56,006.54	428.0	96.2	4374	R DD** FC
	1800	460	586/7UZ	PEWWE400-18-586/7UZ-IB	\$61,075.80	428.0	96.2	4374	IB R DD** FC
	1200	460	586/7	PEWWE400-12-586/7	\$58,515.27	449.0	95.8	4707	R DD** FC
	1200	460	586/7	PEWWE400-12-586/7-IB	\$63,584.31	449.0	95.8	4707	IB R DD** FC
1200	460	586/7UZ	PEWWE400-12-586/7UZ	\$58,515.27	449.0	95.8	4707	R DD** FC	
1200	460	586/7UZ	PEWWE400-12-586/7UZ-IB	\$63,584.31	449.0	95.8	4707	IB R DD** FC	
450	1800	460	586/7	PEWWE450-18-586/7	\$58,542.81	481.0	96.2	4500	R DD**
	1800	460	586/7	PEWWE450-18-586/7-IB	\$62,229.02	481.0	96.2	4500	IB R DD**
	1200	460	586/7	PEWWE450-12-586/7-IB	\$65,518.98	506.0	95.8	4850	IB R ▲ DD**
500	1800	460	586/7	PEWWE500-18-586/7-IB	\$66,876.00	535	96.2	4630	IB R DD**
	1800	460	586/7UZ	PEWWE500-18-586/7UZ	\$61,806.89	535	96.2	4630	R DD**
	1200	460	586/7	PEWWE500-12-586/7	\$62,384.39	562	95.8	4740	R ▲ DD**
	1200	460	586/7	PEWWE500-12-586/7-IB	\$67,453.43	562	95.8	4740	IB R ▲ DD**
	1200	460	586/7UZ	PEWWE500-12-586/7UZ	\$62,384.39	562	95.8	4740	R ▲ DD**
	1200	460	586/7UZ	PEWWE500-12-586/7UZ-IB	\$67,453.43	562	95.8	4740	IB R ▲ DD**

- ▲ 1.0 SF
- BB Ball bearing on drive-end for direct coupled applications
- IB Insulated opposite drive-end bearing installed
- R Roller bearing on drive-end for belted applications
- DD Double drilled feet
- FC F1/F2 convertible

7
WORLDWIDE
Definite Purpose

Oil Well Pump Motors

TEFC Enclosure ▪ Rigid Base ▪ Three-Phase ▪ 230/460/796 Volt

Product Specifications

- 3-150 HP
- 1200 and 900 RPM
- 230/460/796 Volt
- Totally Enclosed Fan Cooled (TEFC) Enclosure
- IP55 Protection
- 1.15 SF
- Class F Insulation
- Rigid Base
- Inverter Duty, 10:1 CT / 20:1 VT
- 3000 Volt Spike Resistant, Inverter Duty Wire
- Motors Meet NEMA MG-1, Part 31
- Three Winding Thermostats Provided (One Per Phase)
- NEMA Design D - High Slip 5-8%
- Cast Iron Construction/Steel Fan Cover
- F2 Mount
- Suitable for 50 Hz with 1.0 SF



HP	RPM	Voltage	Frame	Model Number	List Price	FL Amps (A)	FL Eff. (%)	Approx. Wt. (lbs.)	Notes
3	1200	230/460/796	213T	OW3-12-213T	\$1,283.52	4.0	84.9	143	
	900	230/460/796	215T	OW3-9-215T	\$1,634.37	4.9	84.0	153	
5	1200	230/460/796	215T	OW5-12-215T	\$1,519.95	7.5	87.5	158	
	900	230/460/796	254T	OW5-9-254T	\$2,611.33	7.9	85.6	248	
7.5	1200	230/460/796	254T	OW7.5-12-254T	\$1,902.84	10.7	85.0	251	
	900	230/460/796	256T	OW7.5-9-256T	\$2,757.43	12.4	87.4	272	
10	1200	230/460/796	256T	OW10-12-256T	\$2,589.57	13.9	86.5	286	
	900	230/460/796	284T	OW10-9-284T	\$3,752.65	16.7	87.0	410	
15	1200	230/460/796	284T	OW15-12-284T	\$3,253.87	19.5	87.7	409	
	900	230/460/796	286T	OW15-9-286T	\$4,209.17	22.1	88.0	321	
20	1200	230/460/796	286T	OW20-12-286T	\$3,995.55	25.5	89.9	451	
	900	230/460/796	324T	OW20-9-324T	\$5,067.45	26.3	89.1	631	
25	1200	230/460/796	324T	OW25-12-324T	\$4,672.13	34.6	90.3	550	
	900	230/460/796	326T	OW25-9-326T	\$5,514.84	34.0	89.4	689	
30	1200	230/460/796	326T	OW30-12-326T	\$5,537.28	35.4	91.7	622	
	900	230/460/796	364T	OW30-9-364T	\$6,811.39	39.2	91.1	801	
40	1200	230/460/796	365T	OW40-12-365T	\$7,486.25	47.9	87.4	714	
	900	230/460/796	404T	OW40-9-404T	\$8,071.39	53.6	90.5	989	R
50	1200	230/460/796	404T	OW50-12-404T	\$8,399.20	57.8	91.3	957	R
	900	230/460/796	405T	OW50-9-405T	\$10,993.16	64.2	91.5	1107	R
60	1200	230/460/796	405T	OW60-12-405T	\$8,925.45	78.0	82.4	1058	R
	900	230/460/796	444T	OW60-9-444T	\$12,070.58	80.7	93.3	1257	R
75	1200	230/460/796	444T	OW75-12-444T	\$12,910.30	88.2	93.5	1185	R
	900	230/460/796	445T	OW75-9-445T	\$16,361.92	94.0	93.9	1385	R
100	1200	230/460/796	445T	OW100-12-445T	\$14,596.60	118	92.2	1370	R
	900	230/460/796	447T	OW100-9-447T	\$18,891.09	130	94.9	2033	R
125	1200	230/460/796	447T	OW125-12-447T	\$15,961.52	138	93.5	1766	R
150	1200	230/460/796	449T	OW150-12-449T	\$18,311.28	174	94.5	2064	R

R Roller bearing on drive-end for belted applications

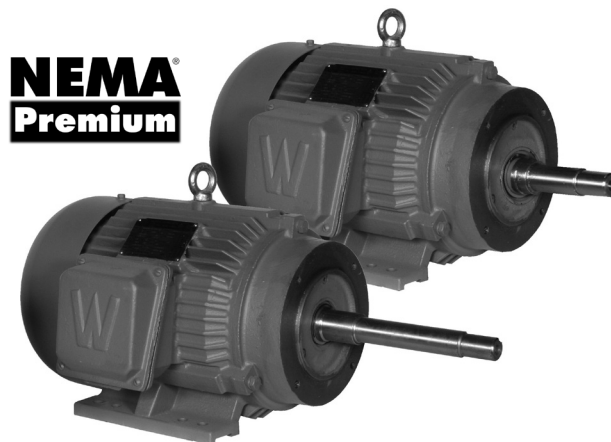
When using any motor with a variable frequency drive, take precautions to eliminate or reduce shaft currents in order to prolong bearing life.

Close Coupled Pump Motors

TEFC Enclosure • C-Face with Feet • Three-Phase • 230/460 Volt

Product Specifications

- 1-50 HP
- 3600 and 1800 RPM
- 230/460 Volt
- Totally Enclosed Fan Cooled (TEFC) Enclosure
- IP55 Protection
- 1.15 SF
- Class F Insulation
- C-Face with Feet
- Premium Efficiency
- Inverter Duty, 10:1 CT / 20:1 VT (1.0 SF)
- Spike Resistant Wire, per NEMA MG-1, Part 31
- Class 1, Division 2, Groups A, B, C, D
- Suitable for 50 Hz, 200/400V with 1.0 SF



7

WORLDWIDE
Definite Purpose

HP	RPM	Voltage	Frame	Model Number	List Price	FL Amps (A)	FL Eff. (%)	Approx. Wt. (lbs.)	Notes
1	1800	230/460	143JM	PEWWE1-18-143JM	\$554.02	1.5	85.5	41	
	1800	230/460	143JP	PEWWE1-18-143JP	\$554.02	1.5	85.5	41	
	3600	230/460	143JM	PEWWE1.5-36-143JM	\$601.91	2.0	84.0	46	
1.5	3600	230/460	143JP	PEWWE1.5-36-143JP	\$601.91	2.0	84.0	46	
	1800	230/460	145JM	PEWWE1.5-18-145JM	\$621.00	2.2	86.5	56	
	1800	230/460	145JP	PEWWE1.5-18-145JP	\$621.00	2.2	86.5	56	
2	3600	230/460	145JM	PEWWE2-36-145JM	\$647.68	2.6	85.5	51	
	3600	230/460	145JP	PEWWE2-36-145JP	\$647.68	2.6	85.5	51	
	1800	230/460	145JM	PEWWE2-18-145JM	\$645.73	2.9	86.5	59	
	1800	230/460	145JP	PEWWE2-18-145JP	\$645.73	2.9	86.5	59	
3	3600	230/460	145JM	PEWWE3-36-145JM	\$845.57	3.8	86.5	57	
	3600	230/460	145JP	PEWWE3-36-145JP	\$845.57	3.8	86.5	57	
	3600	230/460	182JM	PEWWE3-36-182JM	\$845.57	3.8	86.5	81	
	3600	230/460	182JP	PEWWE3-36-182JP	\$845.57	3.8	86.5	81	
	1800	230/460	182JM	PEWWE3-18-182JM	\$1,045.63	4.0	89.5	86	
	1800	230/460	182JP	PEWWE3-18-182JP	\$1,045.63	4.0	89.5	86	
5	3600	230/460	184JM	PEWWE5-36-184JM	\$986.86	6.0	88.5	96	
	3600	230/460	184JP	PEWWE5-36-184JP	\$986.86	6.0	88.5	96	
	1800	230/460	184JM	PEWWE5-18-184JM	\$1,116.81	6.3	89.5	104	
	1800	230/460	184JP	PEWWE5-18-184JP	\$1,116.81	6.3	89.5	104	
7.5	3600	230/460	184JM	PEWWE7.5-36-184JM	\$1,703.52	8.8	89.5	105	
	3600	230/460	184JP	PEWWE7.5-36-184JP	\$1,703.52	8.8	89.5	105	
	3600	230/460	213JM	PEWWE7.5-36-213JM	\$1,703.52	9.0	89.5	160	
	3600	230/460	213JP	PEWWE7.5-36-213JP	\$1,703.52	9.0	89.5	160	
	1800	230/460	213JM	PEWWE7.5-18-213JM	\$1,652.31	9.1	91.7	172	
	1800	230/460	213JP	PEWWE7.5-18-213JP	\$1,652.31	9.1	91.7	172	

When using any motor with a variable frequency drive, take precautions to eliminate or reduce shaft currents in order to prolong bearing life.

Section 7: WORLDWIDE Definite Purpose Motors



Close Coupled Pump Motors (Continued)

TEFC Enclosure ▪ C-Face with Feet ▪ Three-Phase ▪ 230/460 Volt

HP	RPM	Voltage	Frame	Model Number	List Price	FL Amps (A)	FL Eff. (%)	Approx. Wt. (lbs.)	Notes
10	3600	230/460	215JM	PEWWE10-36-215JM	\$1,805.02	11.7	90.2	180	
	3600	230/460	215JP	PEWWE10-36-215JP	\$1,805.02	11.7	90.2	180	
	1800	230/460	215JM	PEWWE10-18-215JM	\$1,808.78	12.0	91.7	193	
	1800	230/460	215JP	PEWWE10-18-215JP	\$1,808.78	12.0	91.7	193	
15	3600	230/460	215JM	PEWWE15-36-215JM	\$2,641.14	17.3	91.0	190	
	3600	230/460	215JP	PEWWE15-36-215JP	\$2,641.14	17.3	91.0	190	
	3600	230/460	254JM	PEWWE15-36-254JM	\$2,641.14	17.5	91.0	261	
	3600	230/460	254JP	PEWWE15-36-254JP	\$2,641.14	17.5	91.0	261	
	1800	230/460	254JM	PEWWE15-18-254JM	\$2,588.07	18.1	92.4	265	
	1800	230/460	254JP	PEWWE15-18-254JP	\$2,588.07	18.1	92.4	265	
20	3600	230/460	256JM	PEWWE20-36-256JM	\$2,850.56	23.1	91.0	297	
	3600	230/460	256JP	PEWWE20-36-256JP	\$2,850.56	23.1	91.0	297	
	1800	230/460	256JM	PEWWE20-18-256JM	\$2,923.58	23.7	93.0	304	
	1800	230/460	256JP	PEWWE20-18-256JP	\$2,923.58	23.7	93.0	304	
25	3600	230/460	256JM	PEWWE25-36-256JM	\$3,426.10	28.7	91.7	309	
	3600	230/460	256JP	PEWWE25-36-256JP	\$3,426.10	28.7	91.7	309	
	3600	230/460	284JM	PEWWE25-36-284JM	\$3,426.10	29.0	91.7	358	
	3600	230/460	284JP	PEWWE25-36-284JP	\$3,426.10	29.0	91.7	358	
	1800	230/460	284JM	PEWWE25-18-284JM	\$3,635.67	29.1	93.6	385	
	1800	230/460	284JP	PEWWE25-18-284JP	\$3,635.67	29.1	93.6	385	
30	3600	230/460	286JM	PEWWE30-36-286JM	\$3,637.57	34.4	91.7	394	
	3600	230/460	286JP	PEWWE30-36-286JP	\$3,637.57	34.4	91.7	394	
	1800	230/460	286JM	PEWWE30-18-286JM	\$3,911.75	34.5	93.6	430	
	1800	230/460	286JP	PEWWE30-18-286JP	\$3,911.75	34.5	93.6	430	
40	3600	230/460	286JM	PEWWE40-36-286JM	\$4,916.37	45.5	92.4	419	
	3600	230/460	286JP	PEWWE40-36-286JP	\$4,916.37	45.5	92.4	419	
	3600	230/460	324JM	PEWWE40-36-324JM	\$4,916.37	46.1	92.4	485	
	3600	230/460	324JP	PEWWE40-36-324JP	\$4,916.37	46.1	92.4	485	
	1800	230/460	324JM	PEWWE40-18-324JM	\$4,916.37	46.3	94.1	531	
	1800	230/460	324JP	PEWWE40-18-324JP	\$4,916.37	46.3	94.1	531	
50	3600	230/460	326JM	PEWWE50-36-326JM	\$5,784.26	56.6	93.0	534	
	3600	230/460	326JP	PEWWE50-36-326JP	\$5,784.26	56.6	93.0	534	
	1800	230/460	326JM	PEWWE50-18-326JM	\$5,837.59	57.6	94.5	578	
	1800	230/460	326JP	PEWWE50-18-326JP	\$5,837.59	57.6	94.5	578	

7
WORLDWIDE
Definite Purpose

When using any motor with a variable frequency drive, take precautions to eliminate or reduce shaft currents in order to prolong bearing life.

Close Coupled Pump Motors

ODP Enclosure ▪ C-Face with Feet ▪ Three-Phase ▪ 230/460 Volt

Product Specifications

- 1-50 HP
- 3600 and 1800 RPM
- 230/460 Volt
- Open Drip Proof (ODP) Enclosure
- Rolled Steel Frame
- IP23 Protection
- 1.15 SF
- Class F Insulation
- C-Face with Feet
- Premium Efficiency
- Inverter Duty, 10:1 VT
- Spike Resistant Wire, per NEMA MG-1, Part 31
- Suitable for 50 Hz with 1.0 SF

NEMA[®]
Premium



HP	RPM	Voltage	Frame	Model Number	List Price	FL Amps (A)	FL Eff. (%)	Approx. Wt. (lbs.)	Notes
1	1800	230/460	143JM	OCCP1-18-143JM	\$523.36	1.3	85.5	33.1	
	1800	230/460	143JP	OCCP1-18-143JP	\$523.36	1.3	85.5	33.1	
1.5	3600	230/460	143JM	OCCP1.5-36-143JM	\$541.72	1.9	84.0	34	
	3600	230/460	143JP	OCCP1.5-36-143JP	\$541.72	1.9	84.0	34	
	1800	230/460	145JM	OCCP1.5-18-145JM	\$562.20	2.1	86.5	34.2	
	1800	230/460	145JP	OCCP1.5-18-145JP	\$562.20	2.1	86.5	34.2	
2	3600	230/460	145JM	OCCP2-36-145JM	\$588.23	2.5	85.5	35	
	3600	230/460	145JP	OCCP2-36-145JP	\$588.23	2.5	85.5	35	
	1800	230/460	145JM	OCCP2-18-145JM	\$596.62	2.7	86.5	38.6	
	1800	230/460	145JP	OCCP2-18-145JP	\$596.62	2.7	86.5	38.6	
3	3600	230/460	145JM	OCCP3-36-145JM	\$728.43	3.6	85.5	42	
	3600	230/460	145JP	OCCP3-36-145JP	\$728.43	3.6	85.5	42	
	1800	230/460	182JM	OCCP3-18-182JM	\$757.50	3.8	89.5	68.3	
5	1800	230/460	182JP	OCCP3-18-182JP	\$757.50	3.8	89.5	68.3	
	3600	230/460	182JM	OCCP5-36-182JM	\$863.39	5.9	86.5	66	
	3600	230/460	182JP	OCCP5-36-182JP	\$863.39	5.9	86.5	66	
	1800	230/460	184JM	OCCP5-18-184JM	\$861.60	6.2	89.5	96.8	
7.5	1800	230/460	184JP	OCCP5-18-184JP	\$861.60	6.2	89.5	96.8	
	3600	230/460	184JM	OCCP7.5-36-184JM	\$1,345.50	8.6	88.5	99	
	3600	230/460	184JP	OCCP7.5-36-184JP	\$1,345.50	8.6	88.5	99	
	1800	230/460	213JM	OCCP7.5-18-213JM	\$1,362.28	9.4	91.0	140.2	
	1800	230/460	213JP	OCCP7.5-18-213JP	\$1,362.28	9.4	91.0	140.2	
10	3600	230/460	213JM	OCCP10-36-213JM	\$1,560.63	11.8	89.5	143	
	3600	230/460	213JP	OCCP10-36-213JP	\$1,560.63	11.8	89.5	143	
	1800	230/460	215JM	OCCP10-18-215JM	\$1,475.11	12.2	91.7	160.6	
	1800	230/460	215JP	OCCP10-18-215JP	\$1,475.11	12.2	91.7	160.6	

When using any motor with a variable frequency drive, take precautions to eliminate or reduce shaft currents in order to prolong bearing life.

Section 7: WORLDWIDE Definite Purpose Motors



Close Coupled Pump Motors (Continued)

ODP Enclosure ▪ C-Face with Feet ▪ Three-Phase ▪ 230/460 Volt

HP	RPM	Voltage	Frame	Model Number	List Price	FL Amps (A)	FL Eff. (%)	Approx. Wt. (lbs.)	Notes
15	3600	230/460	215JM	OCCP15-36-215JM	\$1,996.59	16.9	90.2	144	
	3600	230/460	215JP	OCCP15-36-215JP	\$1,996.59	16.9	90.2	144	
	1800	230/460	254JM	OCCP15-18-254JM	\$2,216.90	17.1	93.0	214.9	
	1800	230/460	254JP	OCCP15-18-254JP	\$2,216.90	17.1	93.0	214.9	
20	3600	230/460	254JM	OCCP20-36-254JM	\$2,339.67	22.1	91.0	247	
	3600	230/460	254JP	OCCP20-36-254JP	\$2,339.67	22.1	91.0	247	
	1800	230/460	256JM	OCCP20-18-256JM	\$2,474.31	22.5	93.0	260.1	
	1800	230/460	256JP	OCCP20-18-256JP	\$2,474.31	22.5	93.0	260.1	
25	3600	230/460	256JM	OCCP25-36-256JM	\$3,009.52	27.0	91.7	270	
	3600	230/460	256JP	OCCP25-36-256JP	\$3,009.52	27.0	91.7	270	
	1800	230/460	284JM	OCCP25-18-284JM	\$3,211.59	30.0	93.6	305	
	1800	230/460	284JP	OCCP25-18-284JP	\$3,211.59	30.0	93.6	305	
30	3600	230/460	284JM	OCCP30-36-284JM	\$3,191.59	33.2	92.5	330	
	3600	230/460	284JP	OCCP30-36-284JP	\$3,191.59	33.2	92.5	330	
	1800	230/460	286JM	OCCP30-18-286JM	\$3,563.86	35.9	94.1	335	
	1800	230/460	286JP	OCCP30-18-286JP	\$3,563.86	35.9	94.1	335	
40	3600	230/460	286JM	OCCP40-36-286JM	\$4,206.65	45.4	92.4	340	
	3600	230/460	286JP	OCCP40-36-286JP	\$4,206.65	45.4	92.4	340	
	1800	230/460	324JM	OCCP40-18-324JM	\$4,591.56	47.9	94.1	445	
	1800	230/460	324JP	OCCP40-18-324JP	\$4,591.56	47.9	94.1	445	
50	3600	230/460	324JM	OCCP50-36-324JM	\$4,795.82	56.1	93.0	407	
	3600	230/460	324JP	OCCP50-36-324JP	\$4,795.82	56.1	93.0	407	
	1800	230/460	326JM	OCCP50-18-326JM	\$4,873.77	58.8	94.5	475	
	1800	230/460	326JP	OCCP50-18-326JP	\$4,873.77	58.8	94.5	475	

7

WORLDWIDE
Definite Purpose

When using any motor with a variable frequency drive, take precautions to eliminate or reduce shaft currents in order to prolong bearing life.

Vertical Hollow Shaft Motors

WPI Enclosure ▪ Vertical P Base ▪ Three-Phase ▪ 230/460 Volt

Product Specifications

- 10 - 500 HP
- 1800 RPM
- 230/460 Volt (10 - 100 HP)
- 460 Volt Only Motors (50 - 500 HP) are Suitable for Part Winding Start (PWS)
- Weather Protected (WPI) Enclosure with Rodent Screens
- IP23 Protection
- 1.15 SF
- Class F Insulation
- Vertical P Base
- Premium Efficiency
- Inverter Duty, 10:1 Variable Torque
- Spike Resistant Wiring per NEMA MG-1 Part 31
- 120 Volt Space Heaters
- Double Thrust Bearing Design (100-500 HP) for Deeper Well Applications
- Winding RTDs (125-500 HP)
- Gray Epoxy Paint for Cooler Surface Temperature
- Standard Coupling Size Included



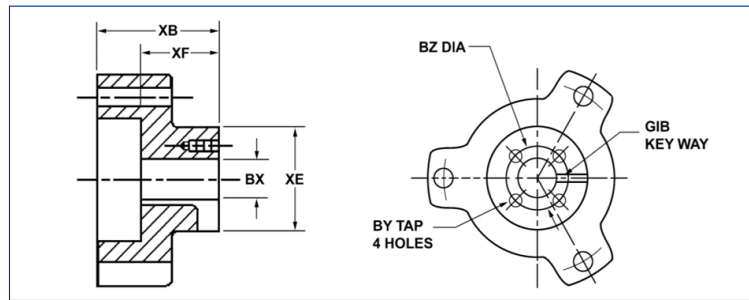
7

WORLDWIDE
Definite Purpose

HP	RPM	Voltage	Frame	Base Size	Model Number	List Price	Down Thrust	FL Amps (A)	FL Eff. (%)	Approx. Wt. (lbs.)	Included Coupling
10	1800	230/460	215TP	10	WPEVHS10-18-215TP-10	\$3,181.95	2500	12.2	91.7	366	MC210-1
15	1800	230/460	254TP	10	WPEVHS15-18-254TP-10	\$3,970.83	3200	17.3	93.0	514	MC250-1
20	1800	230/460	256TP	10	WPEVHS20-18-256TP-10	\$4,521.78	3200	23.5	93.0	527	MC250-1
25	1800	230/460	284TP	12	WPEVHS25-18-284TP-12	\$5,423.38	3200	28.8	93.6	571	MC280-1
30	1800	230/460	286TP	12	WPEVHS30-18-286TP-12	\$5,729.45	3200	34.1	94.1	591	MC280-1
40	1800	230/460	324TP	16.5	WPEVHS40-18-324TP-16.5	\$7,147.21	5500	46.0	94.1	761	MC320-1.25-.25
	1800	230/460	326TP	16.5	WPEVHS50-18-326TP-16.5	\$7,739.92	5500	56.4	94.5	825	MC320-1.25-.25
50	1800	460	326TP	16.5	WPEVHS50-18-460-326TP-16.5	\$7,739.92	5500	56.4	94.5	825	MC320-1.25-.25
	1800	230/460	364TP	16.5	WPEVHS60-18-364TP-16.5	\$8,827.93	5600	68.3	95.0	983	MC360-1.25-.25
60	1800	460	364TP	16.5	WPEVHS60-18-460-364TP-16.5	\$8,827.93	5600	68.3	95.0	983	MC360-1.25-.25
	1800	230/460	365TP	16.5	WPEVHS75-18-365TP-16.5	\$10,939.95	5600	85.0	95.0	1034	MC360-1.25-.25
75	1800	460	365TP	16.5	WPEVHS75-18-460-365TP-16.5	\$10,939.95	5600	85.0	95.0	1034	MC360-1.25-.25
	1800	230/460	404TP	16.5	WPEVHS100-18-404TP-16.5	\$13,708.68	13400	112	95.4	1455	MC400-1.5
100	1800	460	404TP	16.5	WPEVHS100-18-460-404TP-DB-16.5	\$15,090.26	13400	112	95.4	1455	MC400-1.5
	1800	460	405TP	16.5	WPEVHS125-18-460-405TP-16.5	\$14,832.87	13400	139	95.4	1505	MC400-1.5
125	1800	460	405TP	16.5	WPEVHS125-18-460-405TP-DB-16.5	\$16,214.44	13400	139	95.4	1505	MC400-1.5
	1800	460	444TP	16.5	WPEVHS150-18-460-444TP-DB-16.5	\$19,443.70	14400	165	95.8	1984	MC440-1.6875
150	1800	460	445TP	16.5	WPEVHS200-18-460-445TP-DB-16.5	\$27,052.83	14400	221	95.8	2099	MC440-1.6875
	1800	460	445TP	20	WPEVHS200-18-460-445TP-DB-20	\$27,052.83	14400	221	95.8	2099	MC440-1.6875
200	1800	460	445TP	20	WPEVHS250-18-460-445TP-DB-20	\$28,690.42	14400	276	95.8	2206	MC440-1.6875
250	1800	460	5006P	20	WPEVHS300-18-460-5006P-DB-20	\$47,210.30	24000	328	95.8	3609	MC5006/8P-1.6875
300	1800	460	5006P	20	WPEVHS350-18-460-5006P-DB-20	\$50,785.56	24000	379	95.8	3774	MC5006/8P-1.6875
	1800	460	5006P	24.5	WPEVHS350-18-460-5006P-DB-24.5	\$50,785.56	24000	379	95.8	3774	MC5006/8P-1.6875
350	1800	460	5008P	20	WPEVHS400-18-460-5008P-DB-20	\$58,682.40	24000	437	95.8	4149	MC5006/8P-1.9375
	1800	460	5008P	24.5	WPEVHS400-18-460-5008P-DB-24.5	\$58,682.40	24000	437	95.8	4149	MC5006/8P-1.9375
400	1800	460	5008P	20	WPEVHS450-18-460-5008P-DB-20	\$63,133.56	24000	489	96.2	4266	MC5006/8P-2.1875
	1800	460	5008P	24.5	WPEVHS450-18-460-5008P-DB-24.5	\$63,133.56	24000	489	96.2	4266	MC5006/8P-2.1875
450	1800	460	5008P	20	WPEVHS500-18-460-5008P-DB-20	\$67,326.00	24000	544	96.2	4449	MC5006/8P-2.1875
	1800	460	5008P	24.5	WPEVHS500-18-460-5008P-DB-24.5	\$67,326.00	24000	544	96.2	4449	MC5006/8P-2.1875

When using any motor with a variable frequency drive, take precautions to eliminate or reduce shaft currents in order to prolong bearing life.

Vertical Hollow Shaft Motors (Continued)
WVHS Couplings



HP	Frame	Model Number	BX	BY	BZ	XB	XE	XF	SQ (EW)	List Price
10	215TP	MC210-.75	3/4	10-32	1-3/8	1-3/4	2	1-1/8	3/16	\$151.66
		MC210-.875	7/8	10-32	1-3/8	1-3/4	2	1-1/8	3/16	
		MC210-1 *	1	10-32	1-3/8	1-3/4	2	1-1/8	1/4	
15-20	254TP-256TP	MC250-.75	3/4	10-32	1-3/8	2-9/16	2-1/4	1-5/8	3/16	\$180.87
		MC250-.875	7/8	10-32	1-3/8	2-9/16	2-1/4	1-5/8	3/16	
		MC250-1 *	1	10-32	1-3/8	2-9/16	2-1/4	1-5/8	1/4	
		MC250-1.1875	1-3/16	1/4-20	1-3/4	2-9/16	2-1/4	1-5/8	1/4	
		MC250-1.25	1-1/4	1/4-20	1-3/4	2-9/16	2-1/4	1-5/8	1/4	
		MC250-1.25-.375	1-1/4	1/4-20	1-3/4	2-9/16	2-1/4	1-5/8	3/8	
25-30	284TP-286TP	MC280-.75	3/4	10-32	1-3/8	2-9/16	2-1/4	1-5/8	3/16	\$180.87
		MC280-.875	7/8	10-32	1-3/8	2-9/16	2-1/4	1-5/8	3/16	
		MC280-1 *	1	10-32	1-3/8	2-9/16	2-1/4	1-5/8	1/4	
		MC280-1.1875	1-3/16	1/4-20	1-3/4	2-9/16	2-1/4	1-5/8	1/4	
		MC280-1.25-.25	1-1/4	1/4-20	1-3/4	2-9/16	2-1/4	1-5/8	1/4	
		MC280-1.25-.375	1-1/4	1/4-20	1-3/4	2-9/16	2-1/4	1-5/8	3/8	
40-50	324TP-326TP	MC320-1	1	10-32	1-3/8	2-15/16	2-7/8	1-15/16	1/4	\$210.09
		MC320-1.1875	1-3/16	1/4-20	1-3/4	2-15/16	2-7/8	1-15/16	1/4	
		MC320-1.25-.375	1-1/4	1/4-20	1-3/4	2-15/16	2-7/8	1-15/16	3/8	
		MC320-1.25-.25 *	1-1/4	1/4-20	1-3/4	2-15/16	2-7/8	1-15/16	1/4	
		MC320-1.4375	1-7/16	1/4-20	2-1/8	2-15/16	2-7/8	1-15/16	3/8	
		MC320-1.5	1-1/2	1/4-20	2-1/8	2-15/16	2-7/8	1-15/16	3/8	
60-75	364TP-365TP	MC360-1	1	10-32	1-3/8	2-15/16	2-7/8	1-15/16	1/4	\$240.69
		MC360-1.1875	1-3/16	1/4-20	1-3/4	2-15/16	2-7/8	1-15/16	1/4	
		MC360-1.25-.25 *	1-1/4	1/4-20	1-3/4	2-15/16	2-7/8	1-15/16	1/4	
		MC360-1.25-.375	1-1/4	1/4-20	1-3/4	2-15/16	2-7/8	1-15/16	3/8	
		MC360-1.4375	1-7/16	1/4-20	2-1/8	2-15/16	2-7/8	1-15/16	3/8	
		MC360-1.5	1-1/2	1/4-20	2-1/8	2-15/16	2-7/8	1-15/16	3/8	
100-125	404TP-405TP	MC400-1.1875	1-3/16	1/4-20	1-3/4	3-13/32	3-1/8	2-13/32	1/4	\$360.34
		MC400-1.25-.25	1-1/4	1/4-20	1-3/4	3-13/32	3-1/8	2-13/32	1/4	
		MC400-1.25-.375	1-1/4	1/4-20	1-3/4	3-13/32	3-1/8	2-13/32	3/8	
		MC400-1.4375	1-7/16	1/4-20	2-1/8	3-13/32	3-1/8	2-13/32	3/8	
		MC400-1.5 *	1-1/2	1/4-20	2-1/8	3-13/32	3-1/8	2-13/32	3/8	
		MC400-1.5625	1-9/16	1/4-20	2-1/2	3-13/32	3-1/8	2-13/32	3/8	
		MC400-1.6875	1-11/16	1/4-20	2-1/2	3-13/32	3-1/8	2-13/32	3/8	
		MC400-1.8125	1-13/16	1/4-20	2-1/2	3-13/32	3-1/8	2-13/32	3/8	
150-250	444TP-445TP	MC440-1.4375	1-7/16	1/4-20	2-1/8	4.2	3-11/16	2.95	3/8	\$510.60
		MC440-1.5	1-1/2	1/4-20	2-1/8	4.2	3-11/16	2.95	3/8	
		MC440-1.6875 *	1-11/16	1/4-20	2-1/2	4.2	3-11/16	2.95	3/8	
		MC440-1.75	1-3/4	1/4-20	2-1/2	4.2	3-11/16	2.95	3/8	
		MC440-1.9375	1-15/16	1/4-20	2-1/2	4.2	3-11/16	2.95	1/2	
		MC440-2.1875	2-3/16	3/8-16	2-1/4	4.2	3-11/16	2.95	1/2	
300-350	5006P	MC5006/8P-1.5	1-1/2	1/4-20	2-1/2	4.37	4-3/4	3.07	3/8	\$886.27
		MC5006/8P-1.6875 *	1-11/16	1/4-20	2-1/2	4.37	4-3/4	3.07	3/8	
		MC5006/8P-1.75	1-3/4	1/4-20	2-1/2	4.37	4-3/4	3.07	3/8	
		MC5006/8P-1.8125	1-13/16	1/4-20	2-1/2	4.37	4-3/4	3.07	3/8	
400	5008P	MC5006/8P-1.9375 *	1-15/16	1/4-20	2-1/2	4.37	4-3/4	3.07	1/2	\$886.27
450-500	5008P	MC5006/8P-2.1875 *	2-3/16	3/8-16	3-1/4	4.37	4-3/4	3.07	1/2	
400-500	5008P	MC5006/8P-2.001	2	3/8-16	3-1/4	4.37	4-3/4	3.07	1/4	\$886.27
		MC5006/8P-2.251	2-1/4	3/8-16	3-1/4	4.37	4-3/4	3.07	1/2	
		MC5006/8P-2.5	2-1/2	3/8-16	3-1/4	4.37	4-3/4	3.07	5/8	

* Standard coupling size included with each motor

Section 8: LAM IEEE 45 Marine-Duty Motors



Louis Allis LAM Series Motors - IEEE 45 Marine-Duty TEFC Enclosure ▪ Rigid Base ▪ Three-Phase ▪ 230/460 and 460 Volt

Product Specifications

- 1-450 HP
- 3600, 1800, 1200 and 900 RPM
- 60 Hz, 230/460V - Suitable for 208V (1-200 HP)
- 60 Hz, 460V (250-450 HP)
- Totally Enclosed Fan Cooled (TEFC) Enclosure
- IP55 Protection
- 1.25 SF (1-200 HP)
- 1.15 SF (250-450 HP)
- Class F insulation
- Rigid Base
- NEMA Design B
- NEMA Premium Efficiency
- Inverter Duty, 10:1 CT / 20:1 VT (1.0 SF)
- Class 1 Division 2 Groups A,B,C,D in Accordance with NEC
- UR, CE, IEEE 45, CC306B
- Double Vacuum Pressure Impregnation (VPI) Treatment
- Heavy Gauge Rolled Steel Fan Cover
- All Frames Double Punched
- Metal Clad V-Ring on DE, Oil Seal on ODE
- Suitable for 50 Hz, 190/380V with 1.0 SF (1-200 HP)
- Suitable for 50 Hz, 380V with 1.0 SF (250-450 HP)



HP	RPM	Voltage	Frame	Model Number	List Price	FL Amps (A)	FL Eff. (%)	Approx. Wt. (lbs.)	Notes
1	1800	230/460	143T	LAM1-18-143T	\$509.46	1.4	85.5	54	
	1200	230/460	145T	LAM1-12-145T	\$708.68	1.7	82.5	57	
1.5	3600	230/460	143T	LAM1.5-36-143T	\$691.88	1.9	84.0	51	
	1800	230/460	145T	LAM1.5-18-145T	\$628.69	2.1	86.5	55	
	1200	230/460	182T	LAM1.5-12-182T	\$809.69	2.4	87.5	89	
2	3600	230/460	145T	LAM2-36-145T	\$752.25	2.5	85.5	55	
	1800	230/460	145T	LAM2-18-145T	\$666.11	2.7	86.5	58	
	1200	230/460	184T	LAM2-12-184T	\$1,063.44	3.4	88.5	100	
3	3600	230/460	145T	LAM3-36-145T	\$908.38	3.8	86.5	62	
	3600	230/460	182T	LAM3-36-182T	\$908.38	3.7	86.5	87	
	1800	230/460	182T	LAM3-18-182T	\$937.88	3.8	89.5	95	
3	1200	230/460	213T	LAM3-12-213T	\$1,431.69	4.1	89.5	145	
	900	230/460	215T	LAM3-9-215T	\$2,139.18	4.3	85.5	---	
	3600	230/460	184T	LAM5-36-184T	\$1,123.87	5.9	88.5	104	
	1800	230/460	184T	LAM5-18-184T	\$1,098.97	6.2	89.5	113	
5	1200	230/460	215T	LAM5-12-215T	\$1,775.63	6.7	89.5	196	
	900	230/460	254T	LAM5-9-254T	\$3,308.65	8.1	86.5	---	
	3600	230/460	213T	LAM7.5-36-213T	\$1,697.03	8.6	89.5	180	
7.5	1800	230/460	213T	LAM7.5-18-213T	\$1,453.06	8.9	91.7	147	
	1200	230/460	254T	LAM7.5-12-254T	\$2,333.49	9.7	91.0	273	
	900	230/460	256T	LAM7.5-9-256T	\$3,667.43	11.6	86.5	---	
10	3600	230/460	215T	LAM10-36-215T	\$1,761.62	11.6	90.2	192	
	1800	230/460	215T	LAM10-18-215T	\$1,760.28	11.6	91.7	198	
	1200	230/460	256T	LAM10-12-256T	\$2,928.46	13.0	91.0	311	
	900	230/460	284T	LAM10-9-284T	\$4,658.40	14.3	89.5	---	
15	3600	230/460	254T	LAM15-36-254T	\$2,853.61	16.6	91.0	291	
	1800	230/460	254T	LAM15-18-254T	\$2,529.91	17.3	92.4	304	
	1200	230/460	284T	LAM15-12-284T	\$3,677.19	18.4	91.7	449	
	900	230/460	286T	LAM15-9-286T	\$5,421.20	22.4	89.5	---	
20	3600	230/460	256T	LAM20-36-256T	\$3,478.21	22.3	91.0	320	
	1800	230/460	256T	LAM20-18-256T	\$2,906.84	23.2	93.0	332	
	1200	230/460	286T	LAM20-12-286T	\$4,586.46	26.3	91.7	486	
	900	230/460	324T	LAM20-9-324T	\$6,441.36	32.6	90.2	---	
25	3600	230/460	284TS	LAM25-36-284TS	\$4,292.69	28.0	91.7	430	
	1800	230/460	284T	LAM25-18-284T	\$3,791.73	29.8	93.6	420	
	1200	230/460	324T	LAM25-12-324T	\$5,216.32	30.2	93.0	649	
	900	230/460	326T	LAM25-9-326T	\$7,265.51	33.1	90.2	---	
30	3600	230/460	286TS	LAM30-36-286TS	\$4,391.37	33.2	91.7	434	
	1800	230/460	286T	LAM30-18-286T	\$4,295.36	35.7	93.6	449	
	1200	230/460	326T	LAM30-12-326T	\$6,123.50	34.6	93.0	688	
30	900	230/460	364T	LAM30-9-364T	\$10,991.08	40.2	91.7	---	

Louis Allis offers common modifications on LAM Series motors. See LAM Modifications on Page 43.

When using any motor with a variable frequency drive, take precautions to eliminate or reduce shaft currents in order to prolong bearing life.

Section 8: LAM IEEE 45 Marine-Duty Motors



Louis Allis LAM Series Motors - IEEE 45 Marine-Duty (Continued)

TEFC Enclosure ▪ Rigid Base ▪ Three-Phase ▪ 230/460 Volt

HP	RPM	Voltage	Frame	Model Number	List Price	FL Amps (A)	FL Eff. (%)	Approx. Wt. (lbs.)	Notes
40	3600	230/460	324TS	LAM40-36-324TS	\$5,655.41	46.4	92.4	552	
	1800	230/460	324T	LAM40-18-324T	\$5,458.70	47.6	94.1	596	
	1200	230/460	364T	LAM40-12-364T	\$7,610.32	46.2	94.1	825	
	900	230/460	365T	LAM40-9-365T	\$12,142.06	52.8	91.7	---	
50	3600	230/460	326TS	LAM50-36-326TS	\$7,105.52	55.3	93.0	572	
	1800	230/460	326T	LAM50-18-326T	\$6,203.21	58.2	94.5	633	
	1200	230/460	365T	LAM50-12-365T	\$9,979.11	58.3	94.1	1038	
	900	230/460	404T	LAM50-9-404T	\$17,577.61	60.5	92.4	---	R
60	3600	230/460	364TS	LAM60-36-364TS	\$9,743.98	65.7	93.6	790	
	1800	230/460	364T	LAM60-18-364T	\$8,194.15	67.7	95.0	824	
	1200	230/460	404T	LAM60-12-404T	\$11,033.17	70.6	94.5	1126	R
	900	230/460	405T	LAM60-9-405T	\$20,481.29	77.6	92.4	---	R
75	3600	230/460	365TS	LAM75-36-365TS	\$11,668.44	80.8	93.6	949	
	1800	230/460	365T	LAM75-18-365T	\$9,475.10	85.7	95.4	946	
	1200	230/460	405T	LAM75-12-405T	\$11,563.43	83.7	94.5	1212	R
	900	230/460	444T	LAM75-9-444T	\$23,537.37	94.0	93.6	---	R
100	3600	230/460	405TS	LAM100-36-405TS	\$14,048.61	109	94.1	1122	
	1800	230/460	405T	LAM100-18-405T	\$11,701.71	113	95.4	1151	R
	1800	230/460	405T	LAM100-18-405TBB	\$11,701.71	113	95.4	1151	
	1200	230/460	444T	LAM100-12-444T	\$16,366.40	115	95.0	1353	R
	900	230/460	445T	LAM100-9-445T	\$27,032.67	131.0	93.6	---	R
125	3600	230/460	444TS	LAM125-36-444TS	\$18,351.66	129	95.0	1371	
	1800	230/460	444T	LAM125-18-444T	\$16,254.97	136	95.4	1298	R
	1800	230/460	444T	LAM125-18-444TBB	\$16,254.97	136	95.4	1298	
	1200	230/460	445T	LAM125-12-445T	\$19,497.31	141	95.0	1488	R
	900	230/460	445/7T	LAM125-9-445/7T	\$28,036.86	152.3	94.1	---	R
150	3600	230/460	445TS	LAM150-36-445TS	\$21,117.21	161	95.0	1455	
	1800	230/460	445T	LAM150-18-445T	\$17,248.06	164	95.8	1410	R
	1800	230/460	445T	LAM150-18-445TBB	\$17,248.06	164	95.8	1410	
	1200	230/460	447T	LAM150-12-447T	\$24,904.85	170	95.8	1975	R
	900	460	449T	LAM150-9-449T	\$30,695.41	189.8	94.1	---	R
200	3600	230/460	447TS	LAM200-36-447TS	\$28,542.28	217	95.4	1907	
	1800	230/460	445/7T	LAM200-18-445/7T	\$22,923.18	221	96.2	2203	R
	1800	230/460	445/7T	LAM200-18-445/7TBB	\$22,923.18	221	96.2	2203	
	1200	460	449T	LAM200-12-449T	\$29,467.95	231	95.8	2552	R
	900	460	449T	LAM200-9-449T	\$49,664.45	256.0	94.5	---	R
250	3600	460	449TS	LAM250-36-449TS	\$31,657.92	276	95.8	2368	
	1800	460	449T	LAM250-18-449T	\$31,285.43	271	96.2	2530	R
	1800	460	449T	LAM250-18-449TBB	\$31,285.43	271	96.2	2530	
	1200	460	449T	LAM250-12-449T	\$37,076.68	279	95.8	2552	R
	900	460	586/7	LAM250-9-586/7	\$52,735.56	298.6	95.0	---	R
300	3600	460	449TS	LAM300-36-449TS	\$34,030.74	326.7	95.8	2458	
	1800	460	449T	LAM300-18-449T	\$39,725.98	313.0	96.2	2697	R
	1800	460	449T	LAM300-18-449TBB	\$39,725.98	313.0	96.2	2697	
	1800	460	586/7	LAM300-18-586/7	\$52,747.75	338.2	96.2	---	R
	1200	460	449T	LAM300-12-449T	\$42,235.39	337.0	95.8	---	R
	1200	460	586/7	LAM300-12-586/7	\$55,401.42	333.5	95.8	---	R
	900	460	586/7	LAM300-9-586/7	\$58,181.31	370.3	95.0	---	R
350	3600	460	449TS	LAM350-36-449TS	\$35,476.37	383.0	95.8	---	
	3600	460	586/7	LAM350-18-586/7	\$56,034.51	376.0	96.2	---	R
	3600	460	586/7	LAM350-12-586/7	\$57,915.43	374.0	95.8	---	R
400	3600	460	586/7	LAM400-36-586/7	\$58,094.80	425.3	95.9	---	
	1800	460	586/7	LAM400-18-586/7	\$58,757.98	445.0	96.2	4127	R
	1200	460	586/7	LAM400-12-586/7	\$61,139.38	445.0	95.8	---	R
450	3600	460	586/7	LAM450-36-586/7	\$58,094.80	479.5	95.8	---	
	1800	460	586/7	LAM450-18-586/7	\$62,384.75	500.0	96.2	---	R
	1200	460	586/7	LAM450-12-586/7	\$64,247.01	---	---	---	R

R Roller bearing on drive-end for belted applications

Louis Allis offers common modifications on LAM Series motors. See LAM Modifications on Page 43.

When using any motor with a variable frequency drive, take precautions to eliminate or reduce shaft currents in order to prolong bearing life.

80
LOUIS ALLIS
IEEE 45 Marine Duty

Louis Allis LAM Series Motors - IEEE 45 Marine-Duty TEFC Enclosure • C-Face with Feet • Three-Phase • 230/460 Volt

Product Specification

- 1-200 HP
- 3600, 1800, 1200 RPM
- 230/460V, 60 Hz - Suitable for 208V
- Totally Enclosed Fan Cooled (TEFC) Enclosure
- IP55 Protection
- 1.25 SF
- Class F insulation
- C-Face with Feet
- NEMA Design B
- NEMA Premium Efficiency
- Inverter Duty, 10:1 CT / 20:1 VT (1.0 SF)
- Class 1 Division 2 Groups A,B,C,D
in Accordance with NEC UR, CE, IEEE 45, CC306B
- Double Vacuum Pressure Impregnation (VPI) Treatment
- Heavy Gauge Rolled Steel Fan Cover
- All Frames Double Punched
- Metal Clad V-Ring on DE, Oil Seal on ODE
- Suitable for 50 Hz, 190/380V with 1.0 SF



HP	RPM	Voltage	Frame	Model Number	List Price	FL Amps (A)	FL Eff. (%)	Approx. Wt. (lbs.)	Notes
1	1800	230/460	143TC	LAM1-18-143TC	\$530.69	1.4	85.5	54	
	1200	230/460	145TC	LAM1-12-145TC	\$738.22	1.7	82.5	57	
	3600	230/460	143TC	LAM1.5-36-143TC	\$720.70	1.9	84.0	51	
1.5	1800	230/460	145TC	LAM1.5-18-145TC	\$654.90	2.1	86.5	55	
	1200	230/460	182TC	LAM1.5-12-182TC	\$843.41	2.4	87.5	89	
2	3600	230/460	145TC	LAM2-36-145TC	\$783.60	2.5	85.5	55	
	1800	230/460	145TC	LAM2-18-145TC	\$693.86	2.7	86.5	58	
	3600	230/460	145TC	LAM3-36-145TC	\$946.25	3.7	86.5	87	
3	3600	230/460	182TC	LAM3-36-182TC	\$946.25	3.8	89.5	95	
	1800	230/460	182TC	LAM3-18-182TC	\$976.95	4.1	89.5	145	
5	3600	230/460	184TC	LAM5-36-184TC	\$1,170.70	5.9	88.5	104	
	1800	230/460	184TC	LAM5-18-184TC	\$1,144.76	6.2	89.5	113	
	1200	230/460	215TC	LAM5-12-215TC	\$1,849.63	6.7	89.5	196	
7.5	3600	230/460	213TC	LAM7.5-36-213TC	\$1,767.75	8.6	89.5	180	
	1800	230/460	213TC	LAM7.5-18-213TC	\$1,513.62	8.9	91.7	147	
	1200	230/460	254TC	LAM7.5-12-254TC	\$2,430.72	9.7	91.0	273	
10	3600	230/460	215TC	LAM10-36-215TC	\$1,835.02	11.6	90.2	192	
	1800	230/460	215TC	LAM10-18-215TC	\$1,833.64	11.6	91.7	198	
	1200	230/460	256TC	LAM10-12-256TC	\$3,050.47	13.0	91.0	311	
15	3600	230/460	254TC	LAM15-36-254TC	\$2,972.51	16.6	91.0	291	
	1800	230/460	254TC	LAM15-18-254TC	\$2,635.34	17.3	92.4	304	
	1200	230/460	284TC	LAM15-12-284TC	\$3,830.41	18.4	91.7	449	
20	3600	230/460	256TC	LAM20-36-256TC	\$3,623.13	22.3	91.0	320	
	1800	230/460	256TC	LAM20-18-256TC	\$3,027.95	23.2	93.0	332	
	1200	230/460	286TC	LAM20-12-286TC	\$4,777.54	26.3	91.7	486	

Louis Allis offers common modifications on LAM Series motors. See LAM Modifications on Page 43.

When using any motor with a variable frequency drive, take precautions to eliminate or reduce shaft currents in order to prolong bearing life.

Section 8: LAM IEEE 45 Marine-Duty Motors



Louis Allis LAM Series Motors - IEEE 45 Marine-Duty (Continued) TEFC Enclosure ▪ C-Face with Feet ▪ Three-Phase ▪ 230/460 Volt

HP	RPM	Voltage	Frame	Model Number	List Price	FL Amps (A)	FL Eff. (%)	Approx. Wt. (lbs.)	Notes
25	3600	230/460	284TSC	LAM25-36-284TSC	\$4,471.56	28.0	91.7	430	
	1800	230/460	284TC	LAM25-18-284TC	\$3,949.71	29.8	93.6	420	
	1200	230/460	324TC	LAM25-12-324TC	\$5,433.68	30.2	93.0	649	
30	3600	230/460	286TSC	LAM30-36-286TSC	\$4,574.34	33.2	91.7	434	
	1800	230/460	286TC	LAM30-18-286TC	\$4,474.32	35.7	93.6	449	
	1200	230/460	326TC	LAM30-12-326TC	\$6,378.63	34.6	93.0	688	
40	3600	230/460	324TSC	LAM40-36-324TSC	\$5,891.05	46.4	92.4	552	
	1800	230/460	324TC	LAM40-18-324TC	\$5,686.15	47.6	94.1	596	
	1200	230/460	364TC	LAM40-12-364TC	\$7,927.42	46.2	94.1	825	
50	3600	230/460	326TSC	LAM50-36-326TSC	\$7,401.61	55.3	93.0	572	
	1800	230/460	326TC	LAM50-18-326TC	\$6,461.69	58.2	94.5	633	
	1200	230/460	365TC	LAM50-12-365TC	\$10,394.90	58.3	94.1	1038	
60	3600	230/460	364TSC	LAM60-36-364TSC	\$10,149.98	65.7	93.6	790	
	1800	230/460	364TC	LAM60-18-364TC	\$8,535.57	67.7	95.0	824	
	1200	230/460	404TC	LAM60-12-404TC	\$11,492.89	70.6	94.5	1126	
75	3600	230/460	365TSC	LAM75-36-365TSC	\$12,154.63	80.8	93.6	949	
	1800	230/460	365TC	LAM75-18-365TC	\$9,869.91	85.7	95.4	946	
	1200	230/460	405TC	LAM75-12-405TC	\$12,045.22	83.7	94.5	1212	
100	3600	230/460	405TSC	LAM100-36-405TSC	\$14,633.98	109	94.1	1122	
	1800	230/460	405TC	LAM100-18-405TC	\$12,189.30	113	95.4	1151	
	1200	230/460	444TC	LAM100-12-444TC	\$17,048.34	115	95.0	1353	
125	3600	230/460	444TSC	LAM125-36-444TSC	\$19,116.29	129	95.0	1371	
	1800	230/460	444TC	LAM125-18-444TC	\$16,361.17	136	95.4	1298	
	1200	230/460	445TC	LAM125-12-445TC	\$20,309.71	141	95.0	1488	
150	3600	230/460	445TSC	LAM150-36-445TSC	\$21,997.09	161	95.0	1455	
	1800	230/460	445TC	LAM150-18-445TC	\$17,966.73	164	95.8	1410	
	1200	230/460	447TC	LAM150-12-447TC	\$25,942.54	170	95.8	1975	
200	3600	230/460	447TSC	LAM200-36-447TSC	\$29,731.54	217	95.4	1907	
	1800	230/460	445/7TC	LAM200-18-445/7TC	\$23,878.30	221	96.2	2203	
	1200	460	449TC	LAM200-12-449TC	\$30,695.78	231	95.8	2552	

80 LOUIS ALLIS IEEE 45 Marine Duty

LAM Motor C-Flange Kits

Frame Size	Model Number *	List Price	Frame Size	Model Number *	List Price
143T / 145T	LAM140TC	\$62.90	404T / 405T	LAM400TC	\$700.55
182T / 184T	LAM180TC	\$113.75		LAM400TC-L	\$700.55
213T / 215T	LAM210TC	\$136.27	444T / 445T	LAM444/5TC	\$865.66
254T / 256T	LAM250TC	\$282.14		LAM444/5TC-A	\$865.66
284T / 286T	LAM280TC	\$303.80	445T / 447T	LAM445/7TC	\$1,029.43
324T / 326T	LAM320TC	\$353.65	447T / 449T	LAM447/9TC-L	\$1,029.43
	LAM320TC-L	\$353.65		LAM447/9TC-S	\$1,029.43
364T / 365T	LAM360TC	\$462.50			
	LAM360TC-L	\$462.50			

* Please consult WWE for correct Model Number

Louis Allis offers common modifications on LAM Series motors. See LAM Modifications on Page 43.

When using any motor with a variable frequency drive, take precautions to eliminate or reduce shaft currents in order to prolong bearing life.

Section 8: LAM IEEE 45 Marine-Duty Motors



Louis Allis LAM Series Motors - IEEE 45 Marine-Duty TEFC Enclosure • C-Face Round Body • Three-Phase • 230/460 Volt

Product Specifications

- 1-200 HP
- 1800 RPM
- 230/460V, 60 Hz - Suitable for 208V
- Totally Enclosed Fan Cooled (TEFC) Enclosure
- IP55 Protection
- 1.25 SF
- Class F insulation
- C-Face Round Body
- NEMA Design B
- NEMA Premium Efficiency
- Inverter Duty, 10:1 CT / 20:1 VT (1.0 SF)
- Class 1 Division 2 Groups A,B,C,D
in Accordance with NEC UR, CE, IEEE 45, CC306B
- Double Vacuum Pressure Impregnation (VPI) Treatment
- Heavy Gauge Rolled Steel Fan Cover
- Metal Clad V-Ring on DE, Oil Seal on ODE
- Suitable for 50 Hz, 190/380V with 1.0 SF



HP	RPM	Voltage	Frame	Model Number	List Price	FL Amps (A)	FL Eff. (%)	Approx. Wt. (lbs.)	Notes
1	1800	230/460	143TCRD	LAM1-18-143TCRD	\$586.65	1.4	85.5	54	
1.5	1800	230/460	145TCRD	LAM1.5-18-145TCRD	\$674.82	2.1	86.5	55	
2	1800	230/460	145TCRD	LAM2-18-145TCRD	\$724.13	2.7	86.5	58	
3	1800	230/460	182TCRD	LAM3-18-182TCRD	\$1,032.75	4.1	89.5	145	
5	1800	230/460	184TCRD	LAM5-18-184TCRD	\$1,205.25	6.2	89.5	113	
7.5	1800	230/460	213TCRD	LAM7.5-18-213TCRD	\$1,609.63	8.9	91.7	147	
10	1800	230/460	215TCRD	LAM10-18-215TCRD	\$1,917.90	11.6	91.7	198	
15	1800	230/460	254TCRD	LAM15-18-254TCRD	\$2,716.96	17.3	92.4	304	
20	1800	230/460	256TCRD	LAM20-18-256TCRD	\$3,148.18	23.2	93.0	332	
25	1800	230/460	284TCRD	LAM25-18-284TCRD	\$4,131.24	29.8	93.6	420	
30	1800	230/460	286TCRD	LAM30-18-286TCRD	\$4,656.31	35.7	93.6	449	
40	1800	230/460	324TCRD	LAM40-18-324TCRD	\$5,774.82	47.6	94.1	596	
50	1800	230/460	326TCRD	LAM50-18-326TCRD	\$6,693.54	58.2	94.5	633	
60	1800	230/460	364TCRD	LAM60-18-364TCRD	\$8,837.83	67.7	95.0	824	
75	1800	230/460	365TCRD	LAM75-18-365TCRD	\$10,278.52	85.7	95.4	946	
100	1800	230/460	405TCRD	LAM100-18-405TCRD	\$12,789.68	113	95.4	1151	
125	1800	230/460	444TCRD	LAM125-18-444TCRD	\$16,915.82	136	95.4	1298	
150	1800	230/460	445TCRD	LAM150-18-445TCRD	\$18,684.59	164	95.8	1410	
200	1800	230/460	447TCRD	LAM200-18-447TCRD	\$24,653.10	221	96.2	2203	

Louis Allis offers common modifications on LAM Series motors. See LAM Modifications on Page 43.

When using any motor with a variable frequency drive, take precautions to eliminate or reduce shaft currents in order to prolong bearing life.

LAM Modification Program LAM IEEE 45 Marine-Duty Motor Modification Services

Modification Services

- The common modifications listed below are available on LAM IEEE 45 Marine-Duty Motors.
- Modifications are completed by expert craftsmen at Louis Allis' ISO 9001:2015 certified facility in Warrior, Alabama.

Modification Description	Suffix	143T 145T	182T 184T	213T 215T	254T 256T	284T 286T	324T 326T	364T 365T	404T 405T	444T 445T	447T 449T	586/7
C-Flange Install/Remove	C	\$621	\$621	\$621	\$875	\$875	\$875	\$1,242	\$1,242	\$1,580	\$1,580	\$1,806
D-Flange Install/Remove	D	\$621	\$621	\$621	\$875	\$875	\$875	\$1,242	\$1,242	\$1,580	\$1,580	\$1,806
F2 Conversion	F2	\$706	\$706	\$706	\$931	\$931	\$931	\$1,242	\$1,242	\$1,919	\$1,919	\$2,117
Fungus Protection	FP	\$706	\$706	\$706	\$931	\$931	\$931	\$1,242	\$1,242	\$1,919	\$1,919	\$2,117
Roller Bearing To Ball Bearing	BB	\$1,694	\$1,694	\$1,694	\$1,694	\$1,694	\$1,694	\$1,694	\$2,117	\$2,399	\$2,822	\$4,234
Ball Bearing To Roller Bearing	RB	\$2,088	\$2,258	\$2,428	\$2,597	\$2,766	\$2,936	\$3,105	\$3,387	\$4,234	\$5,419	\$7,056
Insulated ODE Bearing	IO	\$3,105	\$3,528	\$3,810	\$4,234	\$4,799	\$5,222	\$5,362	\$5,362	\$5,927	\$7,056	\$7,762
Convert TEFC to TEAO/TENV	TE	\$791	\$791	\$791	\$791	\$791	\$791	\$791	\$1,298	\$1,298	\$1,298	\$1,298
Add Drip Cover (TEFC)	DC	\$610	\$610	\$610	\$791	\$791	\$791	\$791	\$1,062	\$1,062	\$1,062	\$1,062
Install Dynapar HS35 Encoder	EN	\$3,189	\$3,189	\$3,189	\$3,189	\$3,189	\$3,189	\$3,189	\$4,347	\$4,347	\$4,347	\$4,347
Install Aegis Grounding Rings*	AGR	\$582	\$610	\$632	\$729	\$774	\$846	\$891	\$1,338	\$1,620	\$1,620	\$1,931
TS Short Shaft Turn-Down	TS	\$1,045	\$1,045	\$1,045	\$1,045	\$1,045	\$1,045	\$1,298	\$1,298	\$1,552	\$1,552	\$1,552
Machine Custom New Shaft (Single Extension)	NS	\$2,428	\$2,428	\$2,428	\$2,428	\$4,065	\$4,065	\$8,581	\$8,581	\$12,870	\$12,870	\$20,547
Machine Double Extension Shaft**	DS	\$2,682	\$2,682	\$2,682	\$2,682	\$4,600	\$4,600	\$9,370	\$9,370	\$13,378	\$13,378	\$21,055
Install Seal in DE (Brand is a Protec Seal)	SDE	\$1,045	\$1,045	\$1,045	\$1,045	\$1,045	\$1,580	\$1,580	\$1,580	\$1,834	\$1,834	\$1,834
Increase Ingress Protection (TEFC IP65)	IP	\$2,371	\$2,371	\$2,371	\$2,653	\$2,653	\$2,653	\$2,653	\$3,162	\$3,162	\$3,162	\$3,725
Mill Feet for IEEE841 Flatness	FF	\$508	\$508	\$508	\$508	\$762	\$762	\$762	\$1,525	\$1,525	\$1,525	\$1,778
Provisions for Jack Bolts/ Dowel Pins	JB	NA	NA	NA	\$762	\$762	\$762	\$762	\$1,525	\$1,525	\$1,525	\$1,525
Zinc-Epoxy Marine Duty Paint	ZEP	\$1,016	\$1,016	\$1,016	\$1,016	\$1,016	\$1,016	\$1,016	\$1,525	\$1,525	\$1,525	\$1,637
Epoxy Chemical Duty Paint	ECP	\$960	\$960	\$960	\$960	\$960	\$960	\$960	\$1,468	\$1,468	\$1,468	\$1,580
Install (2) 100 Ohm Bearing RTDs	BR	NA	NA	NA	\$960	\$960	\$960	\$1,084	\$1,084	\$2,371	\$2,371	\$2,371
Install (3) 100 Ohm Winding RTDs	WR	NA	NA	NA	\$1,214	\$1,214	\$1,214	\$1,343	\$1,343	\$1,525	\$1,525	\$1,525
Install (1) 120V Heater	SH	NA	NA	NA	\$791	\$791	\$791	\$948	\$948	\$1,129	\$1,129	\$1,129
Install (1) 240V Heater	SH1	NA	NA	NA	\$791	\$791	\$791	\$948	\$948	\$1,129	\$1,129	\$1,129
Install (1) Winding Thermostat (NC)	T1	NA	NA	NA	\$1,214	\$1,214	\$1,214	\$1,343	\$1,343	\$1,525	\$1,525	\$1,525
Install Auxiliary Terminal Box	ATB	NA	NA	NA	\$2,117	\$2,117	\$2,117	\$2,117	\$2,653	\$2,653	\$2,653	\$3,162
Custom Lead Length	CL	\$1,298	\$1,298	\$1,298	\$1,694	\$1,694	\$1,694	\$1,694	\$1,976	\$1,976	\$1,976	\$1,976
Replace Terminal Box with Lead Support Gasket	TBG	\$537	\$537	\$537	\$537	\$537	\$537	\$537	\$819	\$819	\$819	\$819

Modification prices do not include the price of the motor.

* Shaft grounding ring installed on drive end shaft, not suitable for Class I or Class II, Division I or Division II locations.

** Assumes no change to NDE Bearing Size

IEC Aluminum Frame Motors

TEFC Enclosure ▪ Multi-Mount ▪ Three-Phase ▪ 230/460 Volt

Product Specifications

- 1/4-25 HP
- 3600 and 1800 RPM
- 230/460 Volt, 60 Hz
- 190/380 Volt, 50 Hz
- Totally Enclosed Fan Cooled (TEFC) Enclosure
- IP55 Protection
- 1.15 SF (1.0 SF at 50 Hz)
- IEC60034-1
- CE Certified
- IE3 Efficiency at 50 Hz Operation
- Aluminum Frame
- Multi-Mounting Frame Design
F3 Configuration from Stock
- Oil Seal on DE and ODE
- Vacuum Pressure Impregnation (VPI) System
- RAL 6007 Finish Color



HP	kW	RPM	Voltage*	Frame	Model Number	List Price	FL Amps (A)	FL Eff. (%)	Approx. Wt. (kg.)	Notes
1/4	0.19	3600	230/460	63	IEC14-36-63	\$394.81	0.42	65.6	4.5	
		1800	230/460	63	IEC14-18-63	\$407.56	0.55	69.5	5	
1/3	0.25	3600	230/460	63	IEC13-36-63	\$420.30	0.61	69.5	4.5	
		1800	230/460	63	IEC13-18-63	\$443.94	0.77	73.4	5.75	
1/2	0.37	3600	230/460	71	IEC12-36-71	\$462.83	0.80	73.4	6.5	
		1800	230/460	71	IEC12-18-71	\$481.70	0.99	78.2	7.7	
3/4	0.56	3600	230/460	80	IEC34-36-80	\$510.02	1.10	76.8	8.9	
		1800	230/460	80	IEC34-18-80	\$534.17	1.23	81.1	10.3	
1	0.75	3600	230/460	80	IEC1-36-80	\$554.88	1.50	77.0	9.6	
		1800	230/460	80	IEC1-18-80	\$566.76	1.58	83.5	12	
1.5	1.1	3600	230/460	80	IEC1.5-36-80	\$598.40	1.97	84.0	11.7	
		1800	230/460	90S	IEC1.5-18-90	\$577.49	2.11	86.5	15.7	
2	1.5	3600	230/460	90S	IEC2-36-90	\$572.21	2.64	85.5	15.4	
		1800	230/460	90L	IEC2-18-90	\$607.37	3.11	86.5	17.3	
3	2.2	3600	230/460	90L	IEC3-36-90	\$650.11	3.91	86.5	17.5	
		1800	230/460	100L	IEC3-18-100	\$781.92	3.98	89.5	23.8	
4	3.0	3600	230/460	100L	IEC4-36-100	\$859.88	4.90	88.5	25	
		1800	230/460	100L	IEC4-18-100	\$863.00	5.64	89.5	26.4	
5.5	3.7	3600	230/460	112M	IEC5.5-36-112	\$1,049.85	6.43	88.5	31	
		1800	230/460	112M	IEC5.5-18-112	\$1,067.03	6.73	88.6	35.5	
7.5	5.6	3600	230/460	132S	IEC7.5-36-132	\$1,467.08	8.77	89.5	41.7	
		1800	230/460	132S	IEC7.5-18-132	\$1,490.50	9.37	91.7	45.5	
10	7.5	3600	230/460	132S	IEC10-36-132	\$1,608.17	12.08	90.2	46.2	
		1800	230/460	132M	IEC10-18-132	\$1,648.67	13.10	91.7	56.5	
15	11.2	3600	230/460	160M	IEC15-36-160	\$2,531.72	16.62	91.0	85	
		1800	230/460	160M	IEC15-18-160	\$2,687.17	17.29	92.4	88.5	
20	15.0	3600	230/460	160M	IEC20-36-160	\$2,822.10	22.09	91.0	98	
		1800	230/460	160L	IEC20-18-160	\$2,998.72	24.08	93.0	105.5	
25	18.6	3600	230/460	160L	IEC25-36-160	\$2,969.61	27.91	91.7	109.5	

IEC Motor FF-Flanges

Model Number	Frame Size	List Price
IEC63-FF	63	\$35.27
IEC71-FF	71	\$46.32
IEC80-FF	80	\$72.19
IEC90-FF	90	\$76.43
IEC100-FF	100	\$104.11
IEC112-FF	112	\$126.40
IEC132-FF	132	\$166.70
IEC160-FF	160	\$249.04



IEC Motor C-Flanges

Model Number	Frame Size	List Price
IEC63-C	63	\$26.47
IEC71-C	71	\$29.82
IEC80-C	80	\$39.20
IEC90-C	90	\$40.93
IEC100-C	100	\$54.56
IEC112-C	112	\$69.99
IEC132-C	132	\$107.53

HYUNDAI Crown Triton™ Series Motors - G2 Series

TEFC Enclosure ▪ Rigid Base ▪ Three-Phase ▪ 230/460 Volt

Product Specifications

- 1-50 HP
- 3600, 1800 and 1200 RPM
- 230/460 volt, 60 Hz
- 190/380 volt, 50 Hz
- Totally enclosed fan cooled (TEFC) enclosure
- IP55 Protection
- 1.15 SF (1.0 SF for 50Hz applications)
- Class F insulation with Class B temperature rise
- Rigid base
- Premium efficiency
- Inverter Duty per NEMA MG1 Part 31 10:1 CT / 20:1 VT
- Class I, Division 2, Groups A, B, C, D
- Double drilled feet to accommodate mounting flexibility (143T-184T, 324T-326T)
- Cast iron frame with solid feet for reduced vibration
- Rigid cast aluminum conduit box
- Shaft slingers
- NEMA Design B
- IEEE-45 Marine Duty rated
- ABS Type approval
- F2 field convertible



HP	RPM	Voltage	Frame	Model Number	List Price	FL Amps (A)	FL Eff. (%)	Approx. Wt. (lbs.)	Notes
1	1800	230/460	143T	HEE1-18-143T	\$545.03	1.4	85.5	55	
	1200	230/460	145T	HEE1-12-145T	\$662.52	1.6	82.5	55	
2	3600	230/460	145T	HEE2-36-145T	\$640.44	2.6	85.5	55	
	1800	230/460	145T	HEE2-18-145T	\$742.25	2.7	86.5	55	
2	1200	230/460	184T	HEE2-12-184T	\$873.16	3.0	88.5	105	
	3600	230/460	182T	HEE3-36-182T	\$821.18	3.8	86.5	105	
3	1800	230/460	182T	HEE3-18-182T	\$810.86	3.9	89.5	105	
	1200	230/460	213T	HEE3-12-213T	\$1,248.30	4.5	89.5	150	
5	3600	230/460	184T	HEE5-36-184T	\$963.27	6.1	88.5	105	
	1800	230/460	184T	HEE5-18-184T	\$921.32	6.5	89.5	105	
5	1200	230/460	215T	HEE5-12-215T	\$1,463.07	7.4	89.5	175	
	3600	230/460	213T	HEE7.5-36-213T	\$1,290.77	9.0	89.5	150	
7.5	1800	230/460	213T	HEE7.5-18-213T	\$1,240.03	9.8	91.7	150	
	1200	230/460	254T	HEE7.5-12-254T	\$2,356.20	10.3	91.0	240	
10	3600	230/460	215T	HEE10-36-215T	\$1,466.51	12.0	90.2	175	
	1800	230/460	215T	HEE10-18-215T	\$1,494.80	12.8	91.7	175	
10	1200	230/460	256T	HEE10-12-256T	\$2,790.22	13.8	91.0	290	
	3600	230/460	254T	HEE15-36-254T	\$2,556.12	17.0	91.0	240	
15	1800	230/460	254T	HEE15-18-254T	\$2,386.94	18.3	92.4	240	
	1200	230/460	284T	HEE15-12-284T	\$3,879.39	19.8	91.7	360	
20	3600	230/460	256T	HEE20-36-256T	\$2,817.96	23.2	91.0	290	
	1800	230/460	256T	HEE20-18-256T	\$2,793.80	24.8	93.0	290	
20	1200	230/460	286T	HEE20-12-286T	\$4,812.79	26.7	91.7	410	
	3600	230/460	284TS	HEE25-36-284TS	\$4,201.97	28.5	91.7	360	
25	1800	230/460	284T	HEE25-18-284T	\$3,377.87	30.3	93.6	360	
	1200	230/460	324T	HEE25-12-324T	\$5,708.01	31.2	93.0	550	
30	3600	230/460	286TS	HEE30-36-286TS	\$4,299.66	33.8	91.7	410	
	1800	230/460	286T	HEE30-18-286T	\$3,974.08	36.0	93.6	410	
30	1200	230/460	326T	HEE30-12-326T	\$6,446.53	37.1	93.0	550	
	3600	230/460	324TS	HEE40-36-324TS	\$5,501.75	45.5	92.4	550	
40	1800	230/460	324T	HEE40-18-324T	\$5,311.08	48.8	94.1	550	
	3600	230/460	326TS	HEE50-36-326TS	\$6,515.47	55.8	93.0	550	
50	1800	230/460	326T	HEE50-18-326T	\$6,729.40	59.9	94.5	550	

When using any motor with a variable frequency drive, take precautions to eliminate or reduce shaft currents in order to prolong bearing life.

HYUNDAI Crown Triton™ Series Motors - G2 Series
TEFC Enclosure ▪ C-Face with Feet ▪ Three-Phase ▪ 230/460 Volt

Product Specifications

- 1-50 HP
- 3600, 1800 and 1200 RPM
- 230/460 volt, 60 Hz
- 190/380 volt, 50 Hz
- Totally enclosed fan cooled (TEFC) enclosure
- IP55 Protection
- 1.15 SF (1.0 SF for 50Hz applications)
- Class F insulation with Class B temperature rise
- C-Face with Feet
- Premium efficiency
- Inverter Duty per NEMA MG1 Part 31 10:1 CT / 20:1 VT
- Class I, Division 2, Groups A, B, C, D
- Double drilled feet to accommodate mounting flexibility (143T-184T, 324T-326T)
- Cast iron frame with solid feet for reduced vibration
- Rigid cast aluminum conduit box
- Shaft slingers
- NEMA Design B
- IEEE-45 Marine Duty rated
- ABS Type approval
- F2 field convertible



HP	RPM	Voltage	Frame	Model Number	List Price	FL Amps (A)	FL Eff. (%)	Approx. Wt. (lbs.)	Notes
1	1800	230/460	143TC	HEE1-18-143TC	\$567.33	1.4	85.5	55	
	1200	230/460	145TC	HEE1-12-145TC	\$689.81	1.6	82.5	55	
2	3600	230/460	145TC	HEE2-36-145TC	\$667.58	2.6	85.5	55	
	1800	230/460	145TC	HEE2-18-145TC	\$773.22	2.7	86.5	55	
3	3600	230/460	182TC	HEE3-36-182TC	\$855.83	3.8	86.5	105	
	1800	230/460	182TC	HEE3-18-182TC	\$844.35	3.9	89.5	105	
5	3600	230/460	184TC	HEE5-36-184TC	\$1,003.00	6.1	88.5	105	
	1800	230/460	184TC	HEE5-18-184TC	\$959.75	6.5	89.5	105	
	1200	230/460	215TC	HEE5-12-215TC	\$1,523.68	7.4	89.5	175	
7.5	3600	230/460	213TC	HEE7.5-36-213TC	\$1,345.14	9.0	89.5	150	
	1800	230/460	213TC	HEE7.5-18-213TC	\$1,291.97	9.8	91.7	150	
	1200	230/460	254TC	HEE7.5-12-254TC	\$2,454.43	10.3	91.0	240	
10	3600	230/460	215TC	HEE10-36-215TC	\$1,527.26	12.0	90.2	175	
	1800	230/460	215TC	HEE10-18-215TC	\$1,556.61	12.8	91.7	175	
	1200	230/460	256TC	HEE10-12-256TC	\$2,906.64	13.8	91.0	290	
15	3600	230/460	254TC	HEE15-36-254TC	\$2,662.01	17.0	91.0	240	
	1800	230/460	254TC	HEE15-18-254TC	\$2,486.49	18.3	92.4	240	
	1200	230/460	284TC	HEE15-12-284TC	\$4,041.69	19.8	91.7	360	
20	3600	230/460	256TC	HEE20-36-256TC	\$2,935.57	23.2	91.0	290	
	1800	230/460	256TC	HEE20-18-256TC	\$2,910.21	24.8	93.0	290	
	1200	230/460	286TC	HEE20-12-286TC	\$5,014.01	26.7	91.7	410	
25	3600	230/460	284TSC	HEE25-36-284TSC	\$3,623.85	28.5	91.7	360	
	1800	230/460	284TC	HEE25-18-284TC	\$3,518.72	30.3	93.6	360	
	1200	230/460	324TC	HEE25-12-324TC	\$5,945.60	31.2	93.0	550	
30	3600	230/460	286TSC	HEE30-36-286TSC	\$4,475.23	33.8	91.7	410	
	1800	230/460	286TC	HEE30-18-286TC	\$4,140.31	36.0	93.6	410	
	1200	230/460	326TC	HEE30-12-326TC	\$6,715.58	37.1	93.0	550	
40	3600	230/460	324TSC	HEE40-36-324TSC	\$5,733.38	45.5	92.4	550	
	1800	230/460	324TC	HEE40-18-324TC	\$5,532.20	48.8	94.1	550	
50	3600	230/460	326TSC	HEE50-36-326TSC	\$6,787.29	55.8	93.0	550	
	1800	230/460	326TC	HEE50-18-326TC	\$7,009.52	59.9	94.5	550	

When using any motor with a variable frequency drive, take precautions to eliminate or reduce shaft currents in order to prolong bearing life.

HYUNDAI Crown Triton™ Series Motors - G2 Series
TEFC Enclosure ▪ C-Face Round Body ▪ Three-Phase ▪ 230/460 Volt

Product Specifications

- 1-50 HP
- 1800 RPM
- 230/460 volt, 60 Hz
- 190/380 volt, 50 Hz
- Totally enclosed fan cooled (TEFC) enclosure
- IP55 Protection
- 1.15 SF (1.0 SF for 50Hz applications)
- Class F insulation with Class B temperature rise
- C-Face Round Body
- Premium efficiency
- Inverter Duty per NEMA MG1 Part 31 10:1 CT / 20:1 VT
- Class I, Division 2, Groups A, B, C, D
- Cast iron frame
- Rigid cast aluminum conduit box
- Shaft slingers
- NEMA Design B
- IEEE-45 Marine Duty rated
- ABS Type approval



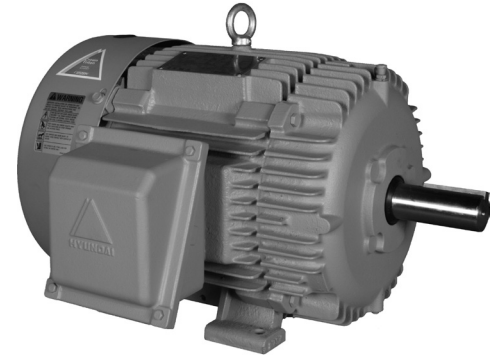
HP	RPM	Voltage	Frame	Model Number	List Price	FL Amps (A)	FL Eff. (%)	Approx. Wt. (lbs.)	Notes
1	1800	230/460	143TC	HEE1-18-143TCRD	\$567.33	1.4	85.5	55	
1.5	1800	230/460	145TC	HEE1.5-18-145TCRD	\$624.08	1.6	82.5	55	
2	1800	230/460	145TC	HEE2-18-145TCRD	\$773.22	2.7	86.5	55	
3	1800	230/460	182TC	HEE3-18-182TCRD	\$844.35	3.9	89.5	105	
5	1800	230/460	184TC	HEE5-18-184TCRD	\$959.75	6.5	89.5	105	
7.5	1800	230/460	213TC	HEE7.5-18-213TCRD	\$1,291.97	9.8	91.7	150	
10	1800	230/460	215TC	HEE10-18-215TCRD	\$1,556.61	12.8	91.7	175	
15	1800	230/460	254TC	HEE15-18-254TCRD	\$2,486.49	18.3	92.4	240	
20	1800	230/460	256TC	HEE20-18-256TCRD	\$2,910.21	24.8	93.0	290	
25	1800	230/460	284TC	HEE25-18-284TCRD	\$3,518.72	30.3	93.6	360	
30	1800	230/460	286TC	HEE30-18-286TCRD	\$4,140.31	36.0	93.6	410	
40	1800	230/460	324TC	HEE40-18-324TCRD	\$5,532.20	48.8	94.1	550	
50	1800	230/460	326TC	HEE50-18-326TCRD	\$7,009.52	59.9	94.5	550	

When using any motor with a variable frequency drive, take precautions to eliminate or reduce shaft currents in order to prolong bearing life.

HYUNDAI Crown Triton™ Series Motors - Severe Duty
TEFC Enclosure ▪ Rigid Base ▪ Three-Phase ▪ 230/460 and 460 Volt

Product Specifications

- 1-250 HP
- 3600, 1800 and 1200 RPM
- 230/460 Volt (1-125 HP)
- 460 Volt (150-600 HP)
- Totally Enclosed Fan Cooled (TEFC) Enclosure
- IP55 Protection
- Dual Rated SF
1.15 for 40°C / 1.0 for 65°C
- Class F Insulation with Class N Varnish
- Rigid Base
- Premium Efficiency
- NEMA Design B
- Inverter Ready, 10:1 CT / 20:1 VT
- Inverter Shield Insulation and Inverter Grade Magnet Wire Meets or Exceeds NEMA MG-1 Part 31 for Exceptional Corona and Transient Protection
- Cast Iron Frame and Conduit Box
- Suitable for Part Winding Start on Low Voltage (1-125 HP)
- Suitable for Wye-Delta Start (15-250 HP)
- Double Drilled Feet to Accommodate Mounting Flexibility (324T-445T)
- F2 Field Convertible (HHI Models Only)
- Suitable for 50 Hz Operation with 1.0 SF
- Class 1, Division 2, Groups A, B, C, D
- All Motors Carry ABS Type Approval



HP	RPM	Voltage	Frame	Model Number	List Price	FL Amps (A)	FL Eff. (%)	Approx. Wt. (lbs.)	Notes
60	3600	230/460	364T	HHI60-36-364T	\$10,430.72	65.6	94.1	780	
	3600	230/460	364TS	HHI60-36-364TS	\$8,635.10	65.6	94.1	780	
	1800	230/460	364T	HHI60-18-364T	\$8,901.82	69.9	95.0	780	
	1800	230/460	364TS	HHI60-18-364TS	\$8,901.82	69.9	95.0	780	
	1200	230/460	404T	HHI60-12-404T	\$11,709.18	71.2	94.5	1120	R
75	3600	230/460	365T	HHI75-36-365T	\$12,098.64	79.8	94.5	820	
	3600	230/460	365TS	HHI75-36-365TS	\$10,016.25	79.8	94.5	820	
	1800	230/460	365T	HHI75-18-365T	\$10,341.82	85.1	95.4	820	
	1800	230/460	365TS	HHI75-18-365TS	\$10,341.82	85.1	95.4	820	
	1200	230/460	405T	HHI75-12-405T	\$14,120.93	87.0	94.5	1220	R
	1200	230/460	405T	HHI75-12-405T-F2	\$14,120.93	87.0	94.5	1220	F2 R
100	3600	230/460	405TS	HHI100-36-405TS	\$13,437.24	110.1	94.5	1110	
	1800	230/460	405T	HHI100-18-405T	\$13,598.76	114.1	95.4	1110	R
	1800	230/460	405T	HHI100-18-405TBB	\$13,598.76	114.1	95.4	1110	BB
	1800	230/460	405TS	HHI100-18-405TSBB	\$13,598.76	114.1	95.4	1110	BB
	1800	230/460	405T	HHI100-18-405T-F2	\$13,598.76	114.1	95.4	1110	F2 R
	1200	230/460	444T	HHI100-12-444T	\$16,972.16	116.6	95.0	1530	R
125	3600	230/460	444TS	HHI125-36-444TS	\$18,486.05	139.5	95.0	1610	
	1800	230/460	444T	HHI125-18-444T	\$17,569.46	142.0	95.4	1530	R
	1800	230/460	444T	HHI125-18-444TBB	\$17,569.46	142.0	95.4	1530	BB
	1800	230/460	444TS	HHI125-18-444TSBB	\$17,569.46	142.0	95.4	1530	BB
	1200	230/460	445T	HHI125-12-445T	\$20,007.47	147.7	95.0	1700	R
150	3600	460	445TS	HHI150-36-445TS	\$20,986.68	161.5	95.0	1770	
	1800	460	445T	HHI150-18-445T	\$20,314.25	163.8	95.8	1700	R
	1800	460	445T	HHI150-18-445TBB	\$20,314.25	163.8	95.8	1700	BB
	1800	460	445TS	HHI150-18-445TSBB	\$20,314.25	163.8	95.8	1700	BB
	1800	460	445T	HHI150-18-445T-F2	\$20,314.25	163.8	95.8	1700	F2 R
	1200	460	447T	HHI150-12-447T	\$23,339.55	169.5	95.8	1860	R
	1200	460	447T	HHI150-12-447T-IB	\$25,817.62	169.5	95.8	1860	IB R
	1200	460	447TS	HHI150-12-447TSBB	\$23,339.55	169.5	95.8	1860	BB

- BB Ball bearing on drive-end for direct coupled applications
- F2 Factory F2 mount
- IB Insulated opposite drive-end bearing installed
- R Roller bearing on drive end for belted applications

When using any motor with a variable frequency drive, take precautions to eliminate or reduce shaft currents in order to prolong bearing life.

HYUNDAI Crown Triton™ Series Motors - Severe Duty (Continued)
TEFC Enclosure ▪ Rigid Base ▪ Three-Phase ▪ 230/460 and 460 Volt

HP	RPM	Voltage	Frame	Model Number	List Price	FL Amps (A)	FL Eff. (%)	Approx. Wt. (lbs.)	Notes
200	3600	460	447TS	HHI200-36-447TS	\$26,116.89	219.3	95.4	1900	
	1800	460	447T	HHI200-18-447T	\$23,519.85	222.4	96.2	1860	R
	1800	460	447T	HHI200-18-447T-IB	\$28,046.52	222.4	96.2	1860	IB R
	1800	460	447T	HHI200-18-447TBB	\$23,519.85	222.4	96.2	1860	BB
	1800	460	447T	HHI200-18-447TBB-IB	\$28,046.52	222.4	96.2	1860	BB IB
	1800	460	447TS	HHI200-18-447TSBB	\$23,519.85	222.4	96.2	1860	BB
	1200	460	449T	HHI200-12-449T	\$28,041.51	231.2	95.8	2430	R
	1200	460	449T	HHI200-12-449T-IB	\$32,787.31	231.2	95.8	2430	IB R
	1200	460	449TS	HHI200-12-449TSBB	\$28,041.51	231.2	95.8	2430	BB
	1200	460	449T	HHI200-12-449T-F2	\$28,041.51	231.2	95.8	2430	F2 R
	250	3600	460	449TS	HHI250-36-449TS	\$35,202.77	276.6	95.8	2430
1800		460	449T	HHI250-18-449T	\$30,284.18	281.7	96.2	2430	R
1800		460	449T	HHI250-18-449TBB	\$30,284.18	281.7	96.2	2430	BB
1800		460	449TS	HHI250-18-449TSBB	\$30,284.18	281.7	96.2	2430	BB

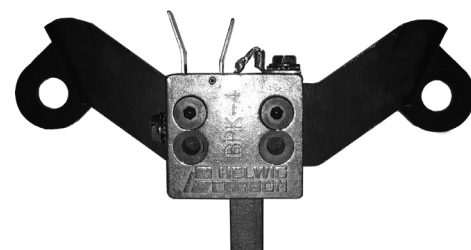
Frame Size	Model Number	List Price
143T / 145T	H140TC	\$340.66
182T / 184T	H180TC	\$371.68
213T / 215T	H210TC	\$465.35
254T / 256T	H250TC	\$1,032.72
284T / 286T	H280TC	\$1,092.98
324T / 326T	H320TC	\$1,341.15
364T / 365T (2 Pole)	H3602PTC	\$1,940.87
364T / 365T (4/6 Pole)	H360TC	\$1,664.95
404T / 405T (2 Pole)	H4002PTC	\$1,586.12
404T / 405T (4/6 Pole)	H400TC	\$2,641.20
444T / 445T (2 Pole)	H4402PTC	\$2,947.28
444T / 445T (4/6 Pole)	H440TC	\$1,940.87
447T (2 Pole)	H4402PTC	\$2,947.28
447T (4/6 Pole)	H447TC	\$1,940.87
449T (2 Pole)	H4402PTC	\$2,947.28
449T (4/6 Pole)	H449TC	\$1,940.87

Frame Size	Model Number	List Price
143T / 145T	---	---
182T / 184T	---	---
213T / 215T	---	---
254T / 256T	H250TD	\$1,126.98
284T / 286T	H280TD	\$1,205.73
324T / 326T	H320TD	\$1,458.09
364T / 365T (2 Pole)	H3602PTD	\$1,743.77
364T / 365T (4/6 Pole)	H360TD	\$1,834.22
404T / 405T (2 Pole)	H4002PTD	\$2,138.00
404T / 405T (4/6 Pole)	H400TD	\$2,138.00
444T / 445T (2 Pole)	H4402PTD	\$3,241.77
444T / 445T (4/6 Pole)	H445TD	\$2,907.85
447T (2 Pole)	H4402PTD	\$3,241.77
447T (4/6 Pole)	H449TD	\$2,907.85
449T (2 Pole)	H4402PTD	\$3,241.77
449T (4/6 Pole)	H449TD	\$2,907.85

Helwig Carbon® The Bearing Protector™

- For use on Hyundai Crown Triton™ Series Motors
- Divert current from motor shaft
- Provides lowest resistant path to ground
- Easy to install - Simply remove top two bearing cap bolts
- Includes integral bracket for easy mounting

Frame Size	Model Number	List Price
364T / 365T / 444/5TS / 445/7TS / 449TS	SGK-HHI-364/5T-440TS	\$1,739.14
404 / 405T	SGK-HHI-404/5T	\$1,739.14
444T / 445T / 447T / 449T	SGK-HHI-440T	\$1,739.14



* Installation of this product will result in loss of Class I Division 2 Classification from motor - please contact WWE for new motor nameplate at a cost of \$25 net.

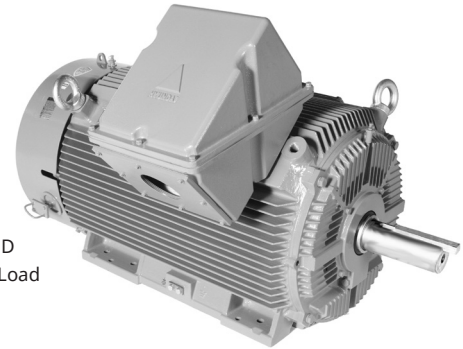
- BB Ball bearing on drive-end for direct coupled applications
- F2 Factory F2 mount
- IB Insulated opposite drive-end bearing installed
- R Roller bearing on drive end for belted applications

When using any motor with a variable frequency drive, take precautions to eliminate or reduce shaft currents in order to prolong bearing life.

HYUNDAI Crown Triton™ Series Motors - Severe Duty Large Frame
TEFC Enclosure ▪ Rigid Base ▪ Three-Phase ▪ 460 Volt

Product Specifications

- 250-800 HP
- 3600, 1800 and 1200 RPM
- Single Voltage, 460 Volt
- Dual Frequency Rated 50/60 Hz Nameplate
- Totally Enclosed Fan Cooled (TEFC) Enclosure
- IP55 Protection
- 1.15 SF, 40°C Ambient
- Class F Insulation with Class N Varnish
- Class B Temperature Rise
- Rigid Base
- Premium Efficiency
- Cast Iron Frame and Conduit Box
- Heavy Gauge Rolled Steel Fan Cover
- Ground Lug in Terminal Box
- Cast Iron Inner Bearing Caps
- Double Drilled Feet
- Bi-Directional for 1800 and 1200 RPM Ratings
- Uni-Directional (CCW) for 3600 RPM Ratings, Each Motor Shipped with Extra Fan for Directional Change
- CSA Certified for Class 1, Division 2, Groups A, B, C, D
- Inverter Duty, 10:1 VT at Full Load / 20:1 VT at 50% Load 4:1 CT at Full Load / 10:1 CT for 1 Hour Cycle
- Inverter Shield Insulation and Inverter Grade Magnet Wire Meets or Exceeds NEMA MG-1 Part 31 for Exceptional Corona and Transient Protection



HP	RPM	Voltage	Frame	Model Number	List Price	FL Amps (A)	FL Eff. (%)	Approx. Wt. (lbs.)	Notes
250	1200	460	L449T	HSDE250-12-L449T	\$39,018.20	296.3	95.8	2890	R
	1200	460	L449T	HSDE250-12-L449T-IB	\$42,748.47	296.3	95.8	2890	IB R
300	3600	460	L449TS	HSDE300-36-L449TS-IB	\$52,696.77	327.5	95.8	2890	IB
	1800	460	L449T	HSDE300-18-L449TBB-IB	\$42,405.36	333.6	96.2	2890	BB IB
	1200	460	L449T	HSDE300-12-L449T-IB	\$45,727.42	353.9	95.8	3090	IB R
350	3600	460	L449TS	HSDE350-36-L449TS-IBSH	\$53,114.36	378.5	95.8	3090	IB SH
	3600	460	L449TS	HSDE350-36-L449TS-IBBRSRSHSP	\$64,674.30	378.5	95.8	3090	IB BR SR SH SP
	1800	460	L449T	HSDE350-18-L449T	\$44,866.87	385.5	96.2	3090	R
	1800	460	L449T	HSDE350-18-L449TBB-IB	\$50,529.56	385.5	96.2	3090	BB IB
	1200	460	5008	HSDE350-12-5008-IB	\$68,314.41	405.5	95.8	3880	IB R
400	3600	460	L449TS	HSDE400-36-L449TS	\$61,505.00	436.7	95.8	3770	IB SH
	3600	460	L449TS	HSDE400-36-L449TS-IBSH	\$61,505.00	436.7	95.8	3770	IB SH
	1800	460	L449T	HSDE400-18-L449TBB-IB	\$59,598.71	444.8	96.2	3570	BB IB
450	3600	460	5009S	HSDE450-36-5009S-IBBRSRSHSP	\$80,877.62	487.7	95.8	3860	IB BR SR SH SP
	1800	460	5009	HSDE450-18-5009BB-IB	\$70,371.76	491.1	96.2	3970	BB IB
	1800	460	5009	HSDE450-18-5009BB-IBSH	\$71,358.48	491.1	96.2	3970	BB IB SH
	1200	460	5011	HSDE450-12-5011-IB	\$84,436.33	522.5	95.8	4850	IB R
	3600	460	5010S	HSDE500-36-5010S	\$73,468.40	545.9	95.8	4740	W
500	3600	460	5010S	HSDE500-36-5010S-IBH	\$75,771.20	545.9	95.8	4740	IB W
	3600	460	5010S	HSDE500-36-5010S-IBBRSRSHSP	\$85,587.09	545.9	95.8	4740	IB BR SR SH SP
	1800	460	5010	HSDE500-18-5010	\$70,653.01	549.7	96.2	4760	R
	1800	460	5010	HSDE500-18-5010BB-IB	\$74,994.84	549.7	96.2	4760	BB IB W
600	3600	460	5812	HSDE600-36-5812-IB	\$83,095.62	657.8	95.4	6340	IB
700	3600	460	5812	HSDE700-36-5812-IBBRSRSHSP	\$88,760.15	768.4	95.8	6730	IB BR SR SH SP
800	3600	460	5812	HSDE800-36-5812-2IBBRSRSHSPVP	\$103,110.49	883.2	95.8	6730	2IB BR SR SH SP VP

Helwig Carbon® The Bearing Protector™

- For use on Hyundai Crown Triton™ Series Motors
- Divert current from motor shaft
- Provides lowest resistant path to ground
- Easy to install - Simply remove top two bearing cap bolts
- Includes integral bracket for easy mounting

Frame Size	Model Number	List Price
L449T	SGK-HSD-L449T	\$1,739.14
L449TS	SGK-HSD-L449TS	\$1,739.14
5008 / 5009 / 5010 / 5011	SGK-HSD-5000T	\$1,739.14
5008S / 5009S / 5010S / 5011S	SGK-HSD-5000TS	\$1,739.14

* Installation of this product will result in loss of Class 1 Division 2 Classification from motor - please contact WWE for new motor nameplate at a cost of \$25 net.

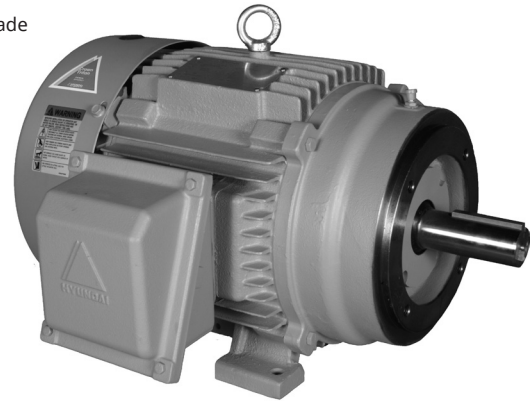
- BB Ball bearing on drive-end for direct coupled applications
- IB Insulated opposite drive-end bearing installed
- R Roller bearing on drive-end for belted applications
- SH Space heater installed (120 Volt)
- W Winding RTDs provided (two per phase)
- 2IB Insulated bearings on drive-end and opposite drive-end
- BR Bearing RTDs, 1 per bearing
- SR Winding RTDs, 2 per phase
- SP Special paint color
- VP Vibration provisions

When using any motor with a variable frequency drive, take precautions to eliminate or reduce shaft currents in order to prolong bearing life.

HYUNDAI Crown Triton™ Series Motors - Severe Duty
TEFC Enclosure ▪ C-Face with Feet ▪ Three-Phase ▪ 230/460 and 460 Volt

Product Specifications

- 60-200 HP
- 3600, 1800 and 1200 RPM
- 230/460 Volt (60-125 HP)
- 460 Volt (150-200 HP)
- Totally Enclosed Fan Cooled (TEFC) Enclosure
- IP55 Protection
- Dual Rated SF 1.15 for 40°C / 1.0 for 65°C
- Class F Insulation with Class N Varnish
- C-Face with Feet
- Premium Efficiency
- NEMA Design B
- Inverter Ready, 10:1 CT / 20:1 VT
- Inverter Shield Insulation and Inverter Grade Magnet Wire Meets or Exceeds NEMA MG-1 Part 31 for Exceptional Corona and Transient Protection (364TC and up)
- Cast Iron Frame and Conduit Box
- Suitable for Part Winding Start on Low Voltage (60-125 HP)
- Suitable for Wye-Delta Start (60-200 HP)
- Double Drilled Feet to Accommodate Mounting Flexibility (364TC-445TC)
- F2 Field Convertible
- Suitable for 50 Hz Operation with 1.0 SF
- Class 1, Division 2, Groups A, B, C, D
- All Motors Carry ABS Type Approval



HP	RPM	Voltage	Frame	Model Number	List Price	FL Amps (A)	FL Eff. (%)	Approx. Wt. (lbs.)	Notes
60	1800	230/460	364TC	HHI60-18-364TC	\$9,272.46	69.9	95.0	780	
	1200	230/460	404TC	HHI60-12-404TC	\$12,197.56	71.2	94.5	1120	
75	1800	230/460	365TC	HHI75-18-365TC	\$10,772.58	85.1	95.4	820	
	1800	230/460	365TSC	HHI75-18-365TSC	\$10,772.58	85.1	95.4	820	
	1200	230/460	405TC	HHI75-12-405TC	\$14,709.46	87.0	94.5	1220	
	3600	230/460	405TSC	HHI100-36-405TSC	\$13,996.96	110.1	94.5	1110	
100	1800	230/460	405TC	HHI100-18-405TC	\$14,166.00	114.1	95.4	1110	
	1800	230/460	405TC	HHI100-18-405TC-F2	\$14,166.00	114.1	95.4	1110	F2
	1800	230/460	405TSC	HHI100-18-405TSC	\$14,166.00	114.1	95.4	1110	
	1200	230/460	444TC	HHI100-12-444TC	\$17,679.64	116.6	95.0	1530	
125	1800	230/460	444TC	HHI125-18-444TC	\$18,301.98	142.0	95.4	1530	
	1800	230/460	444TSC	HHI125-18-444TSC	\$18,301.98	142.0	95.4	1530	
	1200	230/460	445TC	HHI125-12-445TC	\$20,841.42	147.7	95.0	1700	
150	1800	460	445TC	HHI150-18-445TC	\$21,160.74	163.8	95.8	1700	
	1800	460	445TC	HHI150-18-445TC-F2	\$21,160.74	163.8	95.8	1700	F2
	1800	460	445TSC	HHI150-18-445TSC	\$21,160.74	163.8	95.8	1700	
	1200	460	447TC	HHI150-12-447TC	\$24,312.50	169.5	95.8	1860	
200	1800	460	447TC	HHI200-18-447TC	\$24,500.31	222.4	96.2	1860	
	1800	460	447TSC	HHI200-18-447TSC	\$24,500.31	222.4	96.2	1860	
	1200	460	449TC	HHI200-12-449TC	\$29,209.80	231.2	95.8	2430	

F2 Factory F2 mount

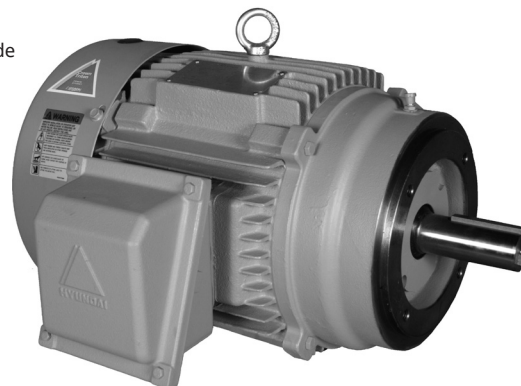
When using any motor with a variable frequency drive, take precautions to eliminate or reduce shaft currents in order to prolong bearing life.

HYUNDAI Crown Triton™ Series Motors - Severe Duty

TEFC Enclosure • C-Face Round Body (Footless) • Three-Phase • 230/460 Volt

Product Specifications

- 1-200 HP
- 1800 RPM
- 230/460 Volt
- Totally Enclosed Fan Cooled (TEFC) Enclosure
- IP55 Protection
- Dual Rated SF
1.15 for 40°C / 1.0 for 65°C
- Class F Insulation with Class N Varnish
- C-Face Round Body (Footless)
- Premium Efficiency
- NEMA Design B
- Inverter Ready, 10:1 CT / 20:1 VT
- Inverter Shield Insulation and Inverter Grade Magnet Wire Meets or Exceeds NEMA MG-1 Part 31 for Exceptional Corona and Transient Protection (254TC and up)
- Cast Iron Frame and Conduit Box
- Suitable for Part Winding Start on Low Voltage (1-125 HP)
- Suitable for Wye-Delta Start (15-200 HP)
- Suitable for 50 Hz Operation with 1.0 SF
- Class 1, Division 2, Groups A, B, C, D
- All Motors Carry ABS Type Approval



HP	RPM	Voltage	Frame	Model Number	List Price	FL Amps (A)	FL Eff. (%)	Approx. Wt. (lbs.)	Notes
1	1800	230/460	143TC	HHI1-18-143TCRD	\$573.50	1.6	85.5	53	
1.5	1800	230/460	145TC	HHI1.5-18-145TCRD	\$631.09	2.2	86.5	55	
2	1800	230/460	145TC	HHI2-18-145TCRD	\$781.36	3.0	86.5	55	
3	1800	230/460	182TC	HHI3-18-182TCRD	\$852.73	3.9	89.5	90	
5	1800	230/460	184TC	HHI5-18-184TCRD	\$969.19	6.5	89.5	105	
7.5	1800	230/460	213TC	HHI7.5-18-213TCRD	\$1,308.53	9.5	91.7	150	
10	1800	230/460	215TC	HHI10-18-215TCRD	\$1,576.49	12.8	91.7	165	
15	1800	230/460	254TC	HHI15-18-254TCRD	\$2,376.65	18.3	92.4	260	
20	1800	230/460	256TC	HHI20-18-256TCRD	\$2,786.11	24.8	93.0	300	
25	1800	230/460	284TC	HHI25-18-284TCRD	\$3,378.39	30.3	93.6	380	
30	1800	230/460	286TC	HHI30-18-286TCRD	\$3,774.10	36.0	93.6	410	
40	1800	230/460	324TC	HHI40-18-324TCRD	\$5,043.81	48.8	94.1	626	
50	1800	230/460	326TC	HHI50-18-326TCRD	\$6,392.41	59.9	94.5	620	
60	1800	230/460	364TC	HHI60-18-364TCRD	\$9,272.46	69.9	95.0	780	
75	1800	230/460	365TC	HHI75-18-365TCRD	\$10,772.58	85.1	95.4	820	
100	1800	230/460	405TC	HHI100-18-405TCRD	\$14,166.00	114.1	95.4	1110	
125	1800	230/460	444TC	HHI125-18-444TCRD	\$18,301.98	142.0	95.4	1530	
150	1800	230/460	445TC	HHI150-18-445TCRD	\$21,160.74	163.8	95.8	1700	
200	1800	230/460	447TC	HHI200-18-447TCRD	\$24,500.31	222.4	96.2	1860	

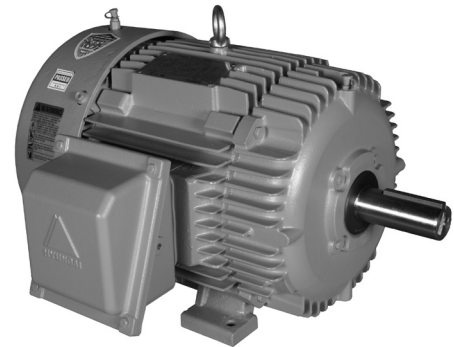
When using any motor with a variable frequency drive, take precautions to eliminate or reduce shaft currents in order to prolong bearing life.

HYUNDAI Crown Triton™ Series Motors - IEEE-841

TEFC Enclosure ▪ Rigid Base ▪ Three-Phase ▪ 460 Volt

Product Specifications

- 1-250 HP
- 3600, 1800 and 1200 RPM
- Single Voltage, 460 Volt
- Totally Enclosed Fan Cooled (TEFC) Enclosure
- IP55 rating with ABS Type approval
- Suitable for IP56 without ABS approval
- Dual Rated SF 1.15 for 40°C / 1.0 for 65°C
- Class F Insulation with Class N Varnish
- Rigid Base
- Full Compliance with IEEE-841 Standard
- Premium Efficiency
- Class B Temperature Rise
- NEMA Design B
- Parker Hannifin ProTech IP66 Labyrinth Seals on Both Drive-End and Opposite Drive-End Bearings
- Inverter Duty, 10:1 CT / 20:1 VT
- Inverter Shield Insulation and Inverter Grade Magnet Wire Meets or Exceeds NEMA MG-1 Part 31 for Exceptional Corona and Transient Protection
- IEEE-841 Motor Test Report Supplied with Each Motor
- Suitable for 50 Hz Operation with 1.0 SF
- Class 1, Division 2, Groups A, B, C, D
- All Motors Carry ABS Type Approval



HP	RPM	Voltage	Frame	Model Number	List Price	FL Amps (A)	FL Eff. (%)	Approx. Wt. (lbs.)	Notes
1	1800	460	143T	IEEE1-18-143T	\$1,108.17	1.6	85.5	53	
	1200	460	145T	IEEE1-12-145T	\$1,321.07	1.8	82.5	55	
1.5	3600	460	143T	IEEE1.5-36-143T	\$1,214.62	2.0	84.0	53	
	1800	460	145T	IEEE1.5-18-145T	\$1,184.56	2.2	86.5	55	
	1200	460	182T	IEEE1.5-12-182T	\$1,440.01	2.3	87.5	90	
2	3600	460	145T	IEEE2-36-145T	\$1,272.21	2.6	85.5	55	
	1800	460	145T	IEEE2-18-145T	\$1,279.73	3.0	86.5	55	
	1200	460	184T	IEEE2-12-184T	\$1,690.44	3.0	88.5	105	
3	3600	460	182T	IEEE3-36-182T	\$1,571.49	3.8	86.5	90	
	1800	460	182T	IEEE3-18-182T	\$1,567.75	3.9	89.5	90	
	1200	460	213T	IEEE3-12-213T	\$2,162.52	4.5	89.5	150	
5	3600	460	184T	IEEE5-36-184T	\$1,759.32	6.1	88.5	105	
	1800	460	184T	IEEE5-18-184T	\$1,781.87	6.5	89.5	105	
	1200	460	215T	IEEE5-12-215T	\$2,479.33	7.4	89.5	165	
7.5	3600	460	213T	IEEE7.5-36-213T	\$2,177.55	9.0	89.5	150	
	1800	460	213T	IEEE7.5-18-213T	\$2,193.83	9.5	91.7	150	
	1200	460	254T	IEEE7.5-12-254T	\$3,507.38	10.3	91.0	260	
10	3600	460	215T	IEEE10-36-215T	\$2,384.15	12.0	90.2	165	
	1800	460	215T	IEEE10-18-215T	\$2,421.72	12.8	91.7	165	
	1200	460	256T	IEEE10-12-256T	\$4,013.25	13.8	91.0	300	
15	3600	460	254T	IEEE15-36-254T	\$3,556.21	16.9	91.7	260	
	1800	460	254T	IEEE15-18-254T	\$3,293.25	18.3	92.4	260	
	1200	460	284T	IEEE15-12-284T	\$5,053.83	19.8	91.7	380	
20	3600	460	256T	IEEE20-36-256T	\$3,959.42	23.1	91.7	300	
	1800	460	256T	IEEE20-18-256T	\$3,849.22	24.8	93.0	300	
	1200	460	286T	IEEE20-12-286T	\$5,353.10	26.7	91.7	390	
25	3600	460	284TS	IEEE25-36-284TS	\$4,417.70	28.5	91.7	380	
	1800	460	284T	IEEE25-18-284T	\$4,561.72	30.3	93.6	380	
	1200	460	324T	IEEE25-12-324T	\$6,199.58	31.2	93.0	550	
30	3600	460	286TS	IEEE30-36-286TS	\$4,668.15	33.8	91.7	410	
	1800	460	286T	IEEE30-18-286T	\$5,121.45	36.0	93.6	410	
	1200	460	326T	IEEE30-12-326T	\$7,223.88	37.1	93.0	560	

When using any motor with a variable frequency drive, take precautions to eliminate or reduce shaft currents in order to prolong bearing life.

HYUNDAI Crown Triton™ Series Motors - IEEE-841 (Continued)

TEFC Enclosure ▪ Rigid Base ▪ Three-Phase ▪ 460 Volt

HP	RPM	Voltage	Frame	Model Number	List Price	FL Amps (A)	FL Eff. (%)	Approx. Wt. (lbs.)	Notes
40	3600	460	324TS	IEEE40-36-324TS	\$6,587.76	45.5	92.4	530	
	1800	460	324T	IEEE40-18-324T	\$6,434.99	48.8	94.1	550	
	1200	460	364T	IEEE40-12-364T	\$12,127.44	48.8	94.1	780	
50	3600	460	326TS	IEEE50-36-326TS	\$7,425.47	55.8	93.0	540	
	1800	460	326T	IEEE50-18-326T	\$7,550.69	59.9	94.5	560	
	1200	460	365T	IEEE50-12-365T	\$13,149.23	60.2	94.1	840	
60	3600	460	364TS	IEEE60-36-364TS	\$11,095.64	65.6	94.1	780	
	1800	460	364T	IEEE60-18-364T	\$12,584.49	69.9	95.0	780	
	1200	460	404T	IEEE60-12-404T	\$15,627.30	71.2	94.5	1120	R
75	3600	460	365TS	IEEE75-36-365TS	\$12,675.91	79.8	94.5	820	
	1800	460	365T	IEEE75-18-365T	\$12,995.22	85.1	95.4	820	
	1200	460	405T	IEEE75-12-405T	\$17,096.14	87.0	94.5	1220	R
100	3600	460	405TS	IEEE100-36-405TS	\$15,896.54	110.1	94.5	1110	
	1800	460	405T	IEEE100-18-405T	\$19,368.85	114.1	95.4	1110	R
	1800	460	405T	IEEE100-18-405TBB	\$19,368.85	114.1	95.4	1110	BB
	1200	460	444T	IEEE100-12-444T	\$21,247.14	116.6	95.0	1530	R
125	3600	460	444TS	IEEE125-36-444TS	\$24,172.25	139.5	95.0	1610	
	1800	460	444T	IEEE125-18-444T	\$23,523.62	142.0	95.4	1530	R
	1800	460	444T	IEEE125-18-444TBB	\$23,523.62	142.0	95.4	1530	BB
	1200	460	445T	IEEE125-12-445T	\$24,655.59	147.7	95.0	1700	R
150	3600	460	445TS	IEEE150-36-445TS	\$26,577.69	161.5	95.0	1770	
	1800	460	445T	IEEE150-18-445T	\$26,627.79	163.8	95.8	1770	R
	1800	460	445T	IEEE150-18-445TBB	\$26,627.79	163.8	95.8	1770	BB
	1200	460	447T	IEEE150-12-447T	\$28,747.74	169.5	95.8	1860	R
200	3600	460	447TS	IEEE200-36-447TS	\$34,764.50	219.3	95.4	1900	
	1800	460	447T	IEEE200-18-447T	\$30,023.73	222.4	96.2	1860	R
	1800	460	447T	IEEE200-18-447TBB	\$30,023.73	222.4	96.2	1860	BB
	1200	460	449T	IEEE200-12-449T	\$34,159.70	231.2	95.8	2430	R
250	3600	460	449TS	IEEE250-36-449TS	\$41,218.29	276.6	95.8	2430	
	1800	460	449T	IEEE250-18-449T	\$37,127.39	281.7	96.2	2430	R
	1800	460	449T	IEEE250-18-449TBB	\$37,127.39	281.7	96.2	2430	BB

IEEE Motor C-Flange Kits

Frame Size	Model Number	List Price
143T / 145T	IH140TC	\$173.91
182T / 184T	IH180TC	\$218.43
213T / 215T	IH210TC	\$301.91
254T / 256T	IH250TC	\$669.22
284T / 286T	IH280TC	\$800.00
324T / 326T	IH320TC	\$1,036.54
364T / 365T	IH360TC	\$1,463.67
364TS / 365TS	IH3602PTC	\$1,463.67
404T / 405T	IH400TC	\$1,732.19
404TS / 405TS	IH4002PTC	\$1,732.19
444T / 445T / 447T / 449T	IH440TC	\$2,369.42
444TS / 445TS / 447TS / 449TS	IH4402PTC	\$2,369.42

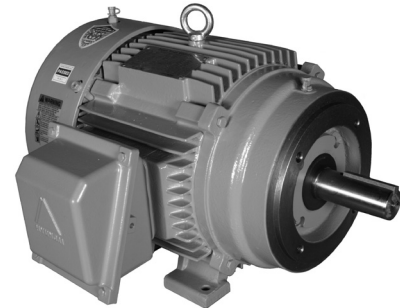
BB Ball bearing on drive-end for direct coupled applications
 R Roller bearing on drive end for belted applications

When using any motor with a variable frequency drive, take precautions to eliminate or reduce shaft currents in order to prolong bearing life.

HYUNDAI Crown Triton™ Series Motors - IEEE-841
TEFC Enclosure ▪ C-Face with Feet ▪ Three-Phase ▪ 460 Volt

Product Specifications

- 1-100 HP
- 3600 and 1800 RPM
- Single Voltage, 460 Volt
- Totally Enclosed Fan Cooled (TEFC) Enclosure
- IP55 rating with ABS Type approval
- Suitable for IP56 without ABS approval
- Dual Rated SF
1.15 for 40°C / 1.0 for 65°C
- Class F Insulation with Class N Varnish
- C-Face with Feet
- Full Compliance with IEEE-841 Standard
- Premium Efficiency
- Class B Temperature Rise
- NEMA Design B
- Parker Hannifin ProTech IP66 Labyrinth Seals on Both Drive-End and Opposite Drive-End Bearings
- Inverter Duty, 10:1 CT / 20:1 VT
- Inverter Shield Insulation and Inverter Grade Magnet Wire Meets or Exceeds NEMA MG-1 Part 31 for Exceptional Corona and Transient Protection
- IEEE-841 Motor Test Report Supplied with Each Motor
- Suitable for 50 Hz Operation with 1.0 SF
- Class 1, Division 2, Groups A, B, C, D
- All Motors Carry ABS Type Approval



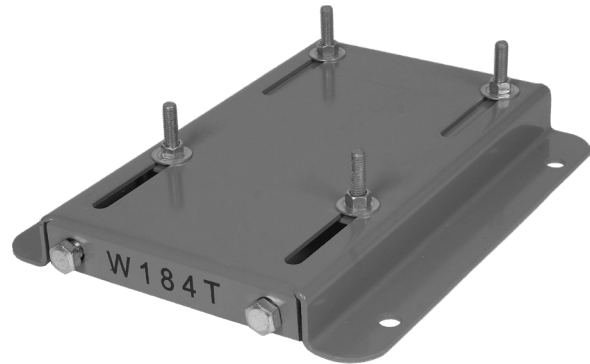
HP	RPM	Voltage	Frame	Model Number	List Price	FL Amps (A)	FL Eff. (%)	Approx. Wt. (lbs.)	Notes
1	1800	460	143TC	IEEE1-18-143TC	\$1,154.52	1.6	85.5	53	
1.5	3600	460	143TC	IEEE1.5-36-143TC	\$1,264.72	2.0	84.0	53	
	1800	460	145TC	IEEE1.5-18-145TC	\$1,233.40	2.2	86.5	55	
2	3600	460	145TC	IEEE2-36-145TC	\$1,324.82	2.6	85.5	55	
	1800	460	145TC	IEEE2-18-145TC	\$1,333.58	3.0	86.5	55	
3	3600	460	182TC	IEEE3-36-182TC	\$1,636.61	3.8	86.5	90	
	1800	460	182TC	IEEE3-18-182TC	\$1,632.84	3.9	89.5	90	
5	3600	460	184TC	IEEE5-36-184TC	\$1,833.21	6.1	88.5	105	
	1800	460	184TC	IEEE5-18-184TC	\$1,855.74	6.5	89.5	105	
	1200	460	215TC	IEEE5-12-215TC	\$2,583.26	7.4	89.5	165	
7.5	3600	460	213TC	IEEE7.5-36-213TC	\$2,267.70	9.0	89.5	150	
	1800	460	213TC	IEEE7.5-18-213TC	\$2,285.24	9.5	91.7	150	
	1200	460	254TC	IEEE7.5-12-254TC	\$3,653.88	10.3	91.0	260	
10	3600	460	215TC	IEEE10-36-215TC	\$2,483.08	12.0	90.2	165	
	1800	460	215TC	IEEE10-18-215TC	\$2,523.15	12.8	91.7	165	
	1200	460	256TC	IEEE10-12-256TC	\$4,181.05	13.8	91.0	300	
15	3600	460	254TC	IEEE15-36-254TC	\$3,703.97	16.9	91.7	260	
	1800	460	254TC	IEEE15-18-254TC	\$3,430.98	18.3	92.4	260	
	1200	460	284TC	IEEE15-12-284TC	\$5,264.20	19.8	91.7	380	
20	3600	460	256TC	IEEE20-36-256TC	\$4,124.71	23.1	91.7	300	
	1800	460	256TC	IEEE20-18-256TC	\$4,009.50	24.8	93.0	300	
	1200	460	286TC	IEEE20-12-286TC	\$5,576.00	26.7	91.7	390	
25	3600	460	284TSC	IEEE25-36-284TSC	\$4,601.80	28.5	91.7	380	
	1800	460	284TC	IEEE25-18-284TC	\$4,752.05	30.3	93.6	380	
30	3600	460	286TSC	IEEE30-36-286TSC	\$4,862.23	33.8	91.7	410	
	1800	460	286TC	IEEE30-18-286TC	\$5,334.32	36.0	93.6	410	
40	3600	460	324TSC	IEEE40-36-324TSC	\$6,861.99	45.5	92.4	550	
	1800	460	324TC	IEEE40-18-324TC	\$6,702.96	48.8	94.1	550	
50	3600	460	326TSC	IEEE50-36-326TSC	\$7,734.76	55.8	93.0	560	
	1800	460	326TC	IEEE50-18-326TC	\$7,864.99	59.9	94.5	560	
60	1800	460	364TC	IEEE60-18-364TC	\$13,109.16	69.9	95.0	780	
75	1800	460	365TC	IEEE75-18-365TC	\$13,536.15	85.1	95.4	820	
100	1800	460	405TC	IEEE100-18-405TC	\$20,176.52	114.1	95.4	1110	

When using any motor with a variable frequency drive, take precautions to eliminate or reduce shaft currents in order to prolong bearing life.

WORLDWIDE Motor Slide Bases

Product Specifications

- Bases are Provided with Washers
- Bases are Painted with an Oven-Baked Primer for Better Contact of Customer's Paint
- All "D" Bolts (Motor Mounting Bolts) are Grade 5 and Welded into Position to Prevent Spinning and "Dropping" from Slots
- All "D" Bolts are Fixed to the Exact Foot Pattern of the Motor to Aid in Easier Motor Installation
- Exact Drop-In Replacement for all Major Make Slide Bases
- Single Adjusting Screws for Frames 56-145T
- Double Adjusting Screws for Frames 182T-505T



Frame	Model Number	List Price	Approx. Wt. (lbs.)
56	W56	\$25.71	3
143T	W143T	\$49.52	6
145T	W145T	\$49.52	7
182T	W182T	\$67.35	10
184T	W184T	\$67.35	10
213T	W213T	\$100.19	15
215T	W215T	\$100.19	17
254T	W254T	\$136.48	19
256T	W256T	\$136.48	20
284T	W284T	\$153.47	24
286T	W286T	\$153.47	25
324T	W324T	\$223.30	35
326T	W326T	\$223.30	36
364T	W364T	\$310.80	49
365T	W365T	\$310.80	50
404T	W404T	\$380.73	66
405T	W405T	\$380.73	68
444T	W444T	\$430.16	74
445T	W445T	\$430.16	76
447T	W447T	\$569.00	102
449T	W449T	\$569.00	105
505T	W505T	\$884.00	137

“INSTA-MOD” Modification Program



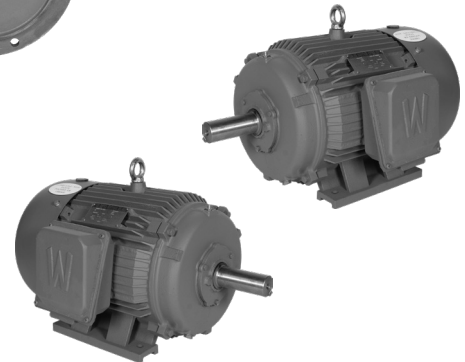
The “INSTA-MOD” Modification Program is the quickest way to get custom-built motors!

C-Flange / D-Flange Adaptation
Installation of C-Flange or D-Flange.



F1 / F2 Mount Conversion
Convert from F1 mount to F2 mount or convert from F2 mount to F1 mount.

Turn Down T to TS Short Shaft
Convert from “T” to “TS” shaft dimensions.



Space Heaters (120 or 240 Volt)
Space heaters are installed in the motor to prevent moisture or condensation from building up on the motor windings or bearings.

Winding Thermistors
Thermistors are provided and placed in the stator windings and as critical temperature is reached, the resistance of the thermistors changes radically, causing operation of the control relay.



Bearing / Winding RTDs
Resistance Temperature Detectors are installed in the windings or at the bearing journals to measure the internal temperature rise of the components to assist in preventing thermal damage to the motor windings or bearings.



Bearing Change
Change roller bearing to ball bearing or ball bearing to roller bearing.

Insulated ODE Bearing
Opposite drive-end bearing is insulated to prevent circulating current damage to the bearing.



Current Diverter Ring
Provided and installed to protect your motor bearings and coupled equipment from damaging electrical currents.

IEEE / Washdown - White Epoxy Paint
Suitable for use in USDA inspected facilities. Conforms to AWWA D102 Outside Coating Systems: #4 (OCS-4), #5 (OCS-5) and #6 (OCS-6)

Fungus Protection / Tropicalization
Protection of windings, electrical and mechanical parts of motor from tropical environments.



Please call for additional modifications and explosion proof modifications not seen above.

Warranty Policy

14

WORLDWIDE
Reference

Warranty Length

The warranty length for WorldWide Electric Motors is as follows:

WorldWide Fractional HP Motors

General Purpose Motors	Two (2) years from date of sale (invoice)
Jet Pump Motors	Two (2) years from date of sale (invoice)
Stainless Steel / Washdown Duty Motors	Three (3) years from date of sale (invoice)
Permanent Magnet DC Motors	One (1) year from date of sale (invoice)

WorldWide Farm Duty Motors

Two (2) years from date of sale (invoice)

WorldWide Premium Efficient Stainless Steel Motors

Two (2) years from date of sale (invoice)

WorldWide Open Drip Proof (ODP) Motors

Two (2) years from date of sale (invoice)

WorldWide Premium Efficiency Motors (PEWWE)

1-200 HP	3600 and 1800 RPM	Three (3) years from date of sale (invoice)
1-150 HP	1200 RPM	Three (3) years from date of sale (invoice)
3-300 HP	900 RPM	Two (2) years from date of sale (invoice)
200 HP	1200 RPM	Two (2) years from date of sale (invoice)
250-500 HP	3600, 1800 and 1200 RPM	Two (2) years from date of sale (invoice)

WorldWide Explosion Proof Motors

Two (2) years from date of sale (invoice)

WorldWide Advanced Design Rock Crusher Motors

Two (2) years from date of sale (invoice)

WorldWide Oil Well Pump Motors

Two (2) years from date of sale (invoice)

WorldWide Close Coupled Pump Motors

Two (2) years from date of sale (invoice)

WorldWide Vertical Hollow Shaft Motors

Two (2) years from date of sale (invoice)

LAM IEEE 45 Marine-Duty Motors

Three (3) years from date of sale (invoice)

WorldWide IEC Aluminum Frame Motors

Three (2) years from date of sale (invoice)

HYUNDAI G2 Motors (HEE Series)

Three (3) years from date of sale (invoice)

HYUNDAI Severe Duty Motors

Three (3) years from date of sale (invoice)

HYUNDAI Severe Duty Large Frame Motors

Three (3) years from date of sale (invoice)

HYUNDAI IEEE 841 Motors

Five (5) years from date of sale (invoice)

WorldWide Motor Slide Bases

Three (3) years from date of sale (invoice)

Warranty Policy

Warranty Procedure

ALL MOTORS WITH THE EXCEPTION OF IEEE-841, EXPLOSION PROOF AND VERTICAL HOLLOW SHAFT MOTORS:

1. Motors up to and including 286T are covered by our nameplate only policy. If the motor has failed due to a manufacturer's defect within the warranty period, the customer must complete the NAMEPLATE WARRANTY CREDIT REQUEST FORM, attach the nameplate to the completed form and mail to WorldWide Electric for credit (photo of nameplate required for stainless steel / washdown duty motors). **Please note, the Nameplate Warranty Credit Request Form should be mailed via certified mail.** WorldWide Electric shall not be liable for any labor or operating costs connected with the replacement of the motor. The purchaser shall be responsible for any transportation charges connected with the replacement of the motor. This warranty is offered one time per end user, per application. If there are additional failures, please follow our normal warranty policy.
2. Motors 324T and above must be inspected by an authorized EASA service center or other approved motor shop for determination of cause of failure. Authorized EASA service centers are available inside and outside of the United States. Visit the EASA website at www.easa.com to find the nearest authorized service center. These shops may also be able to assist with non-warranty service.
3. The service center must provide a written estimate for inspection and a purchase order must be issued by WorldWide Electric prior to the motor inspection.
4. After completion of the motor inspection, the service center must complete the WARRANTY REPAIR REPORT, attach detailed photographs of the failure and e-mail to WorldWide Electric for review.
5. If the failure is determined to be from a defect in material or workmanship when operated under normal conditions and in accordance with nameplate characteristic limits, WorldWide Electric shall either repair or replace the motor, at the company's discretion. WorldWide Electric shall not be liable for any labor or operating costs connected with the repair / replacement of the motor.
6. Should WorldWide Electric choose to repair the motor, the service center must provide a written estimate for repair and a purchase order must be issued by WorldWide Electric prior to the repair being performed.
7. Should WorldWide Electric choose to replace the motor, the purchaser shall be responsible for any transportation charges connected with the replacement of the motor.
8. All warranties, regardless of frame size / motor size will be subject to WorldWide Electric's final approval.

ALL IEEE-841, EXPLOSION PROOF AND VERTICAL HOLLOW SHAFT MOTORS:

1. Motors must be inspected by a UL certified / authorized EASA service center for determination of cause of failure. Authorized EASA service centers are available inside and outside of the United States. Visit the EASA website at www.easa.com to find the nearest authorized service center. These shops may also be able to assist with non-warranty service.
2. The service center must provide a written estimate for inspection and a purchase order must be issued by WorldWide Electric prior to the motor inspection.
3. After completion of the motor inspection, the service center must complete the WARRANTY REPAIR REPORT, attach detailed photographs of the failure and e-mail to WorldWide Electric for review.
4. If the failure is determined to be from a defect in material or workmanship when operated under normal conditions and in accordance with nameplate characteristic limits, WorldWide Electric shall either repair or replace the motor, at the company's discretion. WorldWide Electric shall not be liable for any labor or operating costs connected with the repair / replacement of the motor.
5. Should WorldWide Electric choose to repair the motor, the service center must provide a written estimate for repair and a purchase order must be issued by WorldWide Electric prior to the repair being performed.
6. Should WorldWide Electric choose to replace the motor, the purchaser shall be responsible for any transportation charges connected with the replacement of the motor.
7. All warranties, regardless of frame size / motor size will be subject to WorldWide Electric's final approval.

Return Policy

14

WORLDWIDE
Reference

1. All WorldWide Electric products (electric motors, motor controls and gearing products) that are purchased as normal stock items may be returned, with freight to be paid, back to the closest WorldWide Electric warehouse by the customer.
2. Any returned products must be new, undamaged and in original cartons/packaging. Final credit will not be issued until WorldWide Electric has verified the products/shipping cartons as such.
3. All RGA requests must be made within 90 days of original purchase.
4. If the returned products were ordered incorrectly by the customer, 20% will be levied as a restocking charge which carries a minimum \$75 charge.
5. If the customer places an order equal to or greater than the goods being returned, then the restocking charge will be 10% (minimum \$75 charge).
6. If the product being returned was originally shipped to the customer prepaid and allowed, the original freight charge will be deducted from the return credit.
7. If the returned products are not in original condition (as well as the packaging), there will be additional fees applied to repair and/or replace those parts/products.

Freight Terms / Programs / Services

Freight Terms

Freight terms are as follows on all orders shipped from any of our warehouses. All products can be assorted from all three divisions; motors, controls and gearing.

\$5,000 +	Truck - Prepaid and Allowed
\$1,000 - \$4,999	Truck - 10% of Invoice - Prepaid and Add
\$0 - \$999	Truck - \$100 Minimum - Prepaid and Add

FedEx / UPS may be utilized for shipments under 100 lbs. and billed on a prepaid and add basis (excluding cast iron motors and gear reducer products). Customers may always choose to have their shipment sent freight collect.

Special Freight Prepaid Programs

56-Frame Motors	25 + Pieces Assorted - Prepaid and Allowed
Slide Bases	25 + Pieces Assorted - Prepaid and Allowed

Orders may be picked up from any of our warehouses as a will call. We would prefer a one-hour advance notification for orders to be picked up. However, allowances will be made for special rush and urgent situations. Freight terms are as follows on all orders shipped from any of our warehouses.

Additional Freight Services

Delivery Appointment	\$ 65.00
Liftgate Delivery	\$200.00
Residential Delivery	\$125.00
Expedited Delivery	Please Call for Quote



WORLDWIDE
ELECTRIC CORPORATION



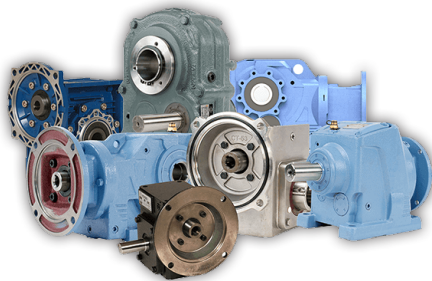
Designed for demanding applications at affordable and competitive prices.

Industrial Products
Proven Quality



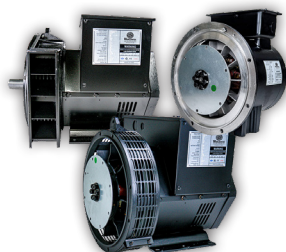
Motor Controls

- Variable Frequency Drives
- Soft Starters
- Across the Line Starters
- Remote Operating Modules
- Pre-configured/Customizable Cabinets and Panels
- Pilot Devices, Safety Switches, Contactors & Relays



Gear Reducers

- Helical Inline Gear Reducers
- Parallel Shaft Helical Gear Reducers
- Shaft Mount Reducers
- Worm Gear Reducers
- Accessories and Kits



Generators

- Single Bearing
- Double Bearing
- Pancake

Discover More Capabilities with Worldwide Electric's Family of Brands



2023

Electric Motors Stock Products Catalog

Document No: MD-CAT-04.2023



WorldWide
ELECTRIC CORPORATION

**INCREDIBLE PRICING.
24/7 ONLINE ORDERING.
(OH, AND THEY'RE IN STOCK TOO.†)**

Call us today at **(800) 808-2131**
or browse our complete product lines at **worldwideelectric.com**.



worldwideelectric.com

WorldWide Electric Corporation
3540 Winton Place
Rochester, NY 14623

† While most products are in stock in one of our distribution centers, certain conditions may lead to temporary stock shortages.